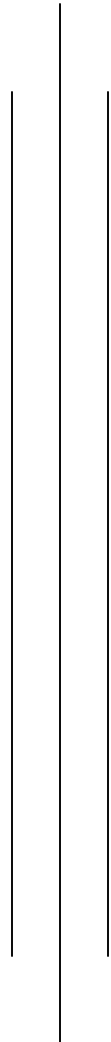


pBfŭ kzf; g lbbzg, @)^)



>l % sf]; /sf/  
pBfŭ j fl0fHo tyf ckl't {dGqfno  
3/h' tyf ; fgf pBfŭ lj efu

lqk'Zj /, sf7df08f)+  
knfŭ g=\$@%(\*\$@÷\$@%(\*\$^÷\$@%(\*%% knfŭS; g=(&&-)!-\$@%(&\$&  
jē kh [www.dcsi.gov.np](http://www.dcsi.gov.np)

# 3/ħ' tyf ; fgf pBfũ kẏf; g lbubzġ, @)^

## 3/ħ' tyf ; fgf pBfũ lj efusf]; Hfkt lrgf/L

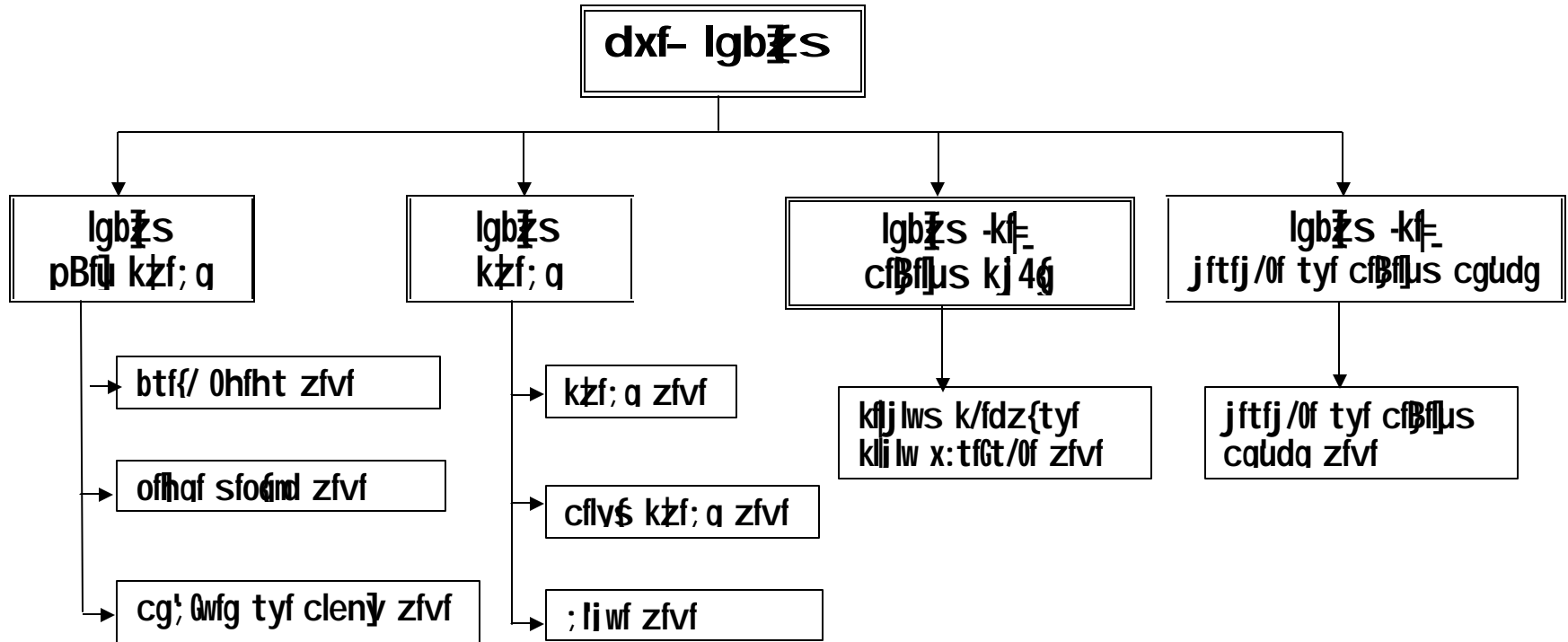
cfBfũus glit @)\$ ( n]gkfnf cfBfũus/0fsf] ultnf0{ t]j tġ Nofpg 3/ħ' tyf ; fgf pBfũsf]lj sf; nf0{pRr kfyldstf lbPsf]5 . ; /sf/n]clũsf/ u/\$f]cfBfũus glit sf] sfofġogsf nflu pkoQm cfBfũus jftfj/0fsf]l; hġf ug{cfBfũus Joj ; fo Pġ, @)\$ ( sfofġogdf /x\$] 5 . cfBfũus glitn] clũsf/ u/\$f] tyf cfBfũus Joj ; fo Pġáf/ Joj:l:yt 3/ħ' tyf ; fgf pBfũ ; Dj Ğwl sfoġ? ; ģfng ug{lh)df pBfũ, j fl0Ho tyf cfklt{ dġafno cġt/utsf]3/ħ' tyf ; fgf pBfũ lj efun]lgj fġ ub{cfPsf]5 . 3/ħ' tyf ; fgf pBfũ lj efusf]; flj s ; ģ7g ; Ąrgdf ; d; fdlos kl/j tġ u/L @)\$ ( sflt\$blv lj efusf] j tġfg; ģ7gflds : j?k sfod 5 . 3/ħ' tyf ; fgf pBfũ lj efun]clw/fHosf] &% lhNnfd f 3/ħ' tyf ; fgf pBfũ kẏf; g ; Dj Ğwl sfo{/ clw/fHosf @& lhNnfd f 3/ħ' tyf ; fgf pBfũ k]4ġ ; Dj Ğwl sfoġ? ; dġ ug{u/L sfo{lfġ tfl]sPsf]5 .

3/ħ' tyf ; fgf pBfũ lj efu cġt/ut sġblo :t/df 3/ħ' tyf ; fgf pBfũ klzlf0f sġb|/x\$]5 eg]t/f0\$ f @) lhNnf, sf7df8f; n]ntk', eQmk', sfe] sf:sl, kflNkf / bfĒ u/L h)df @& lhNnfd f lhNnf:t/lo sfofġo /x\$] 5g\ . 3/ħ' tyf ; fgf pBfũ sfofġo sf7df8f; cġt/ut sġblo sf/fuf/ sf/vfgf /x\$]5 . o; lj efusf]sġblo :t/j f6 cfBfũus k/fdz{; jf, cfBfũus :sldx? tof/ pBfũx?sf]kl]j lws lj Zn]f0f, kl]j lws ; xofũ pBfũsf] 0ġfht, bt{ / glj s/0f tyf pBfũsf] ; lj wf Pj +; xlnot ; Dj Ğwl sfo{ePsf 5g\eg] cfBfũus ; Def]otf, lj leġ tflnd sfoġmdx? pBfũ ; ģfngdf kl]j lws ; xofũ, pBfũ cġludg / pBfũ kẏf; g ; Dj Ğwl sfoġ? ; dġ lhNnf l:yt sfofġoaf6 xġ] u/\$f 5g\ . lj efu tyf lj leġ sfofġox?j f6 kġfg ul/g]; jnf0{f56f]5l/tf]; j { he / kf/bzl{agfpg] p2]on]tl ; jfx?sf]lj :tġ hfgsf/L ; j { fwf/0fx?nf0{xġ] u/L gful/s j 8fkq sfofġogdf /x\$]5 . hġ j 8fkq cg'; ĤL # \$ df ; mġg 5 .

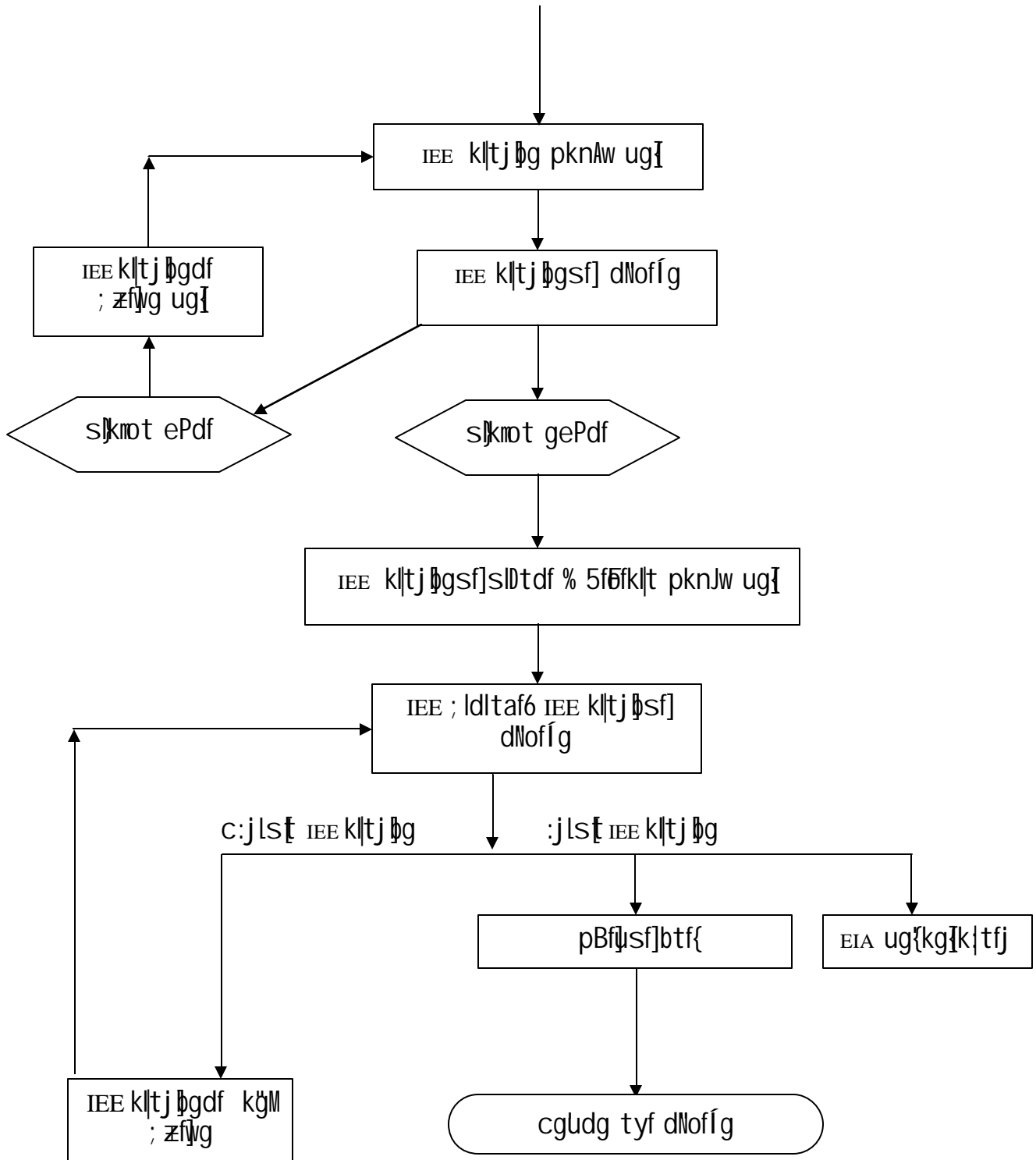
o; lj efu / cġt/ut sfofġox?df lj leġ txsf kẏf; lgs tyf kl]j lws sd{f/L u/L h)df \$!@ hfgsf] :yfol b/j Ğbl sfod /x\$] 5g\eg] xft] sfuh, l; nf0{ 5fnf j :t' pTkbfg, ; jf]ds nufot klzlf0f sfoġmd ; ģfng ug{lj efu dftxtsf] 3/ħ' tyf ; fgf pBfũ klzlf0f sġbdf pNn]vt sfoġmdx? ; ģfng ug{; fnj ; fnl ?kdf sfod /xġ]lj leġ %! hġ txsf c:yfol b/j Ğbl sfod /x\$] 5g\ b/j Ğbl lj j/0f cg'; ĤL ## df pNn]v 5 .

; u7g tflnsf

### 3/h' tyf ; fgf pBfū lj efu







**!= k|tfjgf**

pBf]usf]:yfkqf, lj:tf/, cfwlgsLs/Of ug{Pj +pBf]unf0{pknAw u/f0g] ; ljwf tyf ; xlnotx?df pbf/ Pj +; /n Joj :yf ug{ pBf]ux?sf]:yfkqf, lj:tf/ Pj +lj lws/Of ubf{ kof]/Ofdf kgI kltsH kfej nf0{Gog ugIpkfox? cjndag ug{ pBf]uaf6 jftfj/Of, a; fzf; lfg, /fli6e ; Dkbf cflbnf0{kgIc; /x? sd ug{

bzsf] cy{Gqsf] ; dlrt ljsf; sf nflu cfBf]us nufglsf] jftfj/Ofnf0{ a9L ; ljwfHgs, ; /n / pI; fxaw\$ agf0{pIkfbsIjdf clea[4 u/L kl|t:kwf{ds 9uaf6 cfBf]us Joj ; fox? km6fpg]Joj :yf ug{

cfBf]us gllt, cfBf]us Joj ; fo Pq tyf jftfj/Of ; Af0f Pq lgoddf pNn]vt p2Z0 xfl; n ug{

pBf]u kzf; g cftuf kgI cgdlt, btf{ Pj +; ljwf tyf ; xlnotx? ; /n tyf kfej sfl/tfsf ; fy sf0f]og ugI k\$pfnf0{Jojl:yt / Plsst ug{Pj +Ps ?ktf Nofpg cfjZos ePsf]h]cfBf]us kj4g af\$ {Psaf/ ; ldt Pj +3/h' tyf ; fgf pBf]u ljeuaf6 eP u/\$f lg0f6, kl/kq tyf pBf]u kzf; g lgb]zsf, @)%\* ; d]nf0{ ; df0fhg u/L 3/h' tyf ; fgf pBf]u ljeun]b]fo adf]hdsf]pBf]u kzf; g lbubzg, @)^) agf0{hf/L u/\$f]5 . pBf]u kzf; g lgb]zsf @)%\* vf/h ul/Psf]5.

**@= k|De**

cfBf]us Joj ; fo Pq, -; zfwg ; lxt\_ @)\$ ( cfBf]us kj4g jf\$]f6 eP u/\$f lg0f6x?,defno tyf ljeufj6 ljeleg ldltdf ePsf kl/kqx? ; d] ; dfjz ul/ pBf]u kzf; g lgb]zsf, @)%\* nf0{vf/h u/L pBf]u kzf; g lbubzg, @)^) nfu"ul/Psf]5 .

# kl/efiff tyf JofVof

## #= kl/efiff

!= æPðÆ eġgn]cfBfl]us Joj ; fo Pð, @)\$ ( nf0{hgfp5 .

@= ælj efuÆ eġgn]3/h' tyf ; fgf pBfl] lj efunf0{hgfp5 .

#= æafðÆ eġgn]Pðsf]bkrf !@ adfl]nd ul7t cfBfl]us kj 4g afðnf0{hgfp5 .

\$= æ; Dalġwt sfofnoÆ eġgn]lj efu cġtuġsf 3/h' tyf ; fgf pBfl] sfofno, 3/h' tyf ; fgf pBfl] lj sf; ; ldl t cġtuġsf lhNnf :t/lo sfofno ; d]nf0{hgfp5 .

%= æIEEÆ (Initial Environmental Examination) eġgn]kl/Des jftfj /0flo kl/lf0nf0{hgfp5 .

^= æEIAÆ (Environmental Impact Assessment) eġgn] jftfj /0flo kġfj dNofġgnf0{hgfp5 .

## \$= sfofġ og ugġġgsfo

of]lbbzġ lj efu / ; Dalġwt dftxtsf sfofno?n]dfuġzġsf]?kdf sfofġ og ugġġg\

# pBf]usf]j ul\$/of

## %- pBf]usf]j ul\$/of

Pg]sf] bkrf # cg; f/ pBf]unf0{ pBf]usf] k\$[tsf] cfwf/df b]fo adf]hd pTkfbgdhs, phf]hs, s]if tyf aghGo, vlgh, koGg, ;]f / lgdf] pBf]usf] ?kdf j ul\$/of ul/Psf]5 .

## %! pTkfbgdhs pBf]

sf]f dfn jf cw{kz]fw]t dfn jf v] u0{x\$]f] dfn; fdg]sf] jf cGo dfn ; fdg k]f]v] jf kz]fw]g u/L dfn; fdg pTkfbg ug].

hDaf]/f]haf6 sl6E, l:nl6E, sGkn]6L6E, k/kmf]7]6E, :olhE tyf SoflkE u/L tof/L knf]f]v]flkms lkn]d /f]h tof/ ug] / kofs ug] hDaf]/f]h cfoft u/L sl6E l:nl6E cflb k\$]f k/f u/L l; g]f]f]v]flkms lkn]d, d]Bsn tyf cfBf]us PS; /] lkn]d, u]flkms cf6{lkn]d, knf]f]v]flkms k] / pTkfbg ug] tyf kofg s\$ agfpg]pBf] .

-ldlt )%\$. \$ sf]/fhkq af/f yk\_

## %@ phf]hs pBf]

hn>f]t, jfo'; ; f]z]lQm sf]nf, k]s[ts t]h, llofF, jfof]llofF tyf cGo >f]x?af6 phf]{k]f ug].

## %# s]if tyf aghGo pBf]

dhtM s]if jf jg k]f]j/df cfwf]/t Psls] lsl; dsf /]zd v]l tyf /]zd pTkfbg, kmk]th v]l tyf kmk]th kz]fw]g, kzk]ng, 8]l pBf], sv/f k]ng, d]ok]ng, lrof v]l tyf kz]fw]g, slkm v]l tyf kz]fw]g, h8la6l v]l tyf kz]fw]g, t/sf/Lsf alpm]lhg pTkfbg, Rofp, t/sf/L v]l jf t/sf/L kz]fw]g, gof] k]j]lwaf/f lj?jf pTkfbg ug] pBf] -l6:o\$Nr/\_ , lug xfp; , df]l k]ng, dx pTkfbg, /a/ v]l, k]th v]l tyf pTkfbg, salnotl ag, Puf]km/]6k cflb Joj ; flos ag ; DaGwl Joj ; fox; . -cf] Joj= P] @)\$(

askf; v]l, skf; / skf; sf]lj p pTkfbg tyf kz]fw]g ug]

-ldlt )%\$. \$ sf]/fhkq af/f yk\_

s\_ Joj ; flos ?kdf ul/g]kmk]th tyf gub]jfnlsf]v]l

v\_ Jofj ; flos ?kdf ul/g] a]j]f+ tyf lgufnf\$] v]l / ; f]af6 h:tf]x?sf] pTkfbg ug]sfo{

u\_ rNnf sf6g]Joj ; fo

3\_ jg:klt pBfg :yfkf, ; Af0f tyf Joj :yfkf

-ldlt )%(.^ sf]/fhkq af/f yk\_

**%-\$ vlgh pBfũ**

vglh pŕvvgg j f kŕfũwg ugŕ. -cfŕ Joŕ= Pŕ @) \$(

**%-% koŕg pBfũ**

koŕg cfjf; , dfŕh, xfŕh /ŕ6/fF l/hfŕ{ 6ken Phŕ; L, :sl0E, Unf0l8E, j f6/ ŕofl^6^a, s] nsf/ sDkn\$; , kfŕl 6ŕs^a, kboŕqf -6ŕs^a, x6 Po/ Jofnlg^a, Kof/f ; ŕh^a, uŕlkm sf] { kfŕh] cZj f/fxŕof -x; {/f0l8^a\_ cflb Joj ; fox? .

dgfŕ-hg kfs{lgdfŕf tyf ; ŕfng ugŕJoj ; fo . -ldlt @)%^(.@^ sf]/fhkq  
áf/f yk\_

uŕldŕof koŕg

-ldlt )%\*.%.@! sf]/fhkq áf/f yk\_

cŕo ; fxl; s 6l/Hd Joj ; fo -ldlt @)%^(.@^ sf]/fhkq áf/f yk\_

**%=-^ ;j f pBfũ**

sfoŕfnf -j sŕk\_, 5fkfvfgf, k/fdz{ ; j f, lhlg^a tyf j ŕhE Joj ; fo, rnlrq Joj ; fo, lgdfŕf Joj ; fo, ; fj ŕlgs kl/j xg Joj ; fo, kŕfŕfũkml, c:ktn, gl; ŕ xfŕ, lzlfŕf Pj +klzlfŕf ; ŕyf, kŕfũzfnf, xj f0{ ; j f, zlt e08f/ cflb Joj ; fox? .

; fj ŕlgs kl/j xg cŕt/ut 9j fgl Joj ; fo ; dŕ kgŕePsfŕh]btf{ugŕ-

-ldlt )%\*.@.#! sf]lj efulo lgbŕg\_

kŕfũwg j f kŕŕf gu0o ?kdf xg]s6 6' nŕy l; 6, kŕfŕf]lknld l:nl6E, kŕfŕf]kŕ/ l:nl6E, l6:o"kk/ l:nl6E, an lj ol/E P; ŕJnl tyf jNs ?kdf tof/L ; fdg cfoft ul/ l/KoflsE ugŕh:tf ; j f Joj ; fox? .

-cfŕkŕfŕ{() cfŕaŕs áf/f yk+

!= cfjf; ejg lgdfŕf u/l lj qml lj t/of ugŕJoj ; fo,

@= 6ŕhknŕfŕ ; j f -; ŕh/ 6ŕhknŕfŕ, df]f0n 6ŕhknŕfŕ, kŕh^a 6ŕhknŕfŕ ; j f\_ / 6ŕhlehg k| f/of ; j f -:of6nf06 6ŕhlehg k| f/of j f sŕh 6ŕhlehg k| f/of\_

#= sk8f tyf ofg{8f0E, ofg{ ; f0lh^a / sk8fdf lkŕ6E ugŕJoj ; fo -sk8f aŕg] pBfũn]cf^g}kŕfŕhgsf]nflu u/ŕŕf afxŕ\_ .

-ldlt )%\*.@! sf]/fhkq áf/f yk\_

æSDkoŕ/ ; ^6j ŕ/E .

-ldlt )%#.!!) sf]/fhkq áf/f yk\_

!= lj Bt tyf Jofkaf6 ; ŕfng xg] tlg kŕu] / rf/ kŕu] ; fj ŕlgs kl/j xg ; ŕfng ugŕpBfũ,

@= pk/fQm ; fj hlgS kl/j xgsf]nflu cfj Zos kgI Jof6k rflh[sf] ; Jf kþfg ugI pBfU, -

-ldlt )%#.#.#! sf]/fhkq áf/f yk\_

!= a\$ tyf ljIQo ; :yf, pBfU, xfbh, sfoffo ejg, sðg]ts lgofU tyf cfjf; lo ejg cflbdf ; /lff ; Jf k%ofpg]p2]o /x\$]JoJ ; fo,

@= lj 1fkg ; fdfull pTkfbg u/L lj 1fkg PhU; Lsf]?kdf sfd ugIJoJ ; fo,

#= k\$fgz JoJ ; fo,

\$= Pn= lk= UofF I/lkmlnE ugIJoJ ; fo,

%= l8lh6n k\$pf4f/f gS; f agfpg]JoJ ; fo,

^= 6]nlehgd f kzf/of xg] 6]n8kdf, 6]nlnkmln lj 1fkg, :jf:Yo lzIff ; DaGwl sfoqmd tyf c? 8sdU6/L lknmln lgdfQf tyf kzf/of ugI

&= df/sf/ tyf 6]kf] cflb ; jf/L ; fwgdf Pn= lk= UofF I/lkmlnE l8kf]:yfkfg ugIJoJ ; fo,

\*= /l8of]kzf/of :6zg v8f u/L /l8of]kzf/of ugIJoJ ; fo

-ldlt @)%%.\$. \$ sf]/fhkq áf/f yk\_

sfufIJoJ ; fo

-ldlt @)%^!!!.^ sf]/fhkq áf/f yk\_

-!\_ lgdfQf ; Dj Gwl xþL O[Sj kdU6 ef8f dd[ tyf ; #fng ; Jf

-@\_ JoJ ; flos ?kdf ul/g]kz'IrlsT; f ; Jf

-#\_ dfgj ; jf:Yof]krf/ ; Dj Gwl 8fO]gfl]:6s ; le{ h

-\$\_ ; ef ; Ddhg ejg ; #fng, 9n tyf kmx/ dhf ; \$ng / lj sf; vfg]kfgl cflkt{ OGwg tyf OGwghGo Uof; cflkt{sf]kf0knf0g ; #fng, ufþfd 3/ tyf e08f/g ; #fng, lj dfg:yn ; #fng, :kf{ sDkn\$ ; ; #fng, /fkj] ; Jf -/Hhdfu{ ; #fng, ; 8s ; #fng, l; #f0{ ; #fng, phf{k} f/g uX ; #fng, /lj] ; #fng / pNn]vt JoJ ; fo ; #fng ubf{ul/g]kgI; Def/ uX

-ldlt @)%(@.^ sf]/fhkq áf/f yk\_

-!\_ hnkl/j xg (Shipping)\_ JoJ ; fo

-@\_ Kofs]hE÷I/lkmlnE ; Jf, sl/o/ 6]nknfU l; :i6d ; Jf, 8k0{ISng; { Sopf6l/.E ; Jf, lel8of]cl8of]/\$l8E ,le:of6 OG6/gþ ; le{ , Jol6 kfn{, ef8fdf vfBfgg sðfgl, lk; fgl / k]hfgl ugI sfo{ OG6]o/ 8\$]7zg, l; l8/fþ /\$l8E,

-ldlt @)%\*%.@! sf]/fhkq áf/f yk\_

OgNof08 ISno/lj; l8kf](Inland Clearance Dep[ot) Joj :yfkq / ; #fnfg  
-@)%\*.!)!.! sf]/fhkqáf/f yk\_

**%=& lgdf@f pBf@**

; 8s, kh, /fkj ] /lj ] 6kna; , 6gh, ^nf0<sup>a</sup> allh tyf cfBflus, Jofkfl/s Pj +  
cfj f; sDkn\$; cflb lgdf@f u/L ; ~rfng ug]

clk m; Pj +cfj f; sDkn\$; cflb lgdf@f u/L ; #fnfg ug].

-ldlt )%#.!.!) sf]gkfn /fhkj qáf/f yk\_

lgDg Joj ; fo lgdf@f pBf@df j lu\$/of ul/Psf]5 .

!= ; ef ; Ddihg s]b\$]k] f@f/ lgdf@f, Joj :yfkq tyf ; #fnfg .

@= 9n tyf lgsf; sf]k] f@f/ lgdf@f Joj :yfkq tyf ; #fnfg .

#= vfgkfgl kf0k nf0g cfl't{ug]k] f@f/sf]lgdf@f, Joj :yf tyf ; #fnfg

\$= 0@wg tyf llof+ cfl't\$]kf0k nf0g h8fgsf]k] f@f/sf]lgdf@f Joj :yf  
tyf ; #fnfg .

%= l; #f0\$]k] f@f/ lgdf@f Joj :yf / ; #fnfg .

^= phf{3/ tyf phf{kzf/of nf0gsf]k] f@f/ lgdf@f Joj :yf / ; #fnfg .

-ldlt @)%(@.^ sf]/fhkq áf/f yk\_

# pBf]usf]:t/ lj efhg

## **^= pBf]usf]:t/**

cfBf]us Joj ; fo P]gn]pBf]unf0{3/h' pBf]u, ; fgf pBf]u, dem]nf pBf]u / 7hf pBf]usf] ?kdf :yfgf ug{kfp]g]u/l b]xfo adf]hnd pBf]usf]:t/ lgwf{0f u/{f]5 .

## **^= 3/h' pBf]u**

P]gsf]bkrf \$ ; u ; DalGwt P]gsf]cg'; 'L ! cg'; f/ b]xfo adf]hndsf pBf]ux?nf0{ 3/h' pBf]u elg kl/eflft ul/Psf]5 .

æ>ddhs, b]zsf]k/Dk/f, snf / ; s[t; u ; Da4 vf; zlk jf :yfglo sRrf kbfy{ / ; fwg kl/rfng ug[k/Dk/fut lsl; dsf r/f, lj 8l, l; uf/, vfg]; 'tl{ v]l / ; lt{ dVo sRrf kbfy{ xg]o:t}k\$ f/sf c]o j:t' p]tkfbg ug[pBf]u, dlb/f jf lj o/ p]tkfbg ug[pBf]u afx\$ xft]tfg, v]s]tfg, cw{:j r]lnt tfg, jflk# /E]f0 / 5kf0{ l; nf0{-tof/l kf]zfs afx\$, agf0{/f8l, kfvl, pm]l un]f, klZdgf, pm]l kf]zfs, l; sdl{sfo{sf7sf snf]ds j:t' p]tkfbg, afF a] / lgufnf]; DaGwl sfd, k]s[ts /zaf6 j:t' p]tkfbg, xft]sfuh / To; af6 ag\$]j:t'; g, rf]l, lkQn, tfdf, lsd]tl tyf cw{l]sd]tl k]y/ nufotsf lkml]u/l ; fdfg, uxgf, dl't{ efBf cflb agfpg] sfo{ dx, Ro'/L, cn]l k]z]wg, df6f] lrlgofFdf6f]af6 efBf agfpg] sfo{ 5fnf sf6] ; s]fpg] u]dl0f 6]flg<sup>a</sup> / 5fnfsf j:t' p]tkfbg ug[pBf]u sfo{ ; gkf6, afl]of] r]f, ; lt wfuf]cflbsf ; fdfg p]tkfbg, xf8 l; <sup>a</sup>sf snf]ds ; fdfg p]tkfbg, 9E]df s]l agf0Psf ; fdfg, l]qsnf, kf]f, afl6s, wk, k'tnl, v]h]f pBf]ux? / b0{ nf v ?k]f]Dd l:y/ h]y] ePsf s]l/ pBf]u E

## **b]6Ao M**

-!\_ lj z]f ?kdf p]Nn] u/{f]df afx\$ d]lysf pBf]ux?df ; -r]lnt dl]zgn]sh kfF lsnf] f6e]bf a9l lj B't\df/ jf l8hn jf k]k] jf qn]Bcfon Ol]hg zlQm k]f]u u/{f]xg'x]g . o; kl/k]fdf kfj/n] 3/h' pBf]u c]tu] kb]g .

-@\_ dl]zgaf6 pm]l wfuf]sf]g] tyf dl]zgaf6 pm]l un]f p]tkfbg ug[pBf]ux?sf] :yfgfy{cgdl]t lng'kg\$ .

t/ cfBf]us kj4g jf\$]l]dl]t )%&.@.^ df j; \$]!%\$ cf]j]sssf]lg0f6 g= @ df ædl]zgj]f6 p]l wfuf] p]tkfbg ug[pBf]u :yfgf ug{0hfht k]fg ug[p]l]Gw k]t]j]df 5nk]m x]f o:tf pBf]ux?j]f6 g]k]nsf]un]f pBf]ux?df kg{ ; Sg]gsf/]ds k]fj ; d]nf0{b]l]6ut u/l gof+0hfht k]fg gug]gl]t lng] lg0f6 ePsf]5 .

#\_ r'/f\$, lj 8L, l; uf/, vfg]; 'tl{ v\$gl / ; 'tl{dVo sRrf kbfy{xb]o:t}k\$'/sf  
cGo j :t' pTkfbg ug]pBf]u, dlb/f jf lj o/ pTkfbg ug]pBf]usf]l:y/ h]yf b0{  
nfv ?k\$' dfq eP klg sl6/ pBf]u c\$tu\$ kg]5\$g\

b]6JoM

3/h' pBf]udf j lu\$[ pBf]un] % ls=jf= eGb a9L lj B't zIQm k\$fu u/df  
k\$lsf]cfwf/df ; fgf÷dem]nf÷7hf pBf]usf]j udf btf{ug{; lsg].

**^=@ ; fgf pBf]u**

P\$sf]bkrf % cg'; f/ tlg s/f\$ ?k\$'Fd l:y/ h]yf ePsf]pBf]u .

**^=# dem]nf pBf]u**

P\$sf]bkrf ^ cg'; f/ tlg s/f\$ ?k\$'Egb a9L bz s/f\$ ?k\$'; Dd l:y/ h]yf ePsf]  
pBf]u .

**^=\$ 7hf pBf]u**

P\$sf]bkrf & cg'; f/ bz s/f\$ ?k\$'Egb a9Lsf]l:y/ h]yf ePsf]pBf]u .

**&= pBf]usf]l:y/ h]yf**

P\$sf]bkrf \* n]pBf]usf]l:y/ h]ydf b]fosf rn jf crn ; DklQx? ; dfj z ug{kfpg]  
u/l t\$]f]5 .

!\_ hdlg / hdlg ; wf/ -h:t}hdlg ; Dofpg] kg] kvfh nufpg]h:tf sfo{?\_

@\_ :ynlo e]ts k]f{f/x? -h:t}9n lgsf; , cftl/s ; 8s\_

#\_ sfofho, sf/vfgf ejg, uf]fd 3/, lj B't lj t/of, kfgl lj t/of Joj :yf tyf cfjf;  
ejgx?,

\$\_ oGq pks/of tyf cf]hf/x?,

%\_ kl/j xgsf ; fwgx?,

^\_ lj B't pks/of tyf sfofho pks/ofx?,

&\_ kmgf/ lkn\$ :r/ ; #f/ Joj :yf tyf pks/ofx? .

pkoQh ; DklQx?sf c]tl/Qm pBf]udf nufgl xgeGb c]3 jf lgdff r/ofsf] lj leGg  
cj:yfdf xb]jf ePsf]k\$ls[ ul/g]k]j lws k/fdz{/ ; kl/j]f0f vr{ k] {nufgl / k] {  
; #fng vr{tyf lgdff cj]lwsf]k\$ls[ xb]Jofh ; d]nf0{pBf]usf]l:y/ h]yfsf]?kdf  
dfGotf kfpg]ul/ t]sPsf]5 .

# cgdlit lngkgI pBfU / cgdlit sf]k\$of

\*= cgdlit -0hfht\_ lng kgI pBfU / k\$of

Pg]sf] bknf ( sf]pkbknf -@\_ adf]hd ; /lff, hg:jf:Yo tyf jftfj /ofdf pMn}glo kl'tsh c; / kfg]lsl; dsf]lgDg pBfU :yfkf ug{rfxg]h}cgdlit sf]nflu ljefu ; dlf b/vf:t lbg'kgf . o; /l b/vf:t k/df ljefun]af\$]sf]lg0f0fg; f/ b/vf:t k/\$]ldlt n] tl; lbg leq cgdlit lbg'kgf . af\$]h}pBfU sf]:yfkf ug{cgdlit glbg]lg0f0 u/df ljefun]; f]s/fsf]hfgsf/l b/vf:tj fnfnf0{lbg'kgf .

Pg]sf] bknf \$ sf]cg; 'l ! sf]b|6Ao @ / Pg]sf] bknf ( sf]cg; 'l @ adf]hd lgDg lnlt sg}klg pBfU sf]:yfkf, lj :tf/ Pj +lj ljws/of ug\$]sf]nflu cgdlit lng'kgI Joj :yf ul/Psf]5 .

!= dl]zgaf6 pgl wfuf]sf]g]tyf dl]zgaf6 pgl un}f ptkfbg ugI pBfU . t/ cfl+ jf\$]sf]ldlt )&.@.^ df j; \$]f]!%\$ cf]j }ssf]lg-g+@ cg; f/ dl]zgaf6 pgl wfuf]ptkfbg ugI pBfU sf]gof+0hfht glbg]lg0f0 ePsf]5 .

@= xftxltof/, uf]hlu}f, af?b nufotsf lj ikmf0s kbfy{ptkfbg ugI ; /lff]ds 5kf0{- ; \$ol/6l lk(6LE\_, dbf tyf l; Ssf pBfU .

#= r/f0, lj 8l, l; uf/, vfg]; 'l{ v0l / ; 'l{dVo sRrf kbfy{xg]o:t}k\$f/sf j:t'ptkfbg ugI pBfU, dlb/f jf lj o/ ptkfbg ugI pBfU .

cgdlit lngkgI pBfU x?sf] cgdlit k0fg ugI clwsf/ Pg]sf] bknf !@ adf]hd ul7t af\$]h}f0{5 eg]af\$]h}ljefu tyf ; Dalwt sfofhox? ; d]n] tfl]sPsf pBfU x?sf] cgdlit k0fg ug{kfpg]ul/ clwsf/ k]ofof]hg u/\$]f]5 .

t/ cgdlit lng gkgI lgDg lnlt pBfU btf{ugI ; Dj Gwdf lgDg cg; f/ ugI Joj :yf ePsf]5 .

-s\_ Zinc Dross, Ash, Skimmings, Zinc Scrap Lead Ash Skimming, Lead Scrap, Acid Battery t]f] dh]sf6 cfoft u/l Lead ingots, zinc ingots jgf0{ ef/t tyf c6o dh]sd] lgsf; l ugI pBfU :yfkf ; Dj Gwdf o; lsl; dsf] pBfU jf6 jftfj /of Hofb}kl'tsh c; / kgI xbf xfnnf0{o:tf k\$f/sf pBfU x? :yfkf sf ; Dj Gwdf pBfU sf]cgdlit glbg]glit lng].

-cf]k}f\$]f]!.\$@ cf]j }s ldlt @)%\$.!@% sf]lg0f0\_ .

-v\_ PVC, HDPE, LDPE /hlg sRrf kbfy\$]f] ?kdf cfoft u/l knfli6s sDkfp08 tyf uf]gbl; ptkfbg u/l ef/t lgsf; l ugI pBfU btf{ ; Dj Gwdf cf]k}f\$]f] !#\$ cf]j }sjf6 @%UdNo clej [4 xg] pBfU nfn0{ btf{ugI lg0f0 ePsf]df ; f] sf] ; 6[ dNo clej [4 @)U eGbf j9l xg'kgI/ sh ptkfbgsf]Gogtd !)U t]f]dh]s jf kl/jTo{ lj b}zl dbf]df lgsf; l ug{kgI zt{/fvl btf{ugI :j s[t lbg].

-cf}k+af}sf]!\$@ cf}j }s ldlit @)%\$.!@.% sf]lg0f6\_

dNo clej [4 lgDg cg; f/ u0fgf ul/g5 .

Value addition=Sales Revenue-Raw matterial cost-utiities-depreciations x 100  
Sales Revenue

- pTkfbgsf]Goçtd @)Ü kl/jTo{lj b}zl dbf}df lgsf;L ug{kgI/ ; f]kl}tzt qmdzM j 9fpe}n}hfg'kgI.
- o:tf pBf}unf0{cfj Zos kgI{kofs}h8) / c6o j :t' qmd} u g}kfndf pTkfbg ug{kgI jf g}kfnl j :t' kpf}u ug{kgI.

- -cf}k+af}sf]!\$@ cf}a} }s ldlit @)%\$.!@.% sf]lg0f6\_

Non Ferrous Metal pBf}ux? :yfkgf p2}o yk k}h j [4 tyf lfdtf lj :tf/ ; Da6wl k/\$f cfj }g ; Da6wdf :j b}zl j hf/sf]nflu pkoQm cg; f/ ug{:jls[t lbg] t}f]dh\$ af6 sRrf kb}y cfoft ul/ tof/L a:t'lgof} ugI p2}o af6 pBf}u ; #fngsf]nflu btf{xg] Non Ferrous Metal ; Da6wl pBf}ux?sf] ; Da6wdf Goçtd #)Ü dNo clej [4 l xg]ePdf dfq :jls[t lbg]. o; kpf}hgy{dNo clej [4 u0fgf ubf{Output - Input }Formula

Input

cg; f/ u0fgf ugI ; fy}o:tf pBf}ux?sf]btf{: #fng p2}o, ykdf, k}h j [4 / lfdtf lj :tf/ ubf{: Deflj t lj efuaf6 dfq :jls[t lbg]-cf}k+ !^\* sf]j }s lg= g+@ -%\_

**tfl}sg'kgI}zt}?**

- jftfj /of ; Af0f lgodfj nl @)%\$ cg; f/ ug{kgI IEE ; Dj l6w k\$}f k'f u/L ; Sg' kgI.
- cgludg ugI kpf}hgsf]nflu kl}o\$ k6s kl/jTo{lj b}zl dbf eQmfgl u/L cfoft ug{ nfu\$} sRrf kb}y\$} /sd tyf kl/df0f cfoft kl}tt kq v}l}g cu}j }/ kl/jTo{ lj b}zl dbf l}q}df l}gof} u/\$f] kpf}l0ft kl}tlnik g}f}j \$ lj b}zl lj lgod lj efudf hfgsf/L u/fpg'kgI.

# IEE jf EIA ug{kg{pBf} / :jls{t ug{lgsfo

**\*-! k{/Des jftfj/Oflo kl/lfOf IEE jf jftfj/Oflo k{fj dNofsg EIA u/fpg' kg{ pBf}x? .**

>l % sf] ; /sf/sf] cfB}us glltn] pBf}sf] :yfkGf, lj lj lws/Of Pj +lj :tf/af6 jftfj/Ofdf kg{ ; Sg] kl{tsh k{fj nf0{sd ug{pkfo cjndag ug{s/fnf0{cl}sf/ u/\$f] kl/k}fdf g}kn clw/fHodf :yfkGf xg] pBf}x?sf] ; #fngsf] qmddf jftfj/Ofdf kg{ ; Sg] kl{tsh k{fj nf0{kl{t/f}f}ds Pj +; /l}f}ds pkfox? ckgf0{ To:tf]kl{tsh k{fj sd u/l jf x6f0 cg}sh k{fj x? a9f0 lbuf]cfly\$ nfe xfl; n ug{ p2}on] pBf}sf] :yfkGf, lj lj lws/Of Pj +lj :tf/ ug{ eGb} klxn] g} tl pBf}x?af6 jftfj/Ofdf kg{ ; Sg] k{fj dNofsg ug{ ; DaGwdf pBf} dGqfnon] apBf} lf}sf] nflu jftfj/Oflo k{fj dNofsg lgb}zsf, @)%@ tof/ u/l ldt )%&.@) sf]g}kn /fhkqdf k\$flzt ul/ ; f}l ldt bl}v nfu'ul/Psf]5 .

jftfj/Of ; AfOf P} , @)%# c}tu} >l % sf] ; /sf/ hg; Vof tyf jftfj/Of dGqfnon]v08 \$& clt/Om} !%, ldt )%\$.#!@ sf] g}kn /fhkq efu # df k\$flzt u/\$f] jftfj/Of ; AfOf lgodfjnl @)%\$ cg'; f/ sfof}og ug{sl7gf0{ ePsf}h] ; f]lgodfjnldf hg; Vof tyf jftfj/Of dGqfnon]v08 \$\* , ; Vof %) ldt )%!.@@ efu # df k\$flzt u/\$f] ; }gf cg'; f/ jftfj/Of ; AfOf lgodfjnl - klxnf] ; z}vg, @)%% cg'; f/ ; f]lgodfjnldf ; z}vg eP cg'; f/ pBf} btf{ug{ cl3 k{/Des jftfj/Oflo kl/lfOf (IEE) ug{kg{pBf} tyf k|tfjx? cg'; }l ! df / jftfj/Oflo k{fj dNof}g (EIA) ug{kg{pBf} tyf k|tfjx? cg'; }l @ df pNn} ul/Psf]5 .

IEE jf EIA u/fpg' kg{pBf} btf{jf k|tfj sfof}og ug{cl3 b}fo adf}hdsf] k\$}f k}of0{IEE jf EIA :jls{tsf]nflu lj efudf k7fpg' kg{/ ; f]:jls{t k}kt eP kl5 dfq k|tfj sfof}og ug{kg} .

**\*-!-! k{/Des jftfj/Oflo kl/lfOf u/fpg' kg{pBf}sf] IEE kl{t}g tof/ ug{ k\$}f**

IEE ug{kg{cg'; }l ! df pNn}vt k|tfj sfof}og ug{cl3 k|tfj sn]jftfj/Of ; AfOf lgodfjnl, @)%\$ -kyd ; z}vg ; lxtsf] sf]cg'; }l # df pNn}vt 9f}fdf tof/ u/l lgod % ad}hd sfo{ }l :jls{t u/f0{ ; f] sfo{ }lsf] cfwf/df ; f}l lgodfjnlsf] lgod & ad}hd kl{t}g tof/lsf]l; nl; nfd} k{/Des jftfj/Oflo k/LlfOf ug{kg{ k|tfj sf] ; DaGwdf k|tfj sn] k|tfj sfof}og xg] ufpFlj sf; ; ldt jf gu/ klnsf tyf lhNnf lj sf; ; ldt jf ; /f\$ / /Vg]JolQm jf ; yfnf0{ k|tfj sf]sfof}ogaf6 jftfj/Ofdf kg{ ; Sg]k{fj sf] ; DaGwdf kGw|bg leq lnvt /fo ; emfj lbg}sf]nflu ufpFlj sf; ; ldt jf gu/klnsf, lhNnf lj sf; ; ldt}sf]

sfoffo, lj Bfno, c:ktfn / :jf:Yo sfbdf ; Rgf 6fF u/L drNsf tof/ ug{ /  
; fxl adffhdsf] kGw|lbg] ; Rgf /fli60 :t/sf]sg}Ps blgs ; dfrf/kqdf ; d;  
k\$zfg ug{kgI/ ; f] ; Rgf k\$zfg eP kl5 ; f] ; DaGwdf sg}/fo ; emfj kkt xg  
cIPdf ; f] /fo ; emfj ; d;nf0{kltj dgdf ; dfj z u/L lgodfj nlsf] cg'; Rl %  
adffhdsf s/fx? ; d; vhf0{kf/IDes jftfj /Oflo k/Llfof kltj dg tof/ ug{kgI/  
; fxl lgodfj nlsf] lgod !) adffhd kltj dgsgf] !% klt / ; DalGwt ufpFlj sf;  
; ldt jf gu/kflnsfsf] l; kmf/z ; d; ; mlg u/L pOm k|tfj ; jls[tsf nflu  
pBf]usf] l:sd, ævÆ kmf/fd, ; h[dg drNsf, gful/stfsf] kdfloft kltlnk cflb  
; d; ; mlg u/L ljeufsf] Ohfht zfvdf k7fpg' kg\$ . o; /L kkt ePsf] IEE  
kltj dg ; fxl lgodfj nlsf] lgod !! sf]pklgod -!\_ adffhd :jls[tl kbf]g ul/g]5

t/,

xfn IEE/EIA ug{kgI t/ ; flj sdf gkg]pBf]usf] lfdtf j [4, p2]o yk, 7fp#f/L  
ugI; Dj Gwdf sfoffosf]/fo ; fy ljeufd k7fpg' kgI/ jftfj /Of ; Af0f lgodfj nl,  
)%\$ sf] cg'; lr ! sf] -cf\_ sf] -v\_ cg'; f/sf pBf]ux?sf] l:y/ khl ?= !) nfv  
eGbf sd ePdf IEE/EIA ug{gkgI t/ btf{ul/ ; s]kl5 l:y/ khl ?= !) nfv  
eGbf j9l xg]ul/ khl j [4, 7fp#f/l/, lfdtf j [4 ubf{ lgod & -@\_ sf]k\$df k/f ug{  
kg\$ .

t/ ; fxl lgodfj nlsf] cg'; Rl ! sf]v08 -c\_, -0\_, -p\_, -pm, -P\_, -P], -cf], -cf} df  
pNn]vt k|tfj sf] ; DaGwdf ; DalGwt lgsfoaf6 IEE kltj dg :jls[ e}cfP kl5  
dfq tI; DaGwl k|tfj sfoff]ogsf] nflu btf{ug{kg\$ .

**\*-!=@ jftfj /Oflo kbf] dNofsG (EIA) u/fpg' kg]pBf]usf] EIA kltj dg tof/  
ug{k\$df**

EIA ug{kgI cg'; Rl @ df pNn]vt pBf] btf{/ k|tfj sfoff]og ug{cl3  
k|tfj sn] jftfj /Of ; Af0f lgodfj nl, @)%\$ sf] -kyd ; æf]vg ; lxt\_ lgod \$  
adffhd lfq lgwf{Of -:sf]kE\_ :jls[tsf] nflu !% lbg] ; fj h]lgs ; Rgf k\$zfg u/L  
; f]sf]cfwf/df lfq lgwf{Ofsf] :jls[tl ng' kgI/ ; fxl lgodfj nlsf] lgod % adffhd  
cg'; Rl \$ df pNn]vt 9fFdf tof/ u/L sfo{ Rl :jls[ u/f0{ ; f] :jls[  
sfo{ Rlsf] cfwf/df ; fxl lgodfj nlsf] lgod & adffhd ; Rgf 6fF u/L drNsf  
tof/ ug{kgI/ ; fxl adffhdsf] !% lbg] ; Rgf /fli60 :t/sf]sg}Ps blgs ; dfrf/  
kqdf ; d; k\$zfg ug{kg\$ . o; /L ; Rgf k\$flzt eP kl5 sg}/fo ; emfj kkt  
ePdf ; f] ; d;nf0{kltj dgdf ; dfj z ug{kgI/ k|tfj sfoff]og xg] ufpFlj sf;  
; ldt jf gu/ kflnsfsf] Onfsdf Ps k6s k|tfj sf af/df ; fj h]lgs ; gj f0\$fl  
cf0fhgf u/L /fo ; emfj ; sng ug{kgI/ ; f] kkt /fo ; emfj nf0{/ lgodfj nlsf]  
cg'; Rl ^ adffhdsf s/fx? ; d; vhf0{EIA kltj dgdf ; dfj z ug{kg\$ .

o; /L kltj hg tof/ ePkI5 ; fxl lgodfj nlsf]lgod !) adfllhd kltj hgsf]!% klt / ; DalGwt ufpFlj sf; ; ldt jf gu/kflnsfsf]l; kmf/z ; d; ; mlg u/L pQm kltfj :jls[tsf nflu ; DalGwt lgsfo ; dlk kZ ug{kg5 .

o; /L klt ePsf] kltj hgdf ; fxl lgodfj nlsf]lgod !) adfllhdsf] k\$bf kfof0{ ; DalGwt lgsfo dfklt klt kltfj hg; Vof tyf jftfj/Of dGqfnon] EIA sfoflj ogsf]nflu l:j s[lt kbfj ug5 .

**\*!=# IEE jf EIA :jls[ ug]lgsfo**

bkmf \*!= adfllhd IEE jf EIA :jls[ ug] ; DalGwdf pBflj dGqfnosf] k= ; = jftf-)%)%÷%^÷!)@ r= g=#^\*! ldt )%!.!@ ( sf]kqfg; f/ jftfj/Of ; AfOf lgodfj nl @)%\$ -; zflwt\_ sf] lgod %@-!\_ df ePsf] kljwfg adfllhd ldt )%!.!@.^ sf]dGql:t/lo lgOfGfg; f/ kl/IDes jftfj/Oflo k/LIfOf (IEE) :jls[ ug] / jftfj/Oflo kefj dNoflg (EIA) sf] xsdf /fo ; lxt lfg lgwf(Of (Scoping) sfo{ Fl Pj +EIA kltj hg pBflj dGqfnodf kZ ug]u/L demnf tyf 7hf pBflj?sf] xsdf pBflj ljeFunf0{/ 3/h' tyf ; fgf pBflj?sf] xsdf 3/h' tyf ; fgf pBflj ljeFunf0{clwsf/ k[OfOfhg ePsf]5 .

IEE :jls[tsf] nflu ; DalGwt ljeFulo kplvx?sf] clblftfdf jftfj/Of zfvf xg] kljlws -/f= k= l4\_ pBflj ljeFu ePdf 3/h' tyf ; fgf pBflj ljeFusf]jftfj/Of xg]kplv jf 3/h' tyf ; fgf pBflj ljeFu ePdf pBflj ljeFusf]jftfj/Of xg]kplv, pBflj dGqfnosf]jftfj/Of zfvfsf]kltlgw / cfjZostfg; f/ ; DalGwt lgsfosf] kltlgw Pj+lzlf1 ; d;sf] ; ldt u7g u/L sfo{ ; Dkfbg ug] ul/ clwsf/ k[OfOfhg ePsf]5 . cfBflj us kj4g zfvfsf]/fo ; d; ln0{klt /fo cg; f/ bkmf \*!=! cg; f/ IEE l:j s[tsf]nflu klt xg cfPsf kltfj x; Ohfht zfvfaf6 pQm ; ldt df kZ xg] / ; f] ; ldt af6 ; f] kltfj l:j s[ , cl:j s[ jf ; zflwg ug{kg] ePdf ; flx cg; f/sf] hfgsf/L kltfj snf0{ lb0g] / kltfj l:j s[ ePkI5 sfofnonf0{k[OfOfht clwsf/ leqsf]kFl l; df eGbf a9L l:y/ kFl nfufgl xg] pBflj, ljeFusf] btf{ zfvfaf6 / cGosf] xsdf ; DjGwt sfofnodf pBflj btf{ u/f0g' kg5 .

— IEE ; ldt sf] :t/÷lhNnf:t/

— IEE sf]nflu lhNnf l:y: sfofnonf0{clwsf/ k[OfOfhgsf]laifo

\*!=#!= Kl/IDes jftfj/Oflo k/LIfOf (IEE) :jls[ ug] / jftfj/Oflo kefj

dNoflg (EIA) sf] xsdf /fo ; lxt lfg lgwf(Of (Scoping) sfo{ Fl (TOR) Pj + EIA kltj hg pBflj dGqfnodf kZ ug]ul7t ; ldt

dxl lgbZs, 3/h' tyf ; fgf pBflj ljeFu clblf

lgbZs -jftfj/Of xg] -/f=kla-k] pBflj ljeFu ; b:o

lgbZs -jftfj /0f xgI 3/h' tyf ; fgf pBfU lj efu ; b:0  
 lgbZs -0hfht xgI{3/h' tyf ; fgf pBfU lj efu ; b:0  
 kl'tlgw 3/h' tyf ; fgf pBfU lj sf; ; ldt ; b:0  
 zfvf clws[-0hfht zfvf\_ 3/h' tyf ; fgf pBfU lj efu ; b:0

\*=!#=@ kf/IDes jftfj /0flo k/Llfof kl'tj dg (IEE) :jls[tsf]nflu ul7t  
 lhNnf :t/lo ; ldt M-

sfofho kdV, 3/h' tyf ; fgf pBfU sfofho ; ehs  
 clws[- kl'tlgw, lhNnf kZf; g sfofho ; b:0  
 kl'tlgw, lhNnf 3/h' tyf ; fgf pBfU ; w ; b:0  
 -gePsf]lhNnfd p=j f=; 3sf]kl'tlgw\_  
 kf]j lws lj zif1 -; ehsn]tf\$ \$f] sfofhos} ; lrj  
 kf]j lws 0[-hlgo/ - cfdlqt-; ehsn]tf\$ \$f] ; b:0

\*=!## xfn 3/h' tyf ; fgf pBfU sfofho @& lhNnfd # j6f pBfU[sf]

IEE :jls[- ug{clwsf/ kl'ofofhg ul/Psf]5 . tl pBfUdf 06f, /f8f 9Ef /  
 knfli6s kb5g\ lhNnf l:yt sfofhon]cfkkmf0{kl'ofofht khl ; ldfleq /xl  
 pk/fQm pBfU[sf]IEE :jls[- ug{kb5 .

\*=!#-\$-S\_ IEE ; Dj GwL ; Ygf k\$flzt ubf{lgDg cg' f/sf s'/fx? clgj fo{?kdf  
 vhfpg kb5 (IEE sf]; ldt[sf]j 7s ^ ( cf)a7ssf]lg0f0\_

- != pBfU /xg]lhNnf
- @= ; Dj l6wt uf=j =; =g=kf=
- #= j 8f gDj /÷6fjh
- \$= hlufsf]lsQf g=
- %= /fo ; emfj kZ ug]lgsfo
- ^= k\ tfj ssf]gfd / 7ufgf
- &= pBfU[sf]p27o

-v\_ pNn]vt lj j /0f ; lxtsf] !% lbg]; Ygf /fli60 :t/sf] b]gs klqsfdf  
 k\$flzt ug{kgI 5 . ; Ygfsf] gd9f cg' YL-#\$ df lb0Psf] 5 . ; f] gd9f  
 ; DaGwL pBfU[sf]hfgsf/Lsf]nflu ; Ygf kf6ldf ; d] /Vg' kgI 5 .

u\_ 0hfhfht÷btf{e0{; #fngdf /x\$ f klxnf] IEE gu/\$f] pBf]usf] khl j [4, lfdtf j [4, p2]o yk, p2]o kl/j t]sf] dfu ePdf IEE u/fP/ dfq :jls[t lbg].(IEE ; ldltsf]!%) cf}j }sssf]lg0f0\_

3\_ klxn]g} IEE:jls[t u/fPsf pBf]ux?sf] lfdtf j [4, p2]o yk ug] ePdf khl j [4, lfdtf j [4 u/] ; #f]wt IEE kl]tj]bg u/] IEE ; ldltdf lg0f0sf nflu k] ul/ /xg gkg]lj efuaf6 :jls[t ug{; Sg] -IEE ; ldltsf]\*\$ cf}j }sssf]lg0f0\_

a\_ IEE :jls[t e0{ ; s\$ f pBf]usf] 7f0; f/l sf] :jls[t k]fg ubf{ jftfj /Of ; Af0f lgodfj nl @)%\$ sf]lgod &@\_ sf] ; r'gf ; Dj Gwl kl]qmf / pBf] /xg]:ynsf]; fw ; lwof/sf]dhl/L tyf ; l-hldg drNsf / uf=j=; =, g-kf= sf]l; kmf/; ; Dj Gwl kl]qmf k'/f ug{kg] IEE :jls[t ul/ /xg gkg]. pQm lgodfj nl cg'; f/ IEE gu/\$f pBf]ux?sf] xsdf kf= j f k= u/fP/ dfq 7f0; f/l sf]:jls[t ug{kg] -IEE sf]; ldltsf]!%) cf}j }sssf]lg0f0\_

r\_ btf{0hfhfht kf0{; #fngdf gcfPsf pBf]ux?n]; #fng ; Dj Gwl Dofb yk ug{k/] IEE gkg] -IEE ; ldltsf]&@ cf}j }sssf]lg0f0\_

5\_ af=; =g= @)%\$ nfu"xb' eGb clw btf{e0{; #fngdf /x\$ f] pBf]ux?n] xfn p2]o yk dfu u/] To:tf] pBf]usf] ; flj ssf] lfdtf xfn EIA :jls[t u/fpg' kg]j udf kg]ePdf ; f] lfdtf / p2]o oyfj t /xg]u/L xfn yk xb]p2]o / lfdtf ; f]l pBf]usf]a]n}Psf0\$] ?kdf /xg]u/L kf= j f k= u/fpg] pBf]usf] xsdf j f=; =g= @)%\$ sf]kl]qmf ; d] k'/f u/L :jls[t lbg]. [-IEE ; ldltsf]!\*# cf}j }sssf]lg0f0\_

h\_ ; fgf :t/sf] lrof v]l / lrof k]f]wg ug] pBf] :yfkgyf{ kf=j f k=:jls[t u/f0 /xg]gkg]. [-IEE ; ldltsf]!!% cf}j }sssf]lg0f0\_

**\*=!=\$ IEE jf EIA ug{kg]pBf]ux?n]c:yfol jf :yfol k]l]f0f lgoG0f kdf0f kq lngkg]**

jftfj /Of ; Af0f lgodfj nl, @)%\$ sf] -; z]wt\_ lgod !^ adf]hd cg'; r'l & df pNny eP adf]hdsf xfn ; #fng e}/x\$ f pBf]un] pQm lgodfj nl kf/De ePsf ldltn] () lbg leq / of]lgodfj nl kf/De xb' k]{btf{e0{p]kfbg z? gePsf pBf] jf of]lgodfj nl kf/De eP kl5 btf{xb]pBf]un]p]kfbg z? u/\$f]ldltn] ; f7l lbg leq ; Dalwt pBf]usf]lj :t] lj j /Of pNny u/L c:yfol k]l]f0f lgoG0f kdf0f kq lng ; Dalwt lgsfo ; dlf lgj]bg lbg' kg] . o; /L lgj]bg k]t ePdf ; Dalwt lgsfon] ; f]lgj]bg pk/ hfFaem u/L cfj Zostf cg'; f/ pBf] ; #fng xb]ufp]j sf; ; ldltn jf gu/k]nsfsf]/fo ; emfj ; d] ln0{To:tf]pBf] ; #fng ubf{jftfj /Ofdf pNny]glo kl]tsh k]fj kg]gb]df jf To:tf]k]fj sd jf lgoG0f

ug{; lsg]ePdf ; DalGwt lgsfon]To:tf pBfux?n]kfngf ug{kgIu/l cfj Zostf  
cg; f/ bxfosf ; a}jf sg}zt{x? tfsG ; Sg]5 M

s\_ kplf0f sd ug{jf lgoGq0f ug{cfj Zos pks/0fx? lgwf{/t ; dodf h8fg ugI  
v\_ h8fg ePsf kplf0f lgoGq0f pks/0fx?sf]plrt kplf0f ugI.

u\_ lgwf{/t ; dodf dfq pBf0f ; #fng ugI.

3\_ sg}pBf0f xftf leq sg}sf ul/Paf6 kplf0f ePsf0f ; f] sfd /f]sf ug\$]f  
nflu vf; pkfox? cj nDag ugI.

a\_ sg}pBf0f]sf] sfd sf/jfxlaf6 pBf0f xftf aflx/ kplf0f ePdf ; f] sfd  
sf/jfxlnf0{lgoGq0f ug\$]f]nflu vf; pkfox? cj nDag ugI.

r\_ cgludgsf]nflu cfj Zos kgI]pks/0fx? lglZrt ; dodf pknAw u/fpg].

5\_ ; DalGwt lgsfon]pBf0f]k\$[t cg; f/ cfj Zos ; Dem tfl]slbPsf cG0  
zt{adfl]hdsf sfd ugI.

### **\*=@cgdlt]nflu b/vf:t lbg'kgI**

P]gsf]bkrf ( adfl]hd cgdlt lngkgI]pBf0f]sf]:yfkf, lj :tf/ Pj +lj ljws/0f ug{  
rfxgh] P]gsf] bkrf (-@\_ adfl]hd cgdlt]nflu ljefu ; dl f cg; 'L !)  
adfl]hdsf] 9fFfdf l/tk]f]sf] b/vf:t lbg' kgI . pkoQm adfl]hd ; DalGwt  
sf0f]dof b/vf:t kg{ cfPdf k]of0f]ht clwsf/ cGtu f kgI eP ; DalGwt  
sf0f]non]g}cfj Zos k\$0f k%of0{cgdlt kplf0f ugI/ k]of0f]ht clwsf/ leq  
gkgI]eP cfj Zos lj j/0f tyf sf0f]nosf]:ki6 /fo ; lxt ljefudf n]v k7fpg'  
kgI .

o; /L k]k]t ePsf b/vf:t tyf lj j/0f 5fgljg, clwog ul/ k]of0f]ht clwsf/  
cGtu f kgI]eP ljefuaf6 g}cgdlt kplf0f ul/g]5 / k]of0f]ht clwsf/ cGtu f  
gkgI]eP P]gsf]bkrf !@ adfl]hd ul7t af]0f k]tfj k]z ul/ lg0f0fg; f/ sf0f]og  
ug{kgI .

### **\*=@! cgdlt]nflu b/vf:t ; fy k]z ug{kgI]sfuhftx?**

P]gsf]bkrf ( adfl]hd cgdlt lng' kgI]jf o; lb0b]zgsf]cg; 'L ! jf @ adfl]hd  
k]f/IDes jftfj/0flo kl/lfof (IEE) jf jftfj/0flo kplf0f dNofsg (EIA) u/fpg'  
kgI]pBf0f]sf]:yfkf, lj :tf/ Pj +lj ljws/0f ug{rfxgh]b}fo adfl]hdsf sfuhft  
tyf lj j/0fx? ; #0g ul/ b/vf:t lbg' kgI .

!= cg; 'L !) adfl]hdsf]asE b/vf:t kmf/fd .

@= cg; 'L % adfl]hdsf] 9fFfdf tof/ k]f/Psf] k]f/IDes jftfj/0flo kl/lfof  
kl]tj]bg jf cg; 'L ^ adfl]hdsf] 9fFfdf tof/ k]f/Psf] jftfj/0flo kplf0f  
dNofsg kl]tj]bg . -IEE/EIA ug{kgI]pBf0f]nflu dfq.

#= cg' rL !! adf]hdsf]9fFfdf tof/ kfl/Psf]l:sd .  
 \$= cgdlt dfu ugI JolQm=; femf/x?÷; #fnsx?sf] gful/stfsf] kdfloft  
 kl'tlnlk .  
 %= pBf]sf] k\$[tsf] cfwf/df pBf] l]z]fsf nflu tfl]sPsf cGo cfjZos  
 sfuhftx? .  
 ^= cGo lgsfosf] h:t}ko6g dGqno, s]b]lo vfB cg' Gwfgzfnf, uX dGqno,  
 kz' ; j]f lj efu, ; #f/ dGqno, rnlrq l]sf; j]f\$ s]f lj efu cflb lgsfosf]  
 l; kmf/z j]f ; xdl't cfjZos kgIePdf To:tf]l; kmf/z j]f ; xdl't kq .  
 &= cg' rL ( df pNn]vt pBf]ux? afx\$ cGo pBf] cGt{fli60 l; dfgf; #  
 hf\$LPsf lhNndf pBf] :yfkf ugI ePdf k]tfl]t pBf] :yn cGt{fli60  
 l; dfgaf6 \* lsnf]d6/ eGbf 6f9f k5{eg]; DalGwt uf=lj=; =:g-kf=:lh=lj=;  
 =sf]b/l kdfloft .  
 \*= pBf]sf]:yfkf kZrft xg ; Sg]jftfj/Of kblfOf, hg:jf:Yodf gsf/flTds c; /  
 kgI tyf lj :kmf}s kbfy{kof] xg] pBf] l]z]fsf] nflu gu/kflnsf j]f 3gf  
 j:tlaf6 lglZrt b/l'df :yfkf ug{kgl u/l b/l vhfpg tfl]sPsf pBf]sf]  
 xsdf To:tf]b/l kdfloft h:t}06f, /f\$ 9uf, ; nf0{ vfB; f/L, r/f\$, Pn= lk=  
 llofF, lnlrE kfp8/ cflb tyf cGo o:t}k\$f/sf pBf]ux? .

**\*@@ lj efuaf6 cgdlt lbg ; lsg]pBf]ux?**

af\$]sf] () cf]a]s cyf Pj nfu"ePsf]ldlt )\$(.&.@& kl5 k6s k6s a; \$f  
 a]ssf lgofox?af6 lj &, ; tl{/ vgl, k/Dk/fut xftxltof/ pTkfbg ugI pBf],  
 ; nf0{ tyf dlb/f pBf]sf]:yfkf, lj:tf/ tyf l]l]ws/Of ugI cgdlt kbf] ugI  
 clwsf/ lj efunf0{k]ofof]hg ePsf]b]xfo adf]hd Ohfht kbf] ul/g]5 .

**\*@@! ; nf0{pBf]**

af\$]sf] !!) cf]a]ssf] lgofo g+ ^@\_ cg' f/ ; fgf :t/sf ; nf0{pBf]sf]  
 cgdlt kbf] ug{b]fosf zt\$? tfl]s cgdlt kbf] ul/g]5 . ; nf0{pBf]sf]  
 nflu rf]lkm; fW ; fwof/sf]; xdl't ; d]sf]; h]dg dr]Nsf kZ u/fpg' kg\$ .  
 != ; /lff Joj:yf (Safety measures) ; DaGwl pkoQm pkfox?sf] Joj:yf  
 ug{k\$ .  
 @= pTkfbgsf]qmdf v] hfg]kbfy\$? plrt tl/sfn]lg/fs/Of ug{k\$ .  
 #= jftfj/Of kblfOf gxg]Joj:yf ldnf0{pBf] ; #fng ug{k\$ .  
 \$= ; a] /; folgs kbfy\$?sf] Handling code of Practice agf0{ ; a]  
 sfdbf/ sd{f/lnf0{hfgsf/l u/f0{nfu"ug{k\$ .  
 %= /; folgs kbfy\$?sf]kof] tyf e08f/ ; Joj]yt tl/sfn]ug{k\$ .

^= cgelj kflj lwsnf0{; mlg u/f0{pTkbfg ug{kgf .  
 &= clgl lg/fvs pks/0fsf]cfj Zos Joj :yf ug{kgf .  
 \*= pBfu cfj f; lqaf6 sldtdf ! ls= dl= ebf 6f9f :yfkf ug{kgf .  
 (= gu/ lj sf; Pj nfu' ePsf lqdf gu/ lj sf; ; ldtsf]/ gS; f ; d; kf;  
 ug{kgf 7fpdf ; Dalwt lgsfoaf6 gS; f kf; u/] dfq pBfu ; #fngsf]  
 nflu 3/ lgdf uf ug{kgf .

**\*-@@@ dlb/f pBfu**

Pj cg' f/ cgdlt lng' kgf dlb/f pBfu :yfkfy{cgdlt kbf ug] clwsf/  
 af\$sf] !@@ cf)a]ssf] lgof6 g+@# cg' f/ ljeunf0{k]ofofhg ePsf] 5 .  
 af\$sf] !& cf)a]sn]dlb/f pBfu :yfkfy{b]fo adf]ndsf cfwf/x? lgwf{0f  
 u/]sf]5 .

t/xfn

s\_ dlb/f pTkbgsf]nflu gofFpBfu :yfkf ug{0hfht kq kbf gug]  
 e0 /x\$]pBfunf0{qnd; Mc6o j :tx?sf]pTkbfg ug]pBfu]df ?kft/  
 ug].

v\_ dlb/f pTkbfg ug]pBfusf] j/k/ jftj/0f :jR5 /fVg nufpg] /  
 pBfu]eq cftl/s lgsf; fsf] Joj :yf ug{ nufpg] -d=k=sf] ldt  
 @)%\*.^.% sf]lgof6 cg' f/\_ .

!= :j bzd f g]pTklbt /\$6lkmf08 l:k6 kofu ug]nf0{0hfht kbf ug].

@= l8li6nzg knf6 /fVg] pBfux?n] clgj fo{?kdf Effluent Treatment  
 Plant /fVg' kg].

#= cft/fi60 Voflt kft ePsf] Brand Name kofu ul/ dlb/f pTkbfg ug]  
 pBfunf0{kfyldstf lbg].

\$= lj bz l kflj lws ; xflutdf ; #fng ug]pBfun]cf^gf]sh pTkbgsf]%)  
 kltzt clgj fo{?kdf lgof ug{kgf].

%= z]fs ; fdilhs tyf wld\$ :ynnf0{k]tsh c; / gkg]u/l pBfu :yfkf  
 ug{kgf].

^= 0hfht kft u/]sf]@ j if{leq]Joj ; flos pTkbfg ul/ ; Sg' kg].

&= :yfglo lgsfoaf6 3flift ul/Psf]dlb/f lgif]wt lqdf gofFdlb/f pBfusf]  
 0hfht kbf gug].

pk/fQm cfwf/df pln]vt ; Dalwt zt{x?sf clt/Qm b]fosf zt{x? ; d;  
 kfngf ug{kgf]ul/ ljeuaf6 g}dlb/f pBfusf]0hfht kbf ug]g]5 . dlb/f

pBfū :yfkgy{rf}lkm( ; fW ; fWof/sf] ; xdlit ; d]sf] ; h[dg dhNsf kž ug{ kg\$ .

!= :j bždf g}pTkfbt /\$6kmf08 l:k6÷df]fl ; ; ÷:yfglo kmkln dfq sRrf kbfsf]?kdf kpfū ug{kg\$ .

@= l8l:6n] g / kmD[6žg k\$pfaf6 dlb/f pTkfbgug[pBfūn] Patent Steel Plant clgj fo{?kdf /fVgkg\$ .

#= l8l:6n] g / kmD[6žg k\$pfaf6 dlb/f pTkfbg ug[0hfht kfPsf]\* dlxgf leq / Jn]08<sup>a</sup> k\$pfaf6 dlb/f pTkfbg ug[pBfūn]0hfht kfPsf]\$ dlxgf leqdf pTkfbg ug{kg\$ .

\$= kblift kfglnf0{60f1ldf hDdf u/L cfjZos ; ]8d[6] g jf 6o6mf0h] g u/L cf^g}hluufdf lg:sf; g ug{kg\$ .

%= Effluent sf]:t/ gž u= @@( sf]l; df leq /xg' kg\$ .

^= jftfj /of kblf0f gxg]Joj :yf ldnf0{dlb/f pTkfbg ug{kg\$ .

&= dlb/f pTkfbg ug{kj} {dNo clea[4s/ ljeuaf6 0hfht Ing' kg\$ .

\*= pTkfbt dlb/f dNo clea[4 s/ ljeu dkkft u0f:t/ kl/lf0f u/fP/ dfq lj lqm lj t/of ug{kg\$ .

(= kflnt dlb/f kžf; g ; DaGW Pž, lgod lj kl/t sfo{ug{kf0g]5ž .

!)= 5/ l5d\$nf0{afwf gk%of0 pBfū ; #fng ug{kg\$ .

!!= pBfū ; #fng ubf{pBfū leq e}x\$]sfd sf/j fxlnf0{dh ; 8saf6 gb]vg]Joj :yf ldnfpg' kg\$ .

!@= dlb/f pBfūsf] :yfkgy{ ufpF lj sf; ; ldltaf6 ul/Psf] rf}lkm( ; fW ; fWof/sf] ; xdlit ; lxtsf] ; h[dg dhNsf / ; Dj lGwt lhNnf lj sf; ; ldltaf6 ; f]lhNnf dlb/f lgif]wt lfž 3flift gePsf]kdfloft kq .

**\*=@# ; DalGwt sfofxof6 cgdlt kbfq ug{; lsg]**

af\$] (\$) cf}a}ssf]lg0f6 g=#!-@! -#\_ / !!\* cf}a}ssf]lg0f6 g=#! cg' f/ ljefunf0{clwsf/ k]ofof]hg ul/Psf lj 8L, ; lt{/ vžl tyf k/Dk/fut xft xlt0f/ pTkfbg ug[pBfūsf] 0hfht kbfq ug[ clwsf/ ; DalGwt sfofxof?nf0{ ; d] k]ofof]hg ul/Psf]5 .

**\*=@#! lj 8L, ; tl{/ vžl**

af\$] !!\* cf}a}ssf]lg0f6 g=#!-@-s\_ cg' f/ ; DalGwt sfofxof?nf0{ lgwf/t u/\$]zt{? kngf ug[ul/ k]ofof]ht kfl ; ldf leq /xl lj 8L, ; tl{/ vžl pBfūsf]0hfht lbg]clwsf/ k]ofof]hg ePsf]0hfht kbfq ubf{b}fosf zt{? pNny ug{kg\$ .

- != pBfU ; #fng ubf{j ftfj /0f kblf0f gxg]JoJ :yf ug{kq5 .
- @= ; tl{ tyf vgl]sf] kofs0df æ; tl{ ; ]g :j :Yosf] nflu xflgsf/s 5Æ e6g] jfSofz+/ lj 8l pBfU eP lj 8lsf] kofs0df æwdkfg :jf:Yosf] nflu xflgsf/s 5Æ e6g] jfSofz+n]vPsf]nān clgj fo{?kdf 6fFg' kg5 .
- #= sdbf/x?nf0{df:s, Pkfg cflb :jf:Yo ; /lffsf ; fwgx? pknAw u/fpg' kg5 .
- \$= pTkfbgsf]qmdf v] hfg]kbfx{?sf]pkoQm tl/sfaf6 lg/fs/0f ug{kq5 .
- %= 5/ l5d\$nf0{afwf gk%of0{pBfU ; #fng ug{kq5 .
- ^= pBfU ; #fng ubf{ pBfU leq e}x\$] sfd sf/jfxlnf0{ dh ; 8saf6 gb]vg]JoJ :yf ldnf0{pBfU ; #fng ug{kq5 .

**\*-@#-@ 3/fo;L kpf]sf k/Dk/fut xftxtof/ pTkfbg ug]pBfU**

Pg]sf]cg' rL @ adf]hd Ohfht lng kg]ju0f k/\$f pBfUx? d]b]af\$]sf] !!\* cf]a]ssf]lg0f6 g= !-! / !-@ n]v\$/l -@ lkm6 ; Ddsf], sb{ rKkl, rh]l, :ofEl / agr/f]h:tf]3/fo;L kpf]sf]k/Dk/fut xftxtof/ pTkfbg ug] pBf]sf]Ohfht kbf]g ug]clwsf/ sfof]ox;nf0{k]ofof]hg u/\$f]k]ofof]ht clwsf/ c]tu{sf]kFl ; ldf leq /xl b}fosf zt{? ; d] t]s pBf]sf] cgdlt kbf]g ug{kq5 .

!= 3/fo;L kpf]sf @ lkm6 ; Ddsf]v\$/l, sb{ rKkl, rh]l, :ofEl / agr/f] dfq pTkfbg ug{kq5 .

@= pBfU ; #fng ubf{j ftfj /0f kblf0f gxg]ul/ ; #fng ug{kq5 .

#= pBfU ; #fng ubf{Wj gl kblf0f xg ; Sg]ePsf]h]Wj gl -cf]fh\_ kblf0f sd ug]pkfo cjndag ug{kq5 .

\$= pBfU ; #fng ubf{; /lff]ds pkfox? cjndag ug{kq5 .

%= 5/ l5d\$nf0{afwf gk%of0{pBfU ; #fng ug{kq5 .

^= pBfU ; #fng ubf{ pBfU leq e}x\$] sfd sf/jfxlnf0{ dh ; 8saf6 gb]vg]JoJ :yf ldnfpg' kg5 .

**\*# cgdlt kbf]g ug]k\$0f**

cgdlt]sf]nflu o; lbbzgsf]bkrf \*= @ adf]hd k]kt b/vf:t / ; f] ; fy ; mlg sfuhftx? kzf; lgs tyf k]lj lws klaf6 vf; u/] lgDg ln]vt lj ifox?df cl]bog tyf lj Zn]f0f ul/ k]t]lj t pBfU :yfkgef6 kg{; Sg]cfly\$, ; df]l]hs, k]lj lws tyf jftfj/0flo k]tsh c; /x?sf lj ljw klfd] cl]bog tyf lj Zn]f0f ul/ cgdlt lbg dg]l; a b]vPdf k]ofof]ht clwsf/ leq /xl pBfU :yfkgsf]nflu Ohfht lbg] jf yk cf]Zos sfuhft jf lj j /0f dfu ug{kq5]b]vPdf kg]yk lj j /0fx? k} ug{

nuf0{ ; Dk0f{lj j /0fx? k{k t ePsf] #) lbg leqdf cg' ; rL !@ adf]hdsf] 9fFfdf  
cgdlit k{bfg ug{k}g5 .

!= k|tflj t pBf]u :yn cg' ; rL \* / ( adf]hd pBf]u :yfkf ug{gkf0g] lfd  
k5{k}b5 <

@= c6o lgsfosf]l; kmf/z÷k|t lqmf÷b/lkdf10ft÷; h{dgd rNsf÷nfnkhf  
d6h/gfdf÷hllufsf]gS; f÷:sld÷ gful/stf÷ IEE jf EIA cflb dWb]cfj Zos  
kg]sfuhftx? k}z ePsf 5g\ 5}g5 <

#= pBf]u lj z]f]sf] nflu lgwf/t /]8o; sf] hlluf pBf]un] kof]u ug{k}g5 kof]t  
hlluf pknAw ePsf]5 5}g5 <

\$= k|tflj t pBf]usf]d]zg/L, sRrf kbfg{tyf pTkfbg lfdtf, pkoQm Pj +dgfl; a  
5 5}g5 <

%= k|tflj t pBf]u :yfkfaf6 hg:jf:Yo / jftfj /0fdf k|tsh c; / kg{ ; S5  
; Sb5 < kg]eP /f]sydsf pkfox? ckgfpg ; lsg5 ; lsb5 <

^= k|tflj t pBf]u :yfkfaf6 z]f]s, wld\$, tyf ; f:s[ts jftfj /0fdf gsf/flds  
c; / k5{k}b5 < kg]eP gsf/flds c; / sd ug]pkfox? 5g\ 5}g5 <

&= IEE jf EIA df k|t't ul/Psf jftfj /0f k}f0f sd ug]pkfox? pkoQm  
dgfl; a / nfu' ug{; lsg]vfnsf 5g\ 5}g5 <

### \*\$ cgdlit kqdf pBf]un]kfnfg ug{k}g5 zt{x? pNny ug{k}g5

cgdlit lng' kg] sg} kl5 pBf]u :yfkf]sf] nflu cgdlit k{bfg ubf{ cg' ; rL !#  
adf]hdsf] sfo{of]hgdf pNny u/\$f] cj lw vhf0{pBf]usf] k\$[t tyf pBf]uaf6  
hg:jf:Yo tyf jftfj /0fdf kg{ ; Sg]k|tsh c; /nf0{sd ug]pkfo cj n]dag ug{  
jf pBf]u lj z]f]sf]nflu vf; lsl; dsf lj z]f] zt{x}g' sf ; fy)IEE/EIA k|tj }g  
rflxg] pBf]usf] xsdf ; f] :jls[ ubf{ t]sPsf] zt{x} ; d] cgdlit kqdf k|6  
pNny ug{k}g5 .

### \*% cgdlitsf]nflu sfo{of]hg k}z ug{k}g5

cgdlit k{bfg ug]lg0f6 eP kl5 cgdlit dfu ug]k|tflj t pBf]u :yfkf tyf  
; #fng ug{nflg] qdf]l; s cj lwdf ul/g] sfo{k|t / pBf]u ; #fng ug{nflg]  
cgdf]gt ; do ; d] pNny u/L a9ldf !@ dlxgf cj lwsf] nflu cg' ; rL !#  
adf]hdsf] 9fFfdf sfo{of]hg (Plan of Operation) k}z ug{k}g5 .

### \*^ cgdlitsf]nflu w/f6L /sd hDdf ug{k}g5

cgdlit k{bfg ug]lg0f6 ePkl5 cg' ; rL !@ adf]hdsf] 9fFfdf cgdlit k{bfg ubf{  
b}xfodf pNny]vt l:y/ k]f]sf] cfwf/df b}xfo adf]hdsf] w/f6L /sd ljefu jf  
; DalGwt sfo{fosf]w/f6L vftdf hDdf ug{nufpg' kg5 .

qm ; ≠	l:y/ kFl nufgl ljj /Of	hDdf ug{kglw/fōl /sd
!=	l:y/ kFl ?= %,))))) .- ; Dd	? !,)))).-
@=	l:y/ kFl ?= !,))))) .- ; Dd	? @,)))).-
#=	l:y/ kFl ?= @%,))))) .- ; Dd	? \$,)))).-
\$=	l:y/ kFl ?= %) ,))))) .- ; Dd	?= &,)))).-
%=	l:y/ kFl ?= !,))))) .- ; Dd	? !,)))).-
^=	l:y/ kFl ?= !,))))) .- eGbf dfly	? @,)))).-

z?df cgdlt lnbf l:y/ kFl sfod e}; fxl cg; f/sf]w/fōl /sd hDdf u/\$fōf kl5 l:y/ kFl a[4 jf p27o yk ug{k/df a[4 ePsf]l:y/ kFl df ; flj sdf hDdf u/\$f]w/fōl /sdn]gku ePsf]yk /sd dfq hDdf ug{kgl5 .

**\*=& cgdltsf]Dofb yk ÷ cgdlt /2 ug[÷w/fōl /sdf hkmt ÷ w/fōl /sd lkmtfē p27o yk jf kl/j tō**

cgdlit kqdf tfl]sPsf]Dofb leq pBfū :yfkf jf ; #fng ug{g; sōf dgfl; a sf/Of ; lxt b/vf:t lbg' kg[ / sf/Of dgfl; a bl]VPdf Dofb yk ug{; lsg]5 . sf/Of dgfl; j gb]VPdf cgdlt -0hfht\_ /2u/l ; f]j fkt /fv\$]w/fōl /sd hkmt ul/g] 5 .

**\*=&! cgdltsf]Dofb yk**

cgdlit lng' kg[pBfūsf]cgdlit kq kfl't ePsf]#% lbg leqdf pBfū btf{ug{ ; Dalōwt sfōfōdf b/vf:t lbg' kg[ . sltko sf/Ofn]ubf{ ; f]Dofb leq pBfū btf{ug{g; sōf tfl]sPsf]Dofb leq btf{ug{g; Sgfsf] sf/Of tyf d]rTo xll/ cgdlt kfPsf]^ dlxgf leqdf pBfū btf{ug[u/l ; Dalōwt sfōfōn]g}Dofb yk ul/ pBfū btf{ul/ lbg ; Sg]5 .

t/ dlb/f tyf r/fō pBfūsf]Dofb yk tyf ^ dlxgf eGbf a9l cj]wsf]Dofb yk ubf{tyf btf{e}; s\$]pBfū ; #fng ug[cgdltsf]Dofb yk ug[; Dalōwdf b]fo adf]hdsf sfuhft ; lxt sfōfōsf]:ki6 /fo l; kmf/z ; lxt lj efudf n]v k7fpg' kg[ .

!= cgdlt kqdf tfl]sPsf]Dofb leq pBfū btf{ug{g; Sgfsf]sf/Of .

@= pBfū ; #fng ug[; Dalōwdf xfn; Dd k] u/\$f]sfo{kult ljj /Of .

#= pBf] bt{e}; s\$]f] Dofb leq ; #fng ug{g; Sgfsf]sf/Of .

\$= bt{e}; s\$]pBf]usf]kdf0fkqsf]kl|tlnk .

**\*-&@ w/f]l /sd lkmtf{ug{k]qnof**

cgd]tsf]nflu h]df u/\$]w/f]l /sd lkmtf{lngsf]nflu pBf] ; #fng eP kl5  
cgdl]t kqdf p]n]vt zt{x? kfngf u/\$]ePdf dfq w/f]l /sd lkmtf{ug{; lsg]  
ePsf]w/f]l /sd lkmtf{ug\$]nflu ; DalGwt sfof]on]b]fosf sfuhftx? ; lxt  
t]sPsf zt{x? pBf]n]kfngf u/]gu/\$]:ki6 /fo tyf l; kmf/z l]efudf k7fpg'  
kg\$ / sfof]on]g]lkmtf{lbg' kg]df klg ; f]l cg'; f/ ug{k]kg\$ .

!= cg'; 'l !\$ adf]hdsf]pBf]usf]:ynut lg/Lifof kl|tj]bg .

@= cgd]t kqdf t]sPsf]Dofb leq jf yk ePsf]Dofb leq pBf] ; #fng ePsf]  
kdf0f .

#= w/f]l /sd h]df u/\$]; Ssn /l; b .

**\*-&# cgd]t lng kg]pBf]usf]p2]o yk jf kl/j t]g**

P]gsf]bkmf ( cg'; f/ cgd]t lng kg]pBf]usf]p2]o yk jf kl/j t]g ug{k]gePdf  
; DalGwt sfof]on]:ki6 /fo tyf l; kmf/z ; lxt l]efudf k7fpg' kg]5 . t/  
k]ofof]ht clwsf/ c]tu\$ kg]eP ; DalGwt sfof]on]g]p2]o yk jf kl/j t]g ul/  
lbg ; Sg\$ .

**(= pBf] :yfkf ug{l]f] - :yfg\_**

cfBf]us l]sf; / l]:tf/sf]qmd ; u}a9b}u}/x\$]zxl/s/Of tyf hg3gj ; d]sf]  
sf/Ofaf6 xg u}/x\$]jftf]/Of k]l]f0fnf0{lgoGqof, /f\$yfd tyf sd ug]/ Jojl:yt  
?kdf cfBf]usls/Of ; d] u/fpg]p2]on]P]gsf]bkmf !@ adf]hd ul7t af\$]l]dt  
)%\$.!@ ( df a; \$]!]#@ cf]a]ssf]lg0f6 g=#! cg'; f/ pBf] :yfkf ug{kf0g]l]f] -  
:yfg\_ ; DaGwl ; flj ssf] gl]tnf0{ kg]/j nf\$g ul/ b]fo adf]hdsf] gofFgl]t nfu'  
ul/Psf]5 .

(=! sf7df8f]pk]osfsf gu/kflnsfleq :yfkf ug{kf0g]pBf] sf7df8f]pk]osfleq  
:yfkf ug{gkf0g]pBf] / sf7df8f]pk]osf jfl/xsf gu/kflnsfdf :yfkf ug{  
gkf0g]pBf]usf]; Dj Gwdf cg'; 'l \* df p]n]v eP adf]hd xg]5g\

**(=@ c]t/f]6] l; dfgaf6 \* lsn]d6/ 6f9f pBf] :yfkf ug{k]g]**

cg'; 'l ( df p]n]vt pBf]ux? afx\$ c]o k\$]/sf pBf]ux? c]t/f]6] l; dfgaf6  
s]d]tdf \* lsn]d6/ 6f9f :yfkf ug{k]g]5 . o; sf]nflu pBf] :yfkf ug{cl3  
; DalGwt lgsfoaf6 b/l kdf]of]t u/fpg' kg\$ . t/ bkmf ^=! c]tu\$ kg]k/Dk/fut  
3/h' pBf] -un]f afx\$ / b0]fv ?k]f; Dd l:y/ h]yf ePsf p]kfbgdhs 3/h'  
pBf] -sl6/\_ sf]xsdf of]b/l acb]h nfu' xg]5g .

# pBf]sf]sfg]l :j?k / btf{k\$of

!)= btf{-/lhi6zg, glj s/of, gfd; f/l, 7fpf/l, kfl tyf lfdtf a[4, p2]o yk jf kl/j t6

P]sf]bkrf !) cg' f/ pBf] btf{ubf{; DalGwt sfof]onf0{k]ofof]ht kfl l; df leq /xl b]fo adf]hd ug{k\$ M

sg} pBf] btf{ug] ; DaGwdf lalj wf kg{uPdf pQm pBf]sf] p2]o, cfj Zos sRrf kbfy{ p]kfbg k]of / klj lw, p]kfbg ul/g]j :t' ; d] :ki6 u/l cfj Zos lgb]zgsf] nflu l]efudf n]l k7fpg' kg\$ .

pBf] btf{-/lhi6zg, kfla[4, lfdtfa[4, 7fpf/l, p2]o yk jf kl/j t6 cflb ubf{ cg' rL \* / ( adf]hd pBf] btf{ug{tfl]sPsf l]q leq kg]gkg]olsg u/] ; f]gltsf] k]tsh gxg]u/l dfq pBf] btf{ 7fpf/l, kfla[4, lfdtfa[4, p2]o yk jf kl/j t6 ug{k\$ .

!)=! pBf] btf{

!)=! cgdlit lng gkg]pBf] btf{

3/h' pBf], cgdlit lng gkg] ; fgf pBf] / o; lbb]zgsf]bkrf \*!= adf]hd IEE jf EIA u/fpg gkg]pBf] ; DalGwt sfof]on]k]ofof]ht kfl l; df leq /lx btf{ ug{k\$ . k]ofof]ht kfl ; ldf ebf a9l kfl ePdf tfl]sPsf]lj /of ; lxt btf{f] nflu l]efusf]btf{/ 0]fht zfvdf k7fpg' kg\$ .

!)=!@ cgdlit lng kg]pBf] btf{

P] adf]hd pBf] :yfgf ug{cgdlit lng'kg]pBf] btf{ug{cl3 k]ofof]ht kfl l; df c]tu] kg]eP ; DalGwt sfof]oaf6 / k]ofof]ht kfl l; df c]tu] gkg]eP l]efuaf6 cgdlit k]t u/]kl5 dfq pBf] btf{ug{k\$ .

!)=!# hfoh]f ; sf/]f pBf] ; Dj Gwdf

g]kn cf]f]us l]sf; lgud tyf c6o a\$ Pj +lj]Qo ; :yfx?n] o; lsl; dsf] Joj :yf cg?k l]lqm ug] ; flj s blv ; #fng e]x]f pBf]sf] h]f vl/b u/l lng] pBf]lx?nf0{ d] ; flj s}:yfg / ; flj ss}h]f Pj +lfdtfd pBf] ; #fng=btf{e0{ cfPdf l]efu:t/af6}ug{; Sg]u/l l]s[t lbg].

-cf]o-af]f]!^\* sf]lg0f6 cg' f/\_

!)=@ sfg]l :j?k

Pg]sf] bkrf !) cg' f/ btf{u/fpg' kg[sg}klg pBf] kfoe kmd{ ; fe]bf/L kmd{ kfoe Inld68 jf klAns Inld68 sDkglsf]?kdf b]fo adf]hd btf{ug{kg5 .

**!)-@! kfoe kmd{**

kfoe kmd{/lhi6zg Pg, @)!\$ cg' f/ sg}Ps JolQm lj z]fn]sg}pBf] Psnf6L :jfldTjdf btf{ug{rxf]df lgDg Inlvt sfuhftx? ; lxt cg' rL !% adf]hdsf] 9fFfdf ; DalGwt sfof]nodf l/tk] \$ b/vf:t lbg' kg5 . o; /L b/vf:t k]kt eP kl5 ; DalGwt sfof]non] k]ofof]nt clwsf/ leq /lx bkrf !)-# adf]hd k]lsf] cfwf/df nllg] kmd{btf{b:t' bflvnf ug{nuf0 pBf] btf{ul/ cg' rL !^ df p]n]lvt 9fFfdf kfoe kmd{btf{kdf0fkqdf ; d] pBf]un]kfngf ug{kg]zt? p]n]y ul/ kmd{btf{kdf0fkqsf ; fy}cg' rL !& adf]hdsf]9fFfsf]kq ; d] lbg' kg5 .

!= cg' rL !% adf]hdsf]9fFfdf el/Psf]b/vf:t ævÆ krf/fd .

@= gful/stfsf]kdfloft kl]tlnk .

#= cgdlt lng' kg]pBf]sf]xsdf cgdlt kq .

\$= cgdlt lng' kg]tyf IEE jf EIA u/fpg' kg]pBf]sf]xsdf l:sd . t/ cgdlt lng' gkg]tyf IEE jf EIA u/fpg' gkg]pBf]sf]xsdf ; fwf/0ftofM l:sd cfj Zos kg]5g .

%= b/l kdfloft÷c6o lgsfosf] l; krf/z Pj +kl]tlqmf÷; h]dg d'r]nsf÷h]lufwgl kdf0fk]f; dGh/lgdf÷h]lufsf]gS; f cflb cfj Zos kg]pBf]sf]xsdf To:tf] kdfloft jf l; krf/z Pj +kl]tlqmf k]kt ePs] kq .

^= /fxbfgl ; f0hsf]krf]f]@ kl]t .

&= lgj]bg b:t' afkt ? %- lt/]sf]/l; b .

**!)-@@ ; fe]bf/L kmd{**

; fe]bf/L kmd{/lhi6zg Pg, @)@) cg' f/ b0{jf b0{e6bf a9L JolQmx? ldn] pBf] ; #fng ug]sf]nflu ; fe]bf/L kmd{btf{ug{ ; Sg5g\ ; fe]bf/L kmd{sf]?kdf pBf] ; #fng ug{rxfg]JolQmx?n]cg' rL !% adf]hdsf]9fFfdf b/vf:t ævÆ krf/fd ; fy b]fosf sfuhftx?df ; fe]bf/x?n] b:tv]t u/L b/vf:t lbg' kg5 . o; /L b/vf:t k]kt eP kl5 ; DalGwt sfof]non]k]ofof]nt k]l ; ldf c]tu] kg]eP bkrf !)-# adf]hd k]lsf]cfwf/df ; fe]bf/L kmd{btf{b:t' bflvnf ug{nuf0{ ; llg cg' rL !\* adf]hdsf]9fFfsf] ; fe]bf/L kmd{btf{kdf0f kqdf ; d] pBf]un]kfngf ug{kg]zt? p]n]y ul/ ; fe]bf/L kmd{btf{kdf0f kqsf ; y}cg' rL !( adf]hdsf]9fFfsf]kq ; d] lbg' kg5 .

!= cg' rL !% adf]hdsf]9fFfdf el/Psf]b/vf:t ævÆ krf/fd .

@= ; fe]bf/x?sf]gful/stfsf]kdfloft kl]tlnk .

#= ; femf/x?n]cfk; df u/\$f]; femf/l salnotgdf .

\$= cgdlt lng'kg[pBf]usf]xsdf cgdlt kq .

%= cgdlt lng' kg[tyf IEE jf EIA u/fpg' kg[pBf]usf]xsdf l:sd . t/  
cgdlt lng' gkg[tyf IEE jf EIA u/fpg' gkg[pBf]usf]xsdf ; fwf/oftofl  
l:sd cfj Zos kg[5g] .

^= b/l kdfloft÷cGo lgsfosf] l; kmf/z Pj +k|tlqmf÷; h[dg drNsf÷hUufwgl  
kdfokhf÷ dGh/Lgdf÷hUufsf]gS; f cflb cfj Zos kg[pBf]usf]xsdf To:tf]  
kdfloft jf l; kmf/z Pj +k|tlqmf k|kt ePsf] kq .

&= /fxbfgl ; f0hsf]kmf]@÷@ k|t .

\*= lgj hg b:t/ jfkt ?= %- aemPsf]/l; b .

**!)@# k[0e Inld6 jf klAns Inld6 sDkgl**

sDkgl Pq, @)%# cg; f/ k[0e Inld6 jf klAns Inld6 sDkgl]sf]?kdf pBf]u  
btf{ug{rfxg]JolQm]sDkgl /lhi6&/sf]sfoffnodf sDkgl btf{u/f0{; sKl5 pBf]u  
btf]nflu cg; rL !% adf]hdsf] b/vf:t ævÆ kmf/fdsf] ; fydf lgDg Inlvt  
sfuhftx? ; mlg ul/ l/tk] \$sf]b/vf:t kZ u/df k]ofof]nt kFl l; df leq /lx  
; DalGwt sfoffon]cg; rL @) adf]hdsf] 9fFdf pBf]un]kfngf ug{kg[zt?<br>; d] tfls sDkgl]sf]?kdf pBf]u btf{kdfokqsf ; fy}cg; rL @! adf]hdsf]  
9fFdf kq ; d] lbg'kg] . sDkgl]sf]?kdf pBf]u btf{ubf{?=- %- sf]lgj hg b:t/  
afx\$ cGo btf{b:t/ aempg' kg[5g] . o:tf kl= ln= jf k= ln= sDkgl]sf]gfddf  
5\$ 5\$}p2Zo, ju{/ kFl /flv pBf]u btf{ug{k/df ; fxl adf]hd sfo{ug{<br>sDkgl]sf]kpw kqdf ; d] p2Zo pNny e}sDkgl /lhi6&/sf]sfoffoaf6 :jls[t  
NofPd f; fxl cg; f/ 5\$5\$}pBf]u btf{ug{; lsg]5 .

!= ; mlg cg; rL !% adf]hdsf]9fFdf l/tk] \$ el/Psf]b/vf:t ævÆ kmf/fd .

@= ; :yfks zp/xf]8/x?sf]gful/stfsf]kdfloft k|tinlk .

#= sDkgl btf{kdfok kq, kjGw kq / lgodijnl tyf sDkgl btf{kqsf]  
k|tinlkx? .

\$= cgdlt lngkg[pBf]usf]xsdf cgdlt kq .

%= cgdlt lng' kg[tyf IEE jf EIA u/fpg' kg[pBf]usf]xsdf l:sd . t/  
cgdlt lng' gkg[tyf IEE jf EIA u/fpg' gkg[pBf]usf]xsdf ; fwf/oftof  
l:sd cfj Zos kg[5g] .

^= b/l kdfloft÷cGo lgsfosf] l; kmf/z Pj +k|tlqmf÷; h[dg drNsf÷hUufwgl  
kdfokhf÷ dGh/Lgdf÷hUufsf]gS; f cflb cfj Zos kg[pBf]usf]xsdf To:tf]  
kdfloft jf l; kmf/z Pj +k|tlqmf k|kt ePsf] kq .

&= /fxbfgl ; f0hsf]krf]@÷@ k|t .

\*= lgj dg b:t/ jkt ?= %- aemPsf]/l; b .

bi6Jo M- pBf] bt{ kdf0fkq hf/L ubf{ kdf0fkqdf ; d] :ki6 ?kdf pBf]sf] pTkbfg lfdtf kl/df0f / 0sf0 ; d] vhfpg' kg5 .

**!)-# /lhi6zg b:t/**

kf0e kmd{/lhi6zg Pq, @)!\$ / ; femf/L kmd{/lhi6zg Pq, @) adf]hd pBf] bt{ tyf glj s/of ubf{ kflsf] cfw/df bxf0 adf]hdsf] bt{b:t/ /fh:j vftfdf bflvnf ug{ kg5 . klxn] kf0e kmd{sf] ?kdf bt{ePsf] kmd{ ; femf/L kmd{sf] ?kdf jf klxn] ; femf/L kmd{sf] ?kdf bt{ePsf] kmd{ kf0e kmd{sf] ?kdf bt{kl/j t g ug{ kg]ePdf sh kfl nufgl]sf] cfw/df gof kmd{bt{ ; /x k'/} /fh:j aemfpg' kg]5 .

**kmd{bt{b:t/**

sh kfl nufgl	kf0e kmd{	; femf/L kmd{
	/lhi6zg b:t/ ?=	/lhi6zg b:t/ ?=
?= @),,)))- ; Dd	^)-	%))-
? %),,)))- ; Dd	!@)-	!)))-
? !),,)))- ; Dd	#)))-	@%))-
? #),,)))- ; Dd	!!&)-	*%))-
? %,),,)))- ; Dd	!(%))-	!\$)))-
? !),,)))- ; Dd	#()))-	#)))-
? %),,)))- ; Dd	%*%))-	\$%))-
?= %),,)))- eGbf dfly	&*)))-	^%))-

**bi6Jo M!** sDkgl Pq, @)%# cg' f/ sDkgl]sf] ?kdf pBf] bt{ePsf] To:tf] sDkglnf0{kf0e kmd{jf ; femf/L kmd{sf] ?kdf kl/0ft ug{kf0g]5g .

@\_ sDkgl Pq, @)%# cg' f/ bt{ePsf] sDkgl]sf] gfddf pBf] bt{ubf{ lgj dg b:t/ ? %- afx\$ c6o b:t/ nflg]5g .

**!)-\$ lhNnf l:yt 3/h' tyf ; fgf pBf] sf0f]odf bt{u/fpg' kg]**

lhNnf l:yt 3/h' tyf ; fgf pBf] sf0f]ox?n] 3/h' tyf ; fgf pBf] lj efuaf6 k]of0f]ht clwsf/sf]khl ; ldfleq /xl pBf]ux? bt{ug{kg5 . ; fy}IEE/ EIA ug{ kg]pBf]ux? ; f]sf]kl]tj dg :jls[ ePk]5 bt{ug{kg5 .

!)-\$=! pBf]usf]zfvf vfl]g; lsg]M

; #fng e0{/x\$ f pBf]ux?n] ; flj sssf] :yfgsf] cltl/Qm cToq 7f]df gof+olg6  
-zfvf olg6\_ dfu u/df pkoSttf x]L vfl]g :j]ls[t lbg].

-cf]k]j f]f]s]!%( cf]a]s\_

!)-% pBf]usf]k\$[tsf]cfwf/df pBf]un]kfngf ug{kg]zt? pNn]y ug{kg]

pBf]u :yfkf kZrft xg ; Sg]jftfj /Of k]l]fOf, hg:jf:Yodf kg{ ; Sg]k]tsh c ; /  
cflb ; DaGwdf pBf]usf]k\$[t, pBf]uaf6 lg:sg]k]m]x/sf]cfwf/df ; a}pBf]ux? Ps}  
k\$[sf]g]xg] sg}pBf]u 3fts tyf vt/fk]f{xg]ePsf]h]To:tf pBf]usf] :yfkf,  
lj:tf/ Pj +lj]lws/Ofaf6 kg{ ; Sg]k]tsh c ; /nf0{sd ug{tyf lgoGqOf ug{  
k]t/f]w]f]ds pkfox? c]n]dag ug{ ; lsg]ePsf]h]To:tf pBf]ux? :yfkf tyf  
; #fng ubf{kfngf ug{kg]zt? pNn]y ug{kg] .

!)-% 06f pBf]u

S\_ k/Dk/fut Moving Bull Trench Kiln -sf7df8f]-pk]osf j flx/\_

06f pBf]u btf{ubf{b]fo adf]h]dsf zt? pNn]y ug{kg] .

!= zx/L lf] af]x/ 3gf j]l:t -!))) jf ; f]eGbf a9L hg; Wof jf @)) jf ; f]eGbf  
a9L 3/w/L Ps}7fp]f s]b]t e}a; f]f; ul//x\$] lf] af6 s]Dtdf ! lsnf]  
ld6/ 6f9f pBf]u :yfkf ug{kg] .

@= e\$ (Kiln) sf] s]b] l]Gbaf6 s]Dtdf @)) lkn]sf] /]8o; sf] h]luf pBf]un]  
k]f]u ug{kg] . o; sf]nflu g]kl zfvfsf]k]f]l]ft g\$; fdf \$)) lkn] n]daf0 /  
\$)) lkn] r]f]f]Pp6}r]sn]sf]h]luf pkn]Aw u/]sf]xg]kg] . h]luf ef8fdf  
lnPsf]eP s]Dtdf % j if\$]flu ; e]f]f u/]sf]xg' kg] .

#= 06f e\$ ag lf]af6 s]Dtdf % l\$= ld= 6f9f -pBf]u :yfkf ug{kg] . (IEE  
:j]ls[tsf]nflu dfq\_

\$= ; fj h]lgs :yn, kf6L kf]f, af6f] 0gf/ cflbnf0{xfgl gf\$; fgl gk]of0{pBf]u  
; #fng ug{kg] .

%= 5/ l5d]nf0{afwf gk]of0{pBf]u ; #fng ug{kg] .

^= jftfj /Of k]l]fOf g]xg]ul/ pBf]u ; #fng ug{kg] .

&= pBf]u ; #fng ubf{pBf]udf e]x\$]sfd sf/jfxlnf0{dh ; 8saf6 gb]vg]ul/  
; #fng ug{kg] .

\*= pBf]u ; #fng ug{cuf]8 df6f]s6fg of]hg]f k]z ug{kg] .

df6f]s6fg of]hg]sf]l]Zn]f]f ubf{lg]dg s/]fx?df Wofg lbg' kg] M

!\_ 0\$ e\$ /flvg]h]dlgsf]h]lufw]g]sf]:j]ls[t kq k]z eP gePsf]

@\_ h]luf ln]f alr]sf]h]luf g5f]l lnP glnPsf]

#\_ hldgsf]:j?k cglrt tl/sfn]lj ug]glj ug]  
 \$\_ ; fj hlgS :yn h:t}af6f] lj hhlSf]vDj f, wf/f / kf0k, 9n, kf6L kf}f,  
 0gf/ / sjf tyf c6o :ynx?sf]; Af0f xg]eP gePsf]  
 %\_ hldgsf]; fW ; ldfgf :ki6 ?kdf /flvPsf]g/flvPsf].  
 ^\_ df6f]pIvvggsf]sfo{; dfkt eP kl5 hluSdf l; #f0 ; lj wf klG]gklG].  
 &\_ IEE klTj hgdF pNn]vt s'/x? kfngf ug{kgF .

06f pBf]u :yfkgyf{pBf]un]kpf]u ug]hluSf]rf}lkm{; fW ; lwof/sf]; xdlT  
 ; lxtsf]l/tk} \$sf]; hldg drNsf ; d} k}z ug{kgF .

-V\_ gofFklj lw fixed chimney / VSBK sf]06f e\$fsf]nflu lgDg cg' f/ zt{x? tf\$g'  
 kgF .

-cf}k}f\$}sf]!^& cf}a}ssf]lg0f6\_

!\_ sf7df8f}pkIosfdf Moving Bull Trench Kiln Sg}xfntdf klG kpf]u ug{  
 gkf0g]. Fixed Chimney jf VSBK dfaq kpf]u u/l ptkfbg ug{kgI.

@\_ pBf]un]gof+klj lwdf cfwf/t 06f pBf]u ; #fngsf]nflu gof+klj lwsf]  
 06f e\$fsf]s[b]lj Gbj f6 sldtdf @)) lkm6sf]/l8o; klG] (VSBK sf]  
 xsdf cf}k}f\$}sf]!^( cf}a}saf6 !)) lkm6 sfod hluSf]pBf]usf]  
 cfkm6} :j fldTj df ePsf]kdf0f k}z ug{kgI ; f] gePdf ; f] j /fj /sf]  
 hluSf]ls0f gDj/x? ; d} pNn]v u/l sldtdf % -kfF\_ j if\$}nflu  
 ef8fdf lnPsf]kdf0f k}z ug{kgI.

#\_ jg lfhaaf6 sldtdf % ls=d= 6f9f :yfkgyf ug{kgI.

\$\_ pBf]u ; #fng clw df6f]s6fg of]hgf tyf Reclamation of]hgf k}z ug{  
 kgI.

%\_ bfp/f, /j/, 6fo/, knfli6s h:tf j:tx? 06wgsf] ?kdf kpf]u ug{  
 gkf0g]/ >l % sf]; /sf/n]sf0nfsf]:6f088{tf\$}df ; f}l adf]hd xg]  
 u/l xfnsf]nflu pkoQm sf0}nf dfq pBf]un]kpf]u ug{kgI.

^= Emission Standard for Suspended Particular Matter pBf]usf]nflu ( ) Mg/Nm  
 xg' kgI.

&\_ VSBK sf] ; Dj Gwdf sh prf0{Go}td \$) lkm6 / Fixed Chimney Sf]  
 ; Dj Gwdf Induced Draught Fan Operating (Forced Draught) lj gfsf] Kiln / Fixed  
 Chimney sf]sh prf0{Go}td #) ld6/ xg' kgI. Gravitational Setting  
 Chamber /fVg' kgI. Induced Draught Fan Operating (Forced Draught) Sf] xsdf  
 Chimney sf]prf0{Go}td !& ld6/ xg' kgI.

\*\_ wgfj :tlaf6 ! ls=d= 6f9f pBf]u :yfkgyf ug{kgI. (VSBK sf] xsdf  
 %) ld6/ eP klG]

-cf}k}f\$}sf]!^( cf}a}ss\_

- ( \_ pBfU ; #fng ug{kj {lj efuj f6 lgl/lf0f u/fpg' kgI.
- !)\_ lj lwj t ?kdf btf{ePsf 06f pBfU ; #fngsf]l; nl; nfd fckgf06]sg} klg ; d:of / lalj wf lg/fs/0fsf] nflu lj efu, 06f Joj ; fol ; 3 / ; Dj lGwt pBdlN]lg/Llf0f ul/ ; 0Qm ?kdf kxn ugI.
- !!\_ >l % sf] ; /sf/n]gkfn /fhkqdf ; r'gf k\$flzt u/l wj#fsf]dfkb08 (Emission Standard) lgwf{0f u/\$f]v08df ; f]dfkb08 cg' f/ xg]u/l e\$# ; #fng ug{k}gI. ; f]gu/\$f]kf0Pdf btf{vf/h ug{; lsg].

**!)=%@ /f\$#, 9uf pBfU**

/f\$#9uf pBfU]sf]; DaGwdf lgDg adf]hdsf zt{x? tf\$g' kg\$ .

!= IEE kl|tj hgd f pNn]vt ; Dk0f{abfx? clgj fo{?kdf kfngf ug{k}kg\$ .

@= qmz/ d]zgsf]nflu ; \$ clgj fo{?kdf /fv' kg\$ .

#= j km/ hfqdf j [ff/flk0f ug{k}gI.

\$= gu/kflnsf lfqdf :yfkf ug{kf0g]5g .

%= ufpRj sf; ; ldldf 3gf j :tl -!))) j f ; f]eGbf a9L hg; Wof jf @)) j f ; f] eGbf a9L 3/w/l Ps}7fpdf s]b} e)a; f}f; ul//x\$]lfq\_ af6 slDtdf @ ls= ld= k/ pBfU :yfkf ug{k}kgI5 .

^= qmz/ d]zg /flvPsf]:yfgaf6 slDtdf !)) lkm6sf]/]8o; sf] hlluf pBfU]n] kpfU ugI Joj:yf ug{k}kg\$ . o; sf]nflu gfkla6 kdfloft g\$; fdf @)) lkm6 ndj f0{/ @)) lkm6 rf\$0\$]Pp6}rSnfsf]hlluf pknAw u/\$f]xg' kg\$ .

&= 5/ l5d\$nf0{afwf gk%of0{pBfU ; #fng ug{k}kg\$ .

\*= pBfU ; #fng ubf{pBfUdf e/x\$]sfd sf/j fxlNF0{dh ; 8saf6 gb]vg]ul/ ; #fng ug{k}kg\$ .

(= whf]f0{j flx/ lg:sg glbg qm / rNbf kfgl 5sl{lgoGq0f ugI klj lw clgj fo{ ?kdf h8fg xgkgI.

!)= j fo' Pj +Wj gl kpf0fsf] ; DaGwdf /fli6@ u0f:t/ tof/ eP kl5 ; f] u0f:t/ cg' f/ lgoGq0f ul/g' kg\$ .

**!)=%# vfB; f/l pBfU**

vfB; f/l pBfU]sf]nflu lgDg lnlt zt{x? tf\$g' kg\$ .

!= IEE kl|tj hgd f pNn]vt ; Dk0f{abfx? clgj fo{?kdf kfngf ug{k}kg\$ .

@= pBfU gu/kflnsf lfqaf6 & lsnf]ld6/ 6f9f :yfkf ug{k}kg\$ .

#= Effluent Treatment Plant clgj fo{?kdf /Vg' kg\$ .

\$= Effluent sf]:t/ g] u= @@( sf]; ldf leq /xg' kg\$ .

%= pBf] ; #fng ubf{lg:sg] ; f]n8 jf c6o j]6]hnf0{pkoQm tl/sfn] cf^g} hluufdf pkoQm dfllbdaf6 lg/fs/0f ug{kg\$ .

^= Fly Ash lgo6q0fsf]pkoQm pks/0fsf]Joj :yf ug{kg\$ .

&= jftfj /0f kblf0f gxb]u/L pBf] ; #fng ug{kg\$ .

\*= 5/ l5d\$nf0{afwf gk%of0{pBf] ; #fng ug{kg\$ .

(= pBf] ; #fng ubf{pBf]df e}x\$]sfd sf/jfxlnf0{dh ; 8saf6 gb]vg]ul/ ; #fng ug{kg\$ .

!)= vfB; f/l pBf] :yfkgyf{; Dal6wt uf= lj= ; = sf]l; kmf/z ; lxt pBf]n]kpf] ug] hluufsf] rf]lkm{ ; fW ; fWof/sf] ; xdlf ePsf]l/tk] \$sf] ; h[dg dr]nsf ; d] k] ug{kg\$ .

**!)=%\$ Pn= lk= lbfF**

Pn= lk= lbfF pBf] :yfkgyf{lgDg lnlt zt(? tflsPsf]5 .

!= IEE kl]tj dgdf pNn]vt ; Dk0f{abfx? clgj fo{?kdf kfngf ug{kg\$ .

@= ; /lff Joj :yf (Safety Measure) ; Dal6w pkoQm Joj :yf ug{kg\$ .

#= pBf]af6 lg:sg]j ]6]hnf0{pkoQm tl/sfn]lg/fs/0f ug{kg\$ .

\$= /f; folgs kbfsf]kpf] Handling code of Practice agf0{sfdbf/x?nf0{ hfgsf/l u/f0{nfu"ug{kg\$ .

%= cge]j kl]lws ; mlg u/f0{sfo{ug{kg\$ .

^= pBf]nf0{cfj ; lqaf6 slDtdf ! ls= ld= 6f9f :yfkgyf ug{kg\$ .

&= ; /lffsf]nflu clgl lg/f]ws ; 6qsf]Joj :yf ug{kg\$ .

\*= 5/ l5d\$nf0{afwf gk%of0{pBf] ; #fng ug{kg\$ .

)= pBf] ; #fng ubf{pBf]df e}x\$]sfd sf/jfxlnf0{dh ; 8saf6 gb]vg]ul/ ; #fng ug{kg\$ .

!)=gu/ lj sf; Pq nfu' ePsf lqdf gu/ lj sf; ; ldtsf]/ g\$; f ; d] kf; ug{ kg]7fpBf ; Dal6wt lgsfoaf6 g\$; f ; d] kf; u/] dfq pBf] ; #fngsf]nflu 3/ lgdf0f ug{kg\$ .

**!)=%-% knfli6s u0fgPN; df cfwf/t pBf]**

Knfli6s u0fgPN; t}f] dh5af6 k7f/L ul/Psf]jf :yfglo :qm0fkaf6 agf0Psf] u0fgPN; af6 lj le6g ; fdfgx? pTkfbg ugI pBf]usf] nflu lgDg lnltv zt{x? tfl]sPsf 5g\

!= IEE kl]tj }gdf pNn]lvt ; Dk0f{abfx? clgj fo{?kdf kfngf ug{kg5 .

@= pBf]uaf6 lg:sg]j }6}hnf0{pkoQm tl/sfn]lg/fs/0f ug{kg5 .

#= sRrf kbfsf]kdf :qm0fk k0f] ugI pBf]un]:j b}L Knfli6s :qm0fk g}k0f] ug{kg5 .

\$= Knfli6s :qm0fkaf6 ; fdfg pTkfbg ugI pBf]un] Knfli6s :qm0fkaf6 ag\$] ; fdfgdf vfB j:t' /Vg gxg]e6g]Joxf]f hfgsf/L u/fpg' kg5 .

%= Knfli6s :qm0fkaf6 Knfli6s u0fgPN; agf0{ lj qm ugI pBf]un] Knfli6s :qm0fkaf6 ag\$] Knfli6s u0fgPN; xf] e6g] hfgsf/L v/lbstff0{ lbg' kg5 .

^= Knfli6s em]hf pTkfbg ugI pBf]unf0{ g]kn /fhkq v08 %) ; Wof # ldt )%&!!( / ; Wof \$ efu \$ dlt )%&!!.^ df k\$flzt ; rgf cg' f/ lgDg zt{x? ; d] tf\$g' kg5 .

-s\_ :j b}L pkef]usf]nflu Knfli6ssf]em]hf pTkfbg ubf{@) df0qmf] j f ; f] e6bf j 9l df0s]g]dfq pTkfbg ug{kg5 .

-v\_ pBf]un]pTkfbg u/\$] Knfli6s em]hfsf]k]o\$ Kofs}df To:tf em]hf pTkfbg ugI pBf]usf]gfd / pTkflbt em]hf slt df0qmf]sf] xf] e6g] s/f :ki6 j lem]u/L pNn]y ug{kg5 .

&= pBf]u ; #fng ubf{pBf]udf e}x\$]sfd sf/jfxlnf0{dh ; 8saf6 gb]vg]ul/ ; #fng ug{kg5 .

\*= elhg Knfli6s lofgbN; df cfwf/Lt l:y/ khl ?= !) nfv e6bf a9l ePsf] pBf]usf]nful IEE kl]tj }g :j ls} xg' kgI xbf IEE kl]tj }gdf pNn]lvt s/fx? kfngf ug{kgI5 .

### !)=%^ lkng]h pBf]u

ls6gfzs c]fwl c}tu} kgI lkng]h pBf]u :yfkgy{lgDg lnltv zt{x? tfl]sPsf 5g\

!= Effluent sf]:t/ g} u= @@( sf]; ldf leq /xg' kg5 .

@= ; %lff Joj :yf (Safety Measures) sf]pkoQm Joj :yf ug{kg5 .

#= ; Dal6wt lj ifosf cge]j kl]j lws ; #llg u/f0{pBf]u ; #fng ug{kg5 .

\$= sfdbf/x?sf]:jf:Yodf klts h c; / kg{glbg df:s, khf, Pkfhg cflb pknAw u/fpg' kgf .

%= pTkfbg slfdf Exhaust Fan sf]Joj :yf ug{kgf .

**!)=%& klts /zaf6 j:t' pTkfbg ug{3/h' pBfufsf]kl6f0M**

Pgsf]cg'; hL ! df klts /] faf6 j:t' pTkfbg ug{pBfufnf0{3/h' pBfufsf]j udf /flvPsf]5 . t/ af\$sf] (! cf)a]sn]sRrf kbfi{ljbzaf6 lemsfpg kg{klts /zdf cfwl/t pBfufnf0{3/h' pBfufsf]j udf /fv gldNg]u/L lg0f6 u/\$fh]pBfu btf{ubf{sRrf kbfi\$sf]>f] :ki6 u/fP/ dfq o:tf]pBfu 3/h'jf cfo sg ju df btf{ug{xf]olsg u/L btf{ug{kgf .

**!)=%\* ag kbfi/df cfwl/t pBfu**

jg kbfi/df cfwl/t pBfu btf{ug]; Dj Gwdf bxf0 j df]hdsf]Joj :yf ePsf] 5 .

!= jgh6o pBfufsf]; DaGwdf ag tyf e"; Af0f dGqfnosf]kq ; Wof ; b' l6= g# !).)\$(.%)%#!.@\*!^ ldt @)\$(.@! sf]kqaf6 lgDgfg'; f/ n]v cfPsf]h] pBfu btf{ubf{bxf0 adf]hd ug{kgf .

s= ag lqaf6 g}ag kbfi/ pknAw u/fpg' kg{ePdf ag tyf e"; Af0f dGqfnosf] k] {jls[t lnP/ dfq gofPpBfu :yfgf ug{lbg}.

v= ag lqaf6 ag kbfi/ pknAw u/fpg' kg{gePdf pBfufsf] lfdtf cg?ksf] sRrf kbfi{pknAw xg ; Sg]g; Sg] ; Sg]eP sg >f]af6 s; /L pknAw xg]xf] ; f]olsg u/] dfq :jls[t lbg}.

u= dfly k\$/of -!\_ / -@\_ adf]hd btf{xb]pBfux? t/f0{tyf leql dwzdf ag lqaf6 sDtdf % ls= ld= 6f9f / kxf8df # ls= dl= 6f9f xg' kg]. o:tf]pBfu btf{sf]hfgsf/L ag ljefu tyf lhNnf ag sfofnonf0{clgjfo{?kn]lbg' kg].

3= o; cl3 btf{e}; ~rfng e}/x\$ f t/ t/f0{tyf leql dwzdf ag lqaf6 % ls= dl= / kxf8 tkh ag lqaf6 # ls= dl= leq kg] 06f, 6fon, ; Mln h:tf pBfux? ag ; Af0fsf]b]6sf]af6 ag lqaf6 eGbf qmdzM % ls=dl= tyf # ls=dl= 6f9f ; fg{kg]. o: sf]nut lhNnf?af6 ; sng u/L ag tyf e"; Af0f dGqfnon] pBfu dGqfnonf0{ pknAw u/fpg] / pBfu dGqfnon] To:tf pBfux?nf0{ clgjfo{?kn]; fg{nufpg' kg].

8)=lhNnf leq 7fpF; fg]0hfht dfly bkif -3\_ adf]hd pNn]v ePsf]b'/ldf pBfu dGqfnon]g}lbg]/ To; sf]hfgsf/L clgjfo{?kn]ag lgsfonf0{pknAw u/fpg' kg]. t/ xfn dGqfnon]ljefunf0{ljefun]sfofnox?nf0{clwsf/ lb0Psf].

r= pBf]sf]gfd; f/l ug{ag tyf e' Af0f dGqfnosf]; xdlit ln0 /xg' gkg]t/  
o; sf]hfgsf/l ag lgsfonf0{lbg' kg].

**b]6JoM**dfly -3\_ df h]h:tf]Jo] :yf ePsf]ePtf klg 06f 6fon / ; Mlnsf]; DaGwdf hg; S}  
lf]df :yfkf ug{To:tf pBf]ux?nf0{jftfj/0flo ; Af0f lgodfj nl @)%\$ adf]hd  
IEE sfnflu jg lf]af6 sDtdf % ls=d= leq :yfkf ug{kf0g]5g} .

@= jg k]fj f/df cfwf/t ; fgf :t/sf pBf] h:sf]jflif\$ sf7 vkt !)) So#knb  
eGbf j 9l xbg] To:tf pBf]n]SRrf kbfi{cfknh]pknJw ug]tyf clws] lj q]tfj f6  
pknJw ug{kf]ul/ lhNnsf]; b/ d'sddf :yfkf ug]; xdlit k]k]t ePsf]To:tf  
pBf] :yfkf ug{jg lf]sf]bl/ k]f]0ft u/f0 /xg' gkg]. -jg ljefusf]k=; #^  
j=j=#.#)%@)%# r=#!@!& ldlit )%#.#.@& sf]kqj f6 ; xdlit k]k]t ePsf].

#= jg k]fj f/df cfwf/t pBf] leql dw] / t/f0df jg lf]f6 % ls=d= eGbf  
6f9f / cG0 lf]df eP # ls=d= eGbf 6f9f xg' kg]j Gb]h ; Dj Gwdf cfB]us lf]  
leq o:tf pBf]ux? :yfkf ug{cfPdf :jls[t lbg]cyf] cfB]us lf]df ; f]b/L  
j Gb]h nfu' gxxg].

-cf]k]j f]B]sf]ldlt )%&.@.^ sf]!%\$ cf]j }ssf]lg0f0\_

\$= jg k]fj f/df cfwf/t kmgf/ pBf] :yfkf ug]; Dj Gwdf sf7df08f]pkTosfsf  
lhNfx?sf ; Dj Gwdf cf]k] j]B]sf] !#@ cf]j }ssf] lg0f0sf] clwgd /xl  
pkTosfsf] ; Dk0f{ lf], cG0 lhNfx?sf] xsdf gu/kf]nsf / lhNnsf] ; b/  
d'sfd lf] leq /fli60 jg ; ldfgfj f6 kxf8 eP # ls=d= leql db]z tyf  
t/f0df eP % ls=d= lf] leq pBf] :yfkf ug{gkf0g]j Gb]h x6fpg].

-cf]k]j f]B]sf]ldlt @)%&.^!# sf]!%% cf]j }ssf]lg0f0\_ .

**!)=\*=! kmgf/, ; Mln, sTyf pBf]**

sf7sf]kmgf/ pBf]nf0{!\*E eGbf a9lsf]a08 ; M cfj Zos gkg]x]f kmgf/  
pBf] bt{ubf{!\*E eGbf a9lsf]a08 ; M /fvl bt{gug]. !\*E eGbf a9lsf]  
a08 ; M dVotM ; Mlnsf]nflu k]f] ul/g]x]f !\*E eGbf a9lsf]a08 ; M /fvl  
pBf] bt{ug{rfx]df ; Mlnsf]?kdf dfq bt{ug{k]g} .

ag k]fj f/df cfwf/t kmgf/, ; Mln sTyf h:tf pBf]ux? bt{ug]sf] nflu  
rf]k]k] ; f]w ; f]wof/n]To:tf]pBf] ; #fng ubf{afw lj /f]w gkg]/ k]f]0f gxxg]  
eGg]Joxf]f ; lxtsf]; h]lg d]Nsf / ; j]Gwt uf= lj= ; = jf gu/ kf]nsfsf]  
l; k]f]l/z k]z ug{k]g} .

**!)=\*=@ h8la6l, n]tf tyf cG0 jg k]fj f/df cfwf/t pBf]**

h8la6l kzf\wg ug\j f sRrf kbfsf] ?kdf nfdnf kpf\ ug\ ag kbfj /df  
cfwl/t c6o pBf\ bt{ug{cl3 ; Dal6wt lhNnf jg sfofhosf] ; xdit lng'  
kg5 .

b\6Jom- jg kbfj /df cfwl/t pBf\sf] jg l; dfaf6 pBf\ :yn; Ddsf] b/l kpf\0ft  
lhNnf jg sfofhosf clws\ k|tlglw-; ofhs, gkl sfofhosf ddg-; b:o,  
lhNnf 3/h' tyf ; fgf pBf\sf k|tlglw ; b:o /xsf]6fhln]ug\ -jg ljdfo jg  
kbfj / zfvfsf] k; = ^ j=dg= @÷@÷ )%(.^) g= !\*\$ ldit @)%(.&!% sf]  
kqfg' f/\_

**!)=-( rfdn, Ro/f, kl7f] d; nf, bfn / t\h dln**

rfdn, Ro/f, kl7f] d; nf, bfn / t\h dln :yfkf ug{bt{kp\0fkq hf/l ug{cl3  
; Dal6wt uf= lj= ; = jf gu/kfnsfaf6 rfxknl{; fw ; twof/ ; d]n]; xdit hgfPsf]  
l/tk] \$sf]; h6lg dhNsf, pBf\ ; #fngaf6 jftfj /0f kpf\0f gxg] / 5/15d\$nf0{  
afwf gkg]e6g]Joxf]f ; lxt ; Dal6wt uf= lj= ; = jf gu/kfnsfsf]l; kmf/z k\ ug{  
nufpg' kg5 . o:tf pBf\sf]l:y/ kfh ? !) nfv e6bf j9l ePdf IEE ; d]  
u/fpg' kg5 .

**!)=!) cf\wl pBf\**

lj le6g ksf/sf cf\wlx? p\kfbg ug\ul/ pBf\ bt{sf]nflu b/vf:t k\ xg cfPdf  
cf\wlsf]k\$[t / p\kfbg k\$6f cg' f/ cfoj] os cf\wlsf]xsdf cfoj] lj efu /  
c6o cf\wlsf]xsdf cf\wl Joj :yf lj efusf] ; xdit k\ ug{nufpg' kg5 . o:tf  
lgsfox?af6 tfl]sg]zt\? clgj fo{?kdf kfngf ug{kg]zt{; d] pNn\ u/l pBf\  
bt{ug{kg5 . cf\wl pBf\sf]lgj dg ln6f :sld tyf p\kfbg k\$6f ; d] vNg]  
lj :t\ lj j /0f lng' kg5 .

**!)=!! vlgh pBf\**

vlgh p\vgg\j f kzf\wg ug\pBf\ bt{ug{vfgl tyf e6e{lj efusf] ; xdit tyf  
IEE/EIA k|tj dg ; d] k\ ug{kg5 . vfgl ; Da6wl o:tf pBf\ux? bt{ubf{  
; fdf6otof lgdgf; f/sf zt\? kfngf xg]gxg]x]l sfoffox?n]lj efudf l; kmf/z  
ug{kg5 .

!= ; /lffsf]plrt kj 6w ldnfpg' kg5 .

@= e\fo gxg]Joj :yf ug{kg5 .

#= jftfj /0f kpf\0f gxg]Joj :yf ldnf0{pBf\ ; #fng ug{kg5 .

\$= sfo{of]hgf cg' f/ dfq sfo{ug{kg5 .

%= tf\$]sf]7fp6f dfq pBf\af6 p\vgg\of pBf\sf]sfo{; ~rfng ug{kg5 .

^= 5/ 15d\$af6 afwf lj /f\ ePdf c6oq 7fpF; fg{kg]6b ug{kg5 .

&= vfgl tyf eüe{lj efun]tf\$}f ; Dk0f{zt{x? kfngr ugkgf .

**!)=#!@ u/ uxgf pBfũ**

; g, rfb, lkQn, tdf, sldtl tyf cw{sldlt kly/ nufotsf lkmlul/L ; dfg, uxgf, dlt{efBf cflb agfpg]pBfũn]Pq]sf]cg'; Ħ! ! adf]hd % lsnf]f6e6bf a9L lj B't\zlQm kofũ gu/df 3/h' pBfũsf]j udf kg[ePsf]h]pBfũ btf{ubf{dl]zg/L tyf lj B't zlQm :ki6 u/fP/ 3/h' pBfũ jf ; fgf pBfũ sgdf kg[xf]:ki6 vhf0{ btf{ug{kgf . pBfũn]kofũ ug{kly/ lsdtl jf axdNo hjflx/ft ePdf lgsf; L tyf k7f/ldf kl]tj l6wt a:t' ePsf]h] ; f]sf]nflu j fl0f]Jo lj efuaf6 5\$}cgdlt lng' kg]zt{pNn} u/L btf{ug{; lsg]5 .

**!)=#!# vfB kzfũg pBfũ**

!)=!( df pNn} ePsf] afx\$ lj le6g vfB kzfũg pBfũx? -h:t} rfprfp, bfnf7, kfp/f6L, kfk8, cfnlrk; , d/d; nf, rsn6, lj :s6, cf0; lqmd, hfdh]l, kfl]6s cxf/, cflb pTkfbg ug] btf{ug\$]nflu lgj 6g kg{cfPdf s[bl]o vfB cg'; Gwfgzfnaf6 cg'1fkq lnP/ dfq pTkfbg tyf laqm lj t/0f ug{kfpg]ePsf]h] pBfũ btf{ug{cl3 s[bl]o vfB cg'; Gwfgzfnaf6 kl]ts6f ; d] lng' kgf . o:tf pBfũsf]l:y/ kfh ? !) nfv e6bf j 9L ePdf IEE ; d] u/fpg' kg]5 .

**!)=#!\$ ko6g pBfũ**

Pq cg'; f/ ko6g pBfũ elg tfl]sPsf pBfũx? btf{ug{cufl8 ko6g lj efusf] l; kmf/z lng' kgf . t/ /]6/fFtyf af/ ; fng ug]pBfũ ; lw}Pq]sf]bkrf # -<sup>a</sup> ju6f /flv btf{ul/ lbg ; lsg]5 t/ Soflj g ; lxtsf]/]6/06 btf{gug].

**!)=#!% lgdf6f pBfũ**

Pq]sf]bkrf # -5\_ df pNn]vt cfjfl; o tyf Jofkfl/s sDkn\$; lgdf6f u/L ; ~rfng ug]pBfũsf] ; Da6wdf :ki6 kfg{3/h' tyf ; fgf pBfũ ljefu, pBfũ ljefu / cfj; tyf efl]ts of]hgf d6qfno ; d]sf kl]tlglwx? al; ldit @)%#!.\* df 5nkm ubf{b}fo adf]hd xg' kg]e6g]lg0f6 ePsf]h] tI; Da6wdf b}fo adf]hd ePdf dfq lgdf6f pBfũ btf{ug{kgf .

**!)=#!% Jofkfl/s sDkn\$;**

!= Jofkfl/s sDkn\$; sf]nflu ; k/ dfs6 jf l8kf66]6n :6f]sf]cj wf/0ff ; lxt lj le6g lsl; dsf k; n, sfof6o cflb /xg]x6f ; f]sf]nflu cfj Zos efl]ts k]f]wf/x?sf]kof]t ; lj wf k}ofpg]u/L tof/ ul/Psf]lj j/0f ; lxt cfj 6g lbg' kg].

@= Go6td @ /f]kgl hluuf xg' kg].

#= ejg lgdf6f ubf{ejgsf]agfj 6 cg'; f/ cfj Zos kfgl, 6]nkmf6, lj hhl, 9n jf ; ]6l 66f]l, ln^6 jf :sf0n6/, clgl lg/f]ws pkfo tyf ; /lffsf]plrt Joj :yf xg' kg].

\$= ejg lgdf@f ubf{>l % sf] ; /sf/sf] ; DalGwt lgsfo, gu/ lj sf; ; ldl  
tyf ; DalGwt gu/ kflnsfâf/f tfl]sPsf]lgdf@f ; DaGwl dfkb08 cg' f/ ug{  
kgI.

%= sDkn\$; ejgdf yk 5\$}cfs!ds l; 9lsf]Joj :yf xg' kgI.

^= Stand by Generator sf]Joj :yf xg' kgI.

**!)=-!%=@ cfjfl; o ejg tkf**

!= cfj fl; o ejgsf]nflu cfj Zos efl]ts kj f(vf/x?sf]kofl(t ; lj wf k%ofpg]  
u/L tof/ ul/Psf]lj j /of ; lxt cfj dg lbg' kgI.

@= Gøtd @ /f]kgL hluf xg' kgI.

#= ejgsf]lgdf@f ubf{ejgsf]agfj 6 cg' f/ cfj Zos kfgl, lj hhl, 9n jf  
; ]6l 60fI, ln^6 jf :sf0n0/, clgl lg/f]ws pkfo, 6]nkf0 tyf ; /lffsf]  
plrt Joj :yf xg' kgI.

\$= ejg lgdf@f ubf{>l % sf] ; /sf/sf] ; DalGwt lgsfo, gu/ lj sf; ; ldl  
tyf ; DalGwt gu/ kflnsfâf/f tfl]sPsf]lgdf@f ; DaGwl dfkb08 cg' f/ ug{  
kgI.

%= Ps tNnf eGbf a9lsf]ejg lgdf@f xg]ePdf yk 5\$}cfs!ds l; 9lsf]  
Joj :yf xg' kgI.

^= ejgdf Stand by Generator sf]Joj :yf xg' kgI.

&= ejgdf sDtldf !) knN0f6 xg' kgI tyf x/\$ knN0f6df sDtldf %)) j=  
lkn6 lfqkmn xg' kgI.

\*= ejgsf] k]o\$ knN0f6df a\$?d, lnle^a ?d, lsr0-8f0lgE ?d tyf  
jfy?dsf]Joj :yf xg' kgI.

(= ejgsf]dVo k] zâf/ afx\$ x/\$ knN0f6sf]nflu 5\$}kj zâf/sf]Joj :yf xg'  
kgI.

**!)=-!^ lgdf@f Joj ; fo**

lgdf@f Joj ; fo pBf]u btf\$] nflu b/vf:t kg{ cfPdf ; DalGwt sfof(0n]  
k]ofof]ht clwsf/ leq /xl P0sf]klj wfg cg?k btf{ug{; Sg] 5 / o:tf pBf]usf]  
7\$0f/L ; DaGwl ju{560fpg]/ Ohfht lbg] sfo{eg] 7\$0f/ ; DaGwl lgodfj nl,  
)#! cg' f/ lgdf@f tyf oftfoft dGqfno jf ; f] dGqfnoâf/f tfl]sPsf]  
kbflwsf/laf6 dfq ug{ ; Sg] 5 . o; /L btf\$] nflu b/vf:t kg{ cfPdf Ohfht  
; Dj lGw kq x]L ; f]xl cg' f/ btf{ug{kgI5 .

o; /l btf{ubf{kflj lws Pj d\blf hgziQmsf]pknAwtfnf0{; d] pNny ug{nufpg' kg5 . To; }u/l btf{ePsf pBfyn]kFl Pj +lfdtf a[4 dfu u/df sfoCgej sf] kdfloft sfuhft lnP/ 7\$bf/ ; DaGwl lgodfj nl, @)#! ; d]sf]cfwf/df kFl Pj + lfdtf a[4 ul/ lbg ; lsg5 .

**!)=#!& 5fkfvfgf pBfyn**

5fkfvfgf pBfyn btf{ug{rfxg]JolQm]; 'rgf tyf ; ~rf/ dGqfno jf ; DalGwt lhNnf kzf; g sfoffnosf]; xdtl lnP/ dfq ; #fng ug[kg]zt{tf\$; xdtl kqdf pNnyvt zt? ; d] clgj fo{?kdf kfngf ug[kg]ul/ btf{ug[kg5 .

**!)=#!\* rnlrq tyf ; ~rf/**

rnlrq tyf ; ~rf/; # ; DalGwt pBfyn? -; jh/ 6lnkrf, df]f0n 6lnkrf, k]hE 6lnkrf ; jf\_ / 6lnlehg kzf/of ; jf -:of6nf06 6lnlehg kzf/of jf sah 6lnlehg kzf/of\_ tyf rnlrq Joj; fo ; ~rfng ug[ls; dsf pBfyn? btf{u/l kdf0fkq hf/l ug{cl3 ; 'rgf tyf ; ~rf/ dGqfnosf]; xdt lng'kg5 . pBfyn btf{ ubf{; xdtl kqdf pNnyvt zt? clgj fo{?kdf kfngf ug[kg]zt{; d] pNny ug[kg5 .

b]6Jom-

s\_ k] f/of ; Dj Gwlm pBfyn btf{/fli6 kzf/of Pj @)\$ ( / /fli6 kzf/of lgodfj nl @)%@ adf]hd ; 'rgf tyf ; #f/ dGqfnoaf6 0hfht÷cgdlit kq lnP/ dfq kzf/of ; Dj Gwl sfo{ug[kg].

v\_ /l8of]oGq ; Dj Gwl pBfyn btf{ubf{/l8of]Pj @)!\$ / /l8of]; #f/ -nf0{Q; \_ lgodfj nl @)\$ ( adf]hd ; 'rgf tyf ; #f/ dGqfnoaf6 nf0{Q; lnP/ dfq /l8of]oGq /Vg agfpg jf kofyn ug[sfo{ug[kg].

u\_ rnlrq ljsf; ; Dj Gwl pBfyn btf{ubf{rnlrq -lgdf, k]zq tyf lj t/of \_Pj @)^ / ; f]sf]lgodfj nl @)%& adf]hd ; 'rgf tyf ; #f/ dGqfno jf rnlrq ljsf; af]f6 :jls[t lnP/ dfq rnlrq lgdf k]zq tyf lj t/of ug[kg] zt{/Vg'kg].

**!)=#!( c:ktfn tyf gl; ' xfd**

c:ktfn tyf gl; ' xfd :yfkf ug{rfxg]btf{sf]nflu lgj dg lbbf :jf:Yo ; jf ljefusf]; xdtl clgj fo{?kdf k] ug[kg]5 . pBfyn btf{ubf{; xdtl kqdf pNny ePsf zt? clgj fo{?kdf kfngf ug[kg]zt{; d] pNny ug[kg5 . o:tf gl; ' xfd tyf c:ktfn btf{sf]nflu k]h\$6 k]h, :sld tyf c6o lj :t] lj j/of lnP/ dfq btf{; DaGwl cull d sf/jxl ug[kg5 .

c:ktfn tyf gl; ' xfd c6tu; #fng ul/g] X-Ray ; jf ; #fng ug{c6o zt?sf cltl/Qm b]fo adf]hd zt? ; d] kfngf ug[kg5 .

!= X-Ray ; #fng ; Da6wl glit tof/ eP kl5 ; f]cg?k ug{kgI

@= X-Ray d]zgx? pkoQm klj lwaf6 k/lif0f -r\$ \_ u/f0{:t/lo d]zgx? Nofpg' kg\$ .

#= X-Ray d]zgx ; #fng ug{blf klj lwsnf0{dfq ; #lg ug{nufpg' kg\$ .

!)=%@) xj f0{; Jf

xj f0{; Jf ; Da6wl pBfU btff\$]nflu lgj dg ; fy cfj Zos ljj /0fx? In0 lj efudf k\$ ug{kg\$ .

!)=%@! ; fj h]gs kl/j xg Joj ; fo

oftfoft ; Jf ; # ; Dj l6wt ; fj h]gs kl/j xg Joj ; fosf] ?kdf pBfU btff{ ubf{ oftfoft Joj :yf ljefu jf ; f] c6tu{sf] sfoffnosf] ; xdtl In0{ tfl]sPsf zt\$? ; d] pNn] ul/ btff{ug{kg\$ . sf7df08f]pkTosfdf o:tf oftfoft ; # ; Dj l6wt pBfU]sf] Uof/h tyf js\$ k gu/kflnsf lfq jflx/ /xg' kgI zt{ ; d] tf\$g' kg\$ .

!)=%@@ lzl0f Pj -klzl0f tyf k/fdz{; Jf

o:tf ; Jf pBfUx? lgDg cfwf/df btff{ ug{ ; lsg] 5 . t/ o; k\$ /sf ; Jf pBfUx?df dxflj Bfno, lj Bfno h:tf]cf]krfl/s lzl0f ; #yfx? kgI5gg\

!= pBfUl :jod\of]o ePdf lghsf]of]otfsf]kdf0fkq k\$ xg' kgI. pBfUln]c6o sf]l of]o JolQmf0{s/f/ jf c6o sg}tl/sfaf6 lgoQm ug{ rfxdf lghsf] of]otfsf]kdf0fkqsf ; fy}g]kfnl gful/tfsf]kdf0f kq ; d] k\$ xg' kg\$ .

@= of]otfsf]kdf0fkqsf] cj lw af/] o:tf ; Jf pBfUx?sf] p2]o Pj +sfo{k\$[t km/s km/s xg]x\$ ; f]af/]sfoffoaf6 g]pkoQmtf x\ / :jls[t lbg ; Sg\$ .

#= o:tf pBfUx?n]cf]krfl/s lzlff jf z]fs pkflw k\$fg ug{kfp]5gg\

\$= ; Jf pBfU]sf]?kdf klzl0f ; #yf btff{ug{cl3 klzl0f lbg] ; #yfj f6 klzl0fsf] lj :t\$ sfoQmd k\$ ug{nufpg]/ pBfU btff{kdf0fkqdf k]o\$ ## dlxgdf klzl0f k]k]t JolQm?sf]gdfjnl ; Dj l6wt 3/h' tyf ; fg pBfU sfoffo . ; ldtsf]sfoffodf clgjfo{?kdf k7fpg' kgIc6oyf lgodfg; f/ sf/jfxl ug{ ; lsg]5 }e6gz t{/fvl btff{ugI.

-ldlt @)%&.\$@ \$ sf]lj efulo kl/kq .

**!)=%@# ;/Iff uf8{cfklt{ug}; ]f pBfũ**

j\$ tyf ljlQo ; 3 ; :yf, pBfũ, xf6n, sfofño ejg, s6gllts lgofũ tyf  
cfj fl; o ejgdf ; /Iff k%ofpg]p27o /x\$]Jo; fo ; ]f pBfũsf]?kdf btf{ubf{  
; Da6wlt flqo kzf; g sfofñosf]; xdtl ln0{bxfosf zt{x? tfls btf{ug{; lsg].

-ldlt )%&.@.( sf]lj efulo kl/kq\_ .

zt{x?

!= kx/L kwfpg sfofño, dftxtsf sfofñox?j f6 o:tf ; /Iff pBfũx?df eP u/\$f  
ultljwx?sf] sDtdf ^ dlxgdf ! k6s cfjZostf cg; f/ hlxn]; 5}klg  
dlg6l/8) ug{kfpg].

@= tfnld tyf ; /Iff sld{x?sf]; vofsf]; Dj Gwdf kx/L kwfpg sfofño jf pQm  
sfofño]t\$]sf dftxtsf kbflwsf/lx? ; # ; dgj o sfod /fv'kg].

#= ; /Iff pBfũx?n] klg cfkm] ug{ nfu\$] sfd sf/j fxlx?sf] kx/L kwfpg  
sfofño]f0{l/kf]68) ug]Jo; :yf ldnfpg' kg].

\$= v/ vhfgsf]kpfũ ug{dfu xg]qmdf >l % sf]; /sf/sf]kflnt P6 lgod  
cg; f/ JolQm?n]kP ; /xsf]; lj wf k6fg ug{kf]. k6fg ul/Psf v/  
vhfgx?sf]kpfũ tflsPsf]sfofñ dfq kpfũ ug{kf]. ; f] eP gePsf]j f/  
btf{ePsf]; /Iff sDkglN]kx/L kwfpg sfofño jf pQm sfofño dftxt t\$]sf]  
sfofñox?df kljt6g k7 ug{kf]/ b?kofũ ePsf]b]vPdf kflnt P6 lgod  
cg; f/ sf/j fxl xg].

%= ; /Iff uf8{x? v6f06f nflg]b/ /6 / s/x?sf]; Dj Gwdf kflnt lgodfg; f/ xg'  
kg].

^= >d P6 @)\$\* kltsH gxg]u/l Jo; fo ; #fng ug{kf].

&= o:t}pBfũ Jo; fonf0{tflsg]c6o zt{x? kfng ug{kf].

**!)=%@\$ un]f pBfũ**

cf]k]f\$] !^\* cf}j}saf6 lgofo eP adflnd tyf >l % sf]; /sf/ -  
dfgglo ; xfos d6ql:t/\_ sf] @)^).@.\* sf] lgofo cg; f/ un]f pBfũ btf{  
ubf{!)=%@^ df tflsPsf zt\$]f cltl/Qm lgdg lnlt yk zt{t\$]g' kg].

!= un]f ptkfbg ubf{ dlzgj f6 ptkfbg ePsf] pgl wfuf] kpfũ ug{ kf0g]  
56 .

**!)= @\$.! d\zgaf6 pgl wfuf]sf6g]pBf\usf]cgludg ;lt**

d\zgaf6 pgl wfuf]sf6g]pBf\usf]lgoldt lg/Llf0f / cgludg ug{tkl; n  
adflhd ;ldlt u7g ePsf]5 .

- != sfo\$fl lgbZs, un)ff tyf pg lj sf; ;ldlt ; ofhs
- @= kl|tlglw, 3/h' tyf ; fgf pBf\ lj efu ; b:0
- #= kl|tlglw, j fl0fHo lj efu, ; b:0
- \$= kl|tlglw, u0f:t/ tyf gkttfn lj efu ; b:0
- %= kl|tlglw, s\bl|t un)ff pBf\ ; 3 ; b:0
- ^= kl|tlglw, s\bl|o pgl wfuf]pBf\ ; 3 ; b:0

**!)= @% = ; xsf/L ; :yf, Pg=h-cf] cf0=Pg=h-cf] cflb ; :yf pBf\usf] ?kdf btf{gugI.**

; xsf/L ; :yf, Pg=h-cf] cf0=Pg=h-cf]cflb ; :yfx? Psk6s ; Dal6wt P0 lgod  
cg'; f/ btf{e0{; s\$fd pBf\usf] ?kdf kgM btf{ug{cf] dg k/df btf{gugIul/  
lj efulo lg0f0 ePsf] / o; af/] ; xsf/L lj efu ; d]af6 btf{gul/ lbg kqfrf/  
ePsf].

**!)= @^ pBf\ btf{ubf{tf]g'kgIzt?**

k|Int P0 cg'; f/ pBf\ btf{ubf{pBf\usf]lsl; d / k\$lt cg'; f/ 56[ 56I  
yk zt\$] ?kdf tf]sg] zt\$?sf cltl/Qm hg ; s)pBf\ btf{ubf{lgDg lnlv  
zt\$? ; d] btf{k0f0f kqdf tf]g'kgI .

- != pBf\ ; fng ubf{xfn sfod /x\$]/ kl5 nfu'xg]gllt lgod ; j)kngf ug{kgI.
- @= jftfj /0f k|lf0f xg glbg pkoQm Joj :yf ug{kgI.
- #= 5/ l5d\$nf0{jfw gk%of0{pBf\ ; fng ug{kgI.
- \$= pkefQmf ; Af0f P0 lgod lj kl/t ug{gkf0g].
- %= pBf\ ; fng ubf{pBf\ leq e}/x\$ sf sf/jfxlnf0{dh ; 8sjf6 gblvg]  
Joj :yf ug{kgI .
- ^= pBf\ ; fng ubf{lgZsf; g xg v] hfg]kbfyhf0{pkoQm tl/sfn]lg/fs/0f  
ug{kgI .
- &= pBf\usf] gfd hlg uPdf kl5 btf{ ugI pBf\un] cfkngf] gfd ; zfvug ug{kgI .

bi6Jo M IEE/EIA ug{kgl pBf]usf] cgdltl kbfq ubf{jf btf{ubf{ IEE/EIA  
 kl|tj dg :j|stf ubf{tf]sPsf zt{x; ; d] cgdltl -0hfht\_ kq / btf{kdf0f kqdf  
 hgfpq' kgf .

bi6Jo M zt{g=% pBf]usf]k\$[tsf]cfwf/df dfq tf\$g' kg]5 .

**!)^=^ pBf]usf]glj s/0f, gfd; f/l tyf 7fpFf/l**

Pg cg; f/ btf{ePsf pBf]ux? dWb] sDkgl Pg, @)%# cftu{ btf{ePsf pBf]u  
 afx\$ c6o pBf]u lgodfg; f/ k|o\$ cfly\$ jif\$] nflu glj s/0f u/fpg' kg] /  
 lgodfg; f/sf] k\$of k%of0{gfd; f/l tyf cg; 'l \* / ( sf] ljkl/t gxg] u/l  
 7fpFf/l ug{; lsg]5 .

**!)^=^! glj s/0f**

kf0e6 kmd{/lhi6zg Pg, @)!\$ / ; femf/l kmd{/lhi6zg Pg, @) cftu{ btf{  
 ePsf cfBf]us kmd{x? k|o\$ cfly\$ jif{; dft ePsf]ldlt]n]#% lbg leq kflsf]  
 cfwf/df bxf0 adf]hdsf]glj s/0f b:t/ aemf0{Ps cfly\$ jif\$] nflu glj s/0f ug{  
 ; lsg]5 . pQm Dofb leq glj s/0f gu/fPdf bxf0 adf]hdsf] hl/jfgf ; d] It/l  
 glj s/0f ug{; lsg]5 . o; /l glj s/0f ubf{; mlg cg; 'l @@ adf]hdsf] 9fFdf  
 jflif\$ kplt ljj/0f clgj fo{?kdf kz ug{kgf .

t/ sDkgl Pg, @)%# cftu{ btf{ePsf pBf]usf]kdf0fkq glj s/0f u/f0{/xg kg]  
 5g . To:tf pBf]un] cg; 'l @@ adf]hdsf] 9fFdf jflif\$ kplt ljj/0f el/  
 ; DalGwt sf0f0df clgj fo{?kdf k7fpg' kgf .

**kmd{glj s/0f b:t/**

sh kfl nufgl	kf0e6 kmd{	; femf/l kmd{
	glj s/0f b:t/ ?=	glj s/0f b:t/ ?=
? %),,)))- ; Dd	#%.-	#).-
? !),,)))- ; Dd	%).-	\$%.-
? #),,)))- ; Dd	&).-	^).-
? %,),,)))- ; Dd	!)).-	*%.-
?= %,),,)))- ecbf dfly	!^).-	!%).-

**!)^=!=! k|0e0 knd\$]glj s/0f tyf hl/jfgf**

k|0e0 knd{pQm Dofb leq klg glj s/0f gu/fPdf cflZj g d; f0t ; Dd k|0e0 knd{/lhi6zg lgodfj nl, @)#\$ sf]lgod & adf]hd ? #%.- hl/jfgf tyf bkrf !)^=!=! adf]hd kFlsf]cfwf/df glj s/0f b:t/ aemf0 glj s/0f ug{; lsg]5 . ; f]Dofb leq klg glj s/0f gu/fPdf glj s/0f ug{kgI k|00\$ j if\$] nflu ? !%).- hl/jfgf tyf bkrf !)^=!=! adf]hd kFlsf]cfwf/df nflu]glj s/0f b:t/ aemf0{glj s/0f ug{kg\$ .

**!)^=!=@ ; femf/l knd\$]glj s/0f tyf hl/jfgf**

; femf/l knd{/lhi6zg P0, @)@) sf]bkrf !! adf]hd k|00\$ cfly\$ j if{; dftt ePsf]ldltn]#% lbg leqdf glj s/0f gu/fPdf ; fxl P0sf]bkrf \$! sf]v08 -3\_ adf]hd k|00\$ ; femf/ j fkt k|00\$ glj s/0f ug{kgIcfly\$ j if\$] nflu ?= %).- hl/jfgf tyf bkrf !)^=!=! adf]hd kFlsf]cfwf/df nflu]glj s/0f b:t/ ; d] aemf0{glj s/0f u/fpg' kg\$ .

**!)^=!=# cgdlt sf]Dofb yk eP kl5 dfq glj s/0f ugI**

cgdlt lng kgI pBf] Dofb leq btf{; Dd ePsf]t/ ; #fng gePsf]pBf]sf] glj s/0f ubf{; #fng ug\$] nflu tfl]sPsf] cgdlt sf]Dofb ; dftt ePsf]eP Dofb yk u/fP kl5 dfq glj s/0f ug{kg\$ .

**!)^=!= \$ nfd]c]lw; Dd glj s/0f gu/fPsf pBf]**

nfd]; do; Dd pBf]sf]glj s/0f klg gu/fPsf]/ ; #fng klg gePsf]nuftf/ % j if{; Dd glj s/0f gu/fpg] pBf]sf] btf{vf/h ugI glt sfod}ul/Psfh] To:tf pBf]x? sf]knd{#% lbg leq dgfl; a sf/0f ; lxt glj s/0f ug{cfpg ; dfrf/ kqdf ; rgf k\$zfz g ugI/ ; f]Dofb leq glj s/0f ug{gcfPdf pBf]sf] ; Dk0f{ ljj/0f ; lxt btf{vf/h ugI lg0f0sf] nflu lj efudf nlv k7fpg] / lj efuaf6 lgbzg e}cfP cg; f/ sf0f]og ug{kg\$ .

t/ o; /l pBf]sf] btf{vf/h ; Dalwt sf/j fxl ubf{; f] pBf]sf] :j fldTj , xs axs af/]cbfntdf sf/j fxl e}x\$] a\$ tyf lj lQo ; yfsf] C0f Itg{af\$ /x\$] elg ; Dalwt lgsfoaf6 cg/fw e}cfPdf lgbzgsf] nflu /fo ; lxt lj efudf nlv k7fpg' kg\$ .

**!)^=@ gfd; f/l -:j fldTj kl/j t0**

btf{ePsf] pBf] ; flj s knd{jf JolQmsf] gfdaf6 csf]JolQm jf knd\$] gfd df gfd; f/l jf :j fldTj kl/j t0 ug{rfx0f lg0g lnlv sfuhft ; lxt b/vf:t lbg'

kg $\mathbb{F}$  . o; /l b/vf:t k $\mathbb{K}$ t ePdf ; DalGwt /fh:j sfoffnosf]k $\mathbb{L}$ ts $\mathbb{P}$ f ln0{; DalGwt sfoffhon]gfd; f/l ; DaGwdf ph/ k/]gk/\$f]x $\mathbb{L}$  ph/l gk/\$f]eP gfd; f/l b:t/ afkt ?= %- bflvnf ug{nuf0{pBf $\mathbb{U}$ sf]gfd; f/l jf :jfld $\mathbb{I}$ j k $\mathbb{L}$ /j t $\mathbb{G}$  ug{; Sg]5 . gfd; f/l ubf{; flj sjfnfn]ul/ lbPsf]5f $\mathbb{P}$ kqdf ; flj sjfnf :j o+; DalGwt sfoffnodf pkl:yt e}; gfv $\mathbb{T}$  ; d $\mathbb{I}$  ug{kg $\mathbb{F}$  .

!= gfd; f/l ul/ lng rfxg]JolQmsf]lgj  $\mathbb{P}$ g .

@= gfd; f/l ul/ lng rfxg]JolQmsf]gful/stfsf]k $\mathbb{P}$ fl0ft k $\mathbb{L}$ tl $\mathbb{N}$ ik .

#= ; flj sjfnfn]ul/ lbPsf]5f $\mathbb{P}$ kq .

\$= 5f $\mathbb{P}$  kqdf ; gfv $\mathbb{T}$  ug{ :jo+pkl:yt xg g; s $\mathbb{F}$ ] cj:yfdf clws $\mathbb{T}$  jf/ $\mathbb{Z}$ gdf  $\mathbb{C}$ 6o sg}; /sf/l sfoffnosf]/f $\mathbb{X}$ j/df ePsf]; gfv $\mathbb{T}$  .

%= ; DalGwt /fh:j sfoffnosf]; sf/fl $\mathbb{D}$ s k $\mathbb{L}$ ts $\mathbb{P}$ f .

^= cgdlt lng'kg $\mathbb{I}$ pBf $\mathbb{U}$ sf]xsdf cgdlt gfd; f/l ePsf]kq .

&= gfd; f/l b:t/ afkt ? %- /fh:j aemfPsf]/l; b .

### **!)^=# 7fpFf/l**

Ohfht lng' kg $\mathbb{I}$ jf ; lw}btf{ePsf pBf $\mathbb{U}$  Ps :yfgaf6 csf $\mathbb{I}$ :yfgdf /fVg]ul/ 7fpFf/l ug{dfu u/df b $\mathbb{X}$ fosf]k $\mathbb{S}$  $\mathbb{P}$ f k $\mathbb{F}$ / ul/ cg';  $\mathbb{F}$ l \* / ( adf $\mathbb{H}$ nd pBf $\mathbb{U}$  :yfk $\mathbb{G}$ f ug{kf0g]:yfgdf dfq /fVg]u/l pBf $\mathbb{U}$  7fpFf/l ug $\mathbb{I}$ :jls $\mathbb{I}$ t k $\mathbb{P}$ fg ug{; lsg] 5 .

### **!)^=#! cgdlit lng'kg $\mathbb{I}$ pBf $\mathbb{U}$**

cgdlit lng kg $\mathbb{I}$ pBf $\mathbb{U}$ sf]7fpFf/l ug{cl3 cgdlt $\mathbb{D}$ f pBf $\mathbb{U}$ sf]7fpFf/l ug $\mathbb{I}$  :jls $\mathbb{I}$ t lng'kg $\mathbb{I}$ / To; kl5 dfq pBf $\mathbb{U}$ sf]7fpFf/l ug{kg $\mathbb{F}$  .

### **!)^=#@ IEE jf EIA ug{kg $\mathbb{I}$ pBf $\mathbb{U}$**

o; lgb $\mathbb{Z}$ sfsf]cg';  $\mathbb{F}$ l ! / @ df p $\mathbb{N}$ n $\mathbb{I}$ vt pBf $\mathbb{U}$ sf]xsdf ljefuaf6 :yn k $\mathbb{L}$ /j t $\mathbb{G}$  ug $\mathbb{I}$ cgdlit kfP kl5 dfq 7fpFf/l ug{kg $\mathbb{F}$  .

### **!)^=## Pp6}lhNnf leq 7fpFf/l**

Pp6}lhNnf leq Ps :yfgaf6 csf $\mathbb{I}$ :yfgdf pBf $\mathbb{U}$ sf]7fp; f/l ug $\mathbb{I}$ :jls $\mathbb{I}$ t dfu ePdf l; 3}btf{xg]pBf $\mathbb{U}$ sf]xsdf t $\mathbb{I}$ sPsf]k $\mathbb{S}$  $\mathbb{P}$ f k $\mathbb{F}$ of0{; DalGwt sfoffhon]g} 7f $\mathbb{P}$ ; f/l ug $\mathbb{I}$ :j s $\mathbb{I}$ t k $\mathbb{P}$ fg ug{; Sg]5 .

### **!)^=#\$ Ps lhNnfaf6 csf $\mathbb{I}$ lhNnfd $\mathbb{I}$ 7fpFf/l**

cgdlit lng gkg $\mathbb{I}$ tyf o; lb $\mathbb{U}$ b $\mathbb{Z}$ g cg';  $\mathbb{F}$ l ! / @ df p $\mathbb{N}$ n $\mathbb{I}$ vt pBf $\mathbb{U}$ sf]j u $\mathbb{D}$ f gkg $\mathbb{I}$ pBf $\mathbb{U}$  Ps lhNnfaf6 csf $\mathbb{I}$ lhNnfd $\mathbb{I}$  7fpFf/l ug{kg $\mathbb{I}$ ePdf l; kn $\mathbb{I}$ /; ; lxt ljefudf k7fpg'kg $\mathbb{F}$  .

**!)^#% sf7df8f)pkIosf leqsf Ps lhNnaf6 csf{lhNndf 7fpFf/L**

cgdlit Ing' jftfj /Of kl|tj dg IEE / jftfj /Oflo dNof#g (EIA) ug{kgI pBfUsf] 7f#; f/L ; Dj lGwt lhNnfsf] l; kmf/; df ljeuaf6 ug{ kg5 / 7f#; f/L ubf{ cg' rL \* / ( sf]lj kl/t gxg]u/L ug{kg5 .

**!)-& pBfUsf]kFl Pj -lfdtf a[4 tyf p27o yk jf kl/j t6**

cgdlit Ing' kgI jf gkgI btf{ePsf] pBfUsf]kFl tyf lfdtf a[4 Pj +p27o yk jf kl/j t6 ug{kgI e}dgf; j sf/Of ; lxt lgj dg lbPdf cg' rL \* ljkl/t gxg]ul/ b}fo adf]hdsf]sfuhftx? kZ ug{nuf0{cfj Zos k\$pf k%of0{:jls[t k}fg ug{ ; lsg]5 .

!= cgdlit Ing' kgI pBfUsf] xsdf b/vf:t æsÆ kmf/fd, ; æflwt l:sd, p27o kl/j t6 ubf{kl/j t6 xg]p27osf]nflu IEE/EIA ug{kgI ePdf ; f\$]kl|tj dg .

@= ; lw}btf{dfq xg]pBfUsf]xsdf pBfU btf{ævÆ kmf/fd .

#= kFl a[4, lfdtf a[4 jf p27o yk ug{kgf\$]sf/Of ; lxtsf]lgj dg .

\$= lgj dg b:t/ jfkt ? %- æmfPsf]/l; b .

**!)-&! kFl tyf lfdtf a[4**

sg}klg pBfUsf]kFl tyf lfdtf a[4 ug{kgI pkoQm b}vPdf b}fo adf]hd kFl tyf lfdtf a[4 ug{ ; lsg]5 .

**!)-&! cgdlit Ing' kgI/ IEE/EIA ug{kgI pBfU**

Ohfht Ing' kgI jf bkrf \*=! adf]hd IEE/EIA ug{kgI pBfU ePdf pBfUsf] kFl tyf lfdtf a[4 ug{sfofnonf0{clwsf/ k}ofofhg ePsfdf sfofnon}g}/ sfofnonf0{clwsf/ k}ofofhg gePsf pBfUsf]xsdf cfj Zos k\$pf k/f ul/ ; jls[tsf]nflu ljeudf n}v k7fpg' kg5 .

cf}lo= Pj @)\$ ( df Ohfht Ing' kgI ju(df btf{e}; s\$ pBfUx?sf]:jls[t lfdtfd j [4 ug{:jls[tsf]nflu cfj dg lbPdf :jls[t jflif\$ pTkfbg lfdtfsf] ()Ü pTkfbg ePdf :yl/ k}lsf]cfwf/df ; Dj Gwt ljeufj6 g} lfdtf j [4sf] :jls[t k}fg ug{gllt nfu'ugI.

-cf}k}j f\$(!%) cf}j }ssf]lgof6 .

**!)-&!@ cgdlit Ing' gkgI pBfU**

cgdlit Ing' gkgI/ IEE ug{gkgI pBfUsf]kFl tyf lfdtf a[4 ug{kgI ePdf k}ofofht kFl l; df c}tu{ kgI eP ; DalGwt sfofnon]/ k}ofofht kFl

l; df cġtuġ gkgIeP cfj Zos sfuhft ; lxt lj efudf k7f0{ljeuaf6 lgbġg  
eP cg' f/ sfofġ og ug{kġġ .

**!)-&-@ pBfġsf]p2ġo yk jf kl/j tġ**

btf{dfq ePsf]pBfġsf]p2ġo yk jf kl/j tġ ug{k/ġf bġfo adfġhdsf]kġġf  
kġof0{:jls[t kġfg ug{: lsg]5 . t/ p2ġo kl/j tġ ubf{pBfġsf]gfd / p2ġo; ġ  
dġh gvfg]ul/ p2ġo kl/j tġ ug{ldNg]5ġ M

**!)-&-@! cġdlt lng kgI/ IEE/EIA ug{kġI pBfġ**

cġdlt lng' kgI/ bkrf \*=:! df pNnġvt pBfġsf]j uġf kgIeP bkrf !)-& df  
pNnġy eP cg' f/sf sfuhftx? ; mġg ul/ ljefudf nġv k7fpg' kgI /  
ljeuaf6 cġdlt kfPkI5 dfq p2ġo yk jf kl/j tġ ug{: lsg]5 .

**!)-&-@@ cġdlt lng gkgI/ IEE/EIA ug{kġgI pBfġ**

IEE jf EIA ug{kġgI cġdlt lng gkgI pBfġsf]p2ġo yk jf kl/j tġ  
ug{kġfġf] sf/0f tyf cfġrTotf xġ/ kġofofġht kġl l; df cġtuġ kgI eP  
; Dalġwt sfofġon]/ kġofofġht kġl l; df cġtuġ gkgIeP ljeufsf]btf{/  
0ġfhhtzfvdf k7f0{ljeuaf6 ePsf] lgbġfg; f/ p2ġo yk jf kl/j tġ ug{kġġ .

# pBf]n]k]kt ug[; lj wf tyf ; f]sf]k\$of

## !!= ; lj wf tyf ; xlnot

3/h' tyf ; fgf pBf]n]k]kpg]; lj wf tyf ; xlnotx? t]sf]n k]r]nt cfBf]us Joj ; fo Pq, @)#\* tyf cfBf]us Joj ; fo Pq -klxn] ; z]f]wg\_ @)%\$ c]w]ob]z, @)%\$ / tt\tt\ Pq c]gtu] ; do ; dodf eP u/]sf ; z]f]wg tyf g]k]fn /fhkqdf k]\$]lzt ; r]gf? , af\$ { tyf Ps]f/ ; ldltaf6 eP u/]sf l]g]of6 tyf Joj :yf?sf cfwf/df t]sf]ng ; lj wf tyf ; xlnot pknAw u/]fpg ; lsg] k]l]j wfg ePsf]h] pBf]n]k]kpg]; lj wf tyf ; xlnot c]gtu] kg]cfos/ 5b ; lj wf k'}c]j]lwsf]j]f c]f]z]s ?kdf pknAw u/]fpg]; Da]wdf b]x]fo adf]h]ndsf]cfwf/df dfq Pq]sf]b]k]nf !& adf]h]nd ul7t Ps]f/ ; ldl]t / ; f] ; ldl]tn] clwsf/ k]o]fof]hg eP cg' f/ pk- ; ldl]tn] ; f] cfos/ 5b lbg] j]f glbg] l]g]of6 ug] Joj :yf u/]sf]5 .

## !!=cfBf]us Joj ; fo Pq, @)#\* c]gtu]sf]Jo] :yf

k]r]nt sfg]gdf hg; s} s'f n]v]Psf] eP t]k]lg cfBf]us Joj ; fo Pq, @)#\* c]gtu] :yfkgf ePsf pBf]n]f0{b]x]fo adf]h]nd cfos/ ; lj wf k]b]fg ug]Jo] :yf ; f] Pq]sf]b]k]nf !) sf]v08 -s\_ df u/]sf]/ ldl]t )#\*.^.!\$ df ; f]Pq nfu' ePsf]h]Pq nfu' ePsf]pQm ldl]tkl5 :yflkt pBf]x?nf0{b]x]fo adf]h]ndsf]cfos/ ; lj wf k]b]fg u/]sf]5 .

## !!=! dh Pq]df ePsf]Jo] :yf

ldl]t )#\*.^.!\$ df nfu' ePsf]cfBf]us Joj ; fo Pq, @)#\* -dh Pq\_ sf]b]k]nf !) - s\_ df cfos/ ; lj wf ; Da]wdf b]x]fo adf]h]ndsf]Jo] :yf u/]sf]5 .

!= p]k]f]bgdhs 3/h' pBf]n]f0{ ; ~rfng ldl]tb]v ^ j if\$] nflu ztk]tzt cfos/ 5b lb0g]5 .

t/, -!\_ >l % sf] ; /sf/n] g]k]fn /fhkqdf ; r]gf k]\$]lzt u/l cfos/ 5b g]k]fpg]elg t]f]f]3/h' pBf]n]cfos/ ; lj wf k]fpg]5g .

-@\_ pkv08 ! adf]h]nd ; lj wf k]Psf] pBf]n] To:tf] ; lj wf k]f{c]j]lwe/ k]fpg]5 .

@= p]k]f]bgdhs ; fgf, dem]h]f tyf 7hf pBf]n]f0{ ; ~rfng ldl]tb]v b]x]fosf] c]j]lwsf] nflu b]x]fo adf]h]nd ztk]tzt cfos/ 5b lb0g]5 #

-s\_ al; b]v k]rf; k]tzt; Dd dNo clea[4 ug]pBf]n]f0{k]f] j if{.

-v\_ k]rf; k]tztte]bf a9l dNo clea[4 ug]pBf]n]f0{k]o]\$ bz k]tzt Psf0 dNo clea[4sf l]gldQ yk Ps j if{.

#= cfjZos pkef]o j :t' pTkfbg ug[-rfdn, bfn, kl7f] t]h, lrgl, vfB; f/L, bW, fo;" bUw kbfy{ kfp/fL, lj :s6, lrof, sk8f, hQf, rKkn, ; fab, ; nf0{ sfuh, snd, ; l; fsnd, d; L, :6zg/L ; fdfg tyf cf]fwl pTkfbg ug[/ skf; lhlgE / skf; l:klgE pBf]\_ pBf]nf0{ pkv08 != / @= df pNn]vt 56 cj]wsf] c]tl/Qm yk b0{j if\$ nflu cfos/ 56 lb0g\$ .

\$= phf]hs / vlgh p]vvg\tyf kzf]wg pBf]nf0{ ; #fng ldtb]v ^ j if\$ nflu ztk]tzt cfos/ 56 lb0g\$ .

t/ kRrl; k]tztetgf a9l dNo clea[4 ug]To:tf pBf]nf0{yk ^ j if\$ nflu ztk]tzt cfos/ 56 lb0g\$ .

%= ko6g pBf]nf0{ ; #fng ldtb]v b]fosf] cj]wsf nflu b]fo adf]hd ztk]tzt cfos/ 56 lb0g\$ #

-s\_ ko6g lf]df :yfkf xg]nf0{; ft j if{.

-v\_ c6o lf]df :yfkf xg]nf0{kfF j if{.

^= cw{:j rflnt jf :j rflnt d]zlgx? -h:t}M ny, z]kE, l; ln^a cflb\_ kof]u u/L kf6{k]hf{ cf]hf/, tof/L ; fdfg agfpg]o6qzfnf, zlt uf]fd, 6kna; tyf >l % sf] ; /sf/n]tf\$] :t/sf]7hf]uf]fd3/, c:ktfn, PS; /]Jo; ; fo, ef8fdf lbg] 7hf] cf]f; u]k, 5fkfvfgf, hndfu{ kl/jxgnf0{ ; #fng ldtb]v tlg j if{ ztk]tzt cfos/ 56 lb0g\$ . ; f]afx\$ c6o ; }f pBf]nf0{cfos/ 56 lb0g] 5g .

&= lgoff k]46 lf]df ; #flnt xg] pBf]nf0{ ; #flnt ldtb]v bz j if\$ nflu ztk]tzt / To; k]5 kfF j if\$ nflu krf; k]tzt cfos/ 56 lb0g\$ .

\*= s]f]df cf]wfl/t lj z]f pBf]nf0{ ; #fng ldtb]v bz j if\$ nflu ztk]tzt cfos/ 56 lb0g\$ .

(= clj sl; t lf]df ; #fng xg] pBf]nf0{To:t}pBf]n]c6o lf]df kf0g]cfos/ ; lj]wsf]c]tl/Qm yk tlj j if\$ nflu ztk]tzt cfos/ 56 lb0g\$ .

!)= sg}pBf]n]hl8t lf]dtfnf0{krf; k]tztetgf a9l a[4 xg]u/L lj :tf/ u/]f yk gof]l:y/ h]yf nfutsf] h]df k6w| k]tzt /sd To:tf] pBf]n]ltg]kg] cfos/ /sdaf6 ; ft j if{eq Psdl6 jf k6s k6s u/L s]l ug{kfp]g\$ .

!!= sg}pBf]n]cf^gf] j flif\$ pTkfbgsf]kRrl; k]tztetgf a9l kl/df0f lgsf; l u/]f ; j] j if\$] cfos/ nflu] /sddf k6w| k]tzt /sd 56 lb0g\$ / krf; k]tztetgf a9l lgsf; l u/]f kRrl; k]tzt cfos/ /sd 56 lb0g\$ .

!@= g]kfnl sfdbf/x?nf0{/f]huf/L ; he u/fpg]tyf ; lk clea[4 ug]p2]on]>l % sf] ; /sf/ >d lj efuaf6 df]otf lb0Psf]kl]zlf0f jfkt vr{ePsf]/sdnf0{ pBf]wsf]j flif\$ vr]df ; dfj z ug\$] ; fy}ltg{k]g]cfos/af6 ; d] s]l ug{kfp]g\$ .

t/ To; /L s\$ ubf{pBf]usf]j flif\$ sh lj qml cfosf]Ps kl|tztecbf a9l s\$  
ug{kfpg]5g .

**!!!=@ ldl t )#\*.\*.@( sf]Jo]y:f**

>l % sf] ; /sf/n]cfBf]us Jo] ; fo Pq, @)#\* sf] bkmf !) sf] v08 -s\_ sf]  
pkv08 -!\_!\_ sf]kpf]hgsf]nflu bxfosf j :tx? pTkbfg ug[/ ; ]f kbf]g ug[3/h'  
tyf ufdl0f pBf]ux?nf0{cfos/ 5b glbg]ul/ gkfn /fhkq efu #, v08 #! ; Wof  
#& ldl t )#\*.\*.@( df ; Rgf k\$flzt ul/ tf\$]5 .

!= cfwlgs -; h/\_ afx\$sf]rfdn, th, bfn, ddf ldn .

@= lr/fgl sf7 -; Mldn\_ .

#= r/fq, l; uf/, lj 8l / ; 'lqf6 ag\$]f c6o ; fdfgx? .

\$= ; a}k\$]f/sf dlb/fx? / clj sl; t lqdf :yfkf] xg]kmlktaf6, lj o/, 50fa / -  
; f\$] j f6/, lh6h/ Pn, 6lgs j f6/ tyf ldg/n j f6/ afx\$ \_ sf] f6]0H8 xNsf  
kqx? .

%= sTyf / 6lgg .

^= km]g{/ .

&= lhk kmf:g/ .

\*= :6gnz l:6nsf ef8f j tq / c6o ; fdfg .

(= d]zlg kpf] ul/ whf0{ug].

!)= a/km / cf0:qmd .

!!= km]f]slk ukml .

**!!!=# ldl t )#\*.\*!)\$ sf]Jo]y:f**

>l % sf] ; /sf/n]cfBf]us Jo] ; fo Pq, @)#\* sf] bkmf @ sf] v08 -7\_ n]lbPsf]  
clwsf/ kpf] ul/ bxfosf lhNnfx?nf0{clj sl; t lq tf\$]Psf]elg )#\*.\*!)\$ sf]  
gkfn /fhkq efu # df ; Rgf k\$flzt u/\$]5 .

!= tfkn]h<sup>a</sup>

\$= txyd

&= ; w]j f; ef

!)= pbok/

!#= /fd\$fk

!^= l; Gwkfnrf\$

!(= wflb<sup>a</sup>

@= kfFy/

%= wgsdf

\*= ; fhvDa'

!!= cf]yn9uf

!\$= l; Gwhl

!&= /; j f

@)= uf]vf

#= Onfd

^= ef]hk/

(= vfqf<sup>a</sup>

!@= bf]hvf

!%= sfek]nf-rf\$

!\*= gj fsf6

!@= tgx'

@@= ndh <sup>a</sup>	@#= dgf <sup>a</sup>	@\$= kj t
@%= d':tf <sup>a</sup>	@^= :of <sup>a</sup> hf	@&= c3f\vfFL
@*= uNdl	@(= j fln <sup>a</sup>	#)= DofUbl
#!= 8f\kf	#@= ?sd	##= /f\kf
#\$= ko7fg	#%= ; Nofg	#^= hfh/sf
#&= hDnf	#*= du'	#(= xDnf
\$)= sfnlssf	\$!= b\y	\$@= ; v
\$#= j lb	\$\$= c5fd	\$%= afh/f
\$^= aemf <sup>a</sup>	\$&= 8f	\$*= bfr\hf
\$ (= a}8l	%)= 88hw/f	%!= bf <sup>a</sup>
%@= dsj fgk/ -gu/	%#= sf:sl -gu/	%%= ; nfxl -ldlt )\$#.#@ sf]gkfn
kflnsf lf	kflnsf lf	/fhkqdf
afx\$	afx\$	k\$flzt ; Rgfaf6 yk ul/Psf]

**!!=!\$ cBflus Joj ; fo P, @)#\* df klxnf] ; zfwg @\$&!\$ sf]/fhkqn] u/\$f]Joj:yf**

cBflus Joj ; fo P, @)#\* df ePsf]klxnf] ; zfwg, @\$&!\$ n]cf} Jo= Pgsf] bkrf !) df ; zfwg u/L bxf0 adf]hdsf]Joj :yf u/\$f]5 .

!= o; }lbbzgsgf]bkrf !!=!, sf]aBf @ dh P, cg' f/ bkrf !) sf]v08 -s\_ sf] pkv08 @ kl5 bxf0sf]pkv08 @sA yk u/\$f]

@s\_ pkv08 != / @= df hg; s}s'f n]vPsf]eP tfklg sg}pBflusf]:t/ kl/j t ePdf :t/ kl/j t ePsf]ldltb]v To; /L kl/j t ePsf]pBflun] gofF:t/sf]pBfludf /xdf kfg] ; ljwdf ; fljssf]:t/df /xBf kf0/x\$] ; ljwf s\$ u/L afL ; ljwf kfq kfg\$ .A

@= o; }lbbzgsgf] bkrf !!=! sf] aBf # dh Pgsf] bkrf !) sf]v08 -s\_ sf] pkv08 -#\_ df /x\$] acfj Zos pkef]o j:t' pTkfbg ug[ pBflunf0A eg] zAbx?sf] ; \$ a>L % sf] ; /sf/n]gkfn /fhkqdf ; Rgf k\$flzt ul/ tf\$] ; jbzL sRrf kbfd cfwl/t pBflunf0A eg] zAbx? /flv lbbzgsgf] bkrf !!=! df ; zfwg u/\$f] t/ ; f]ldlt kZrft xfn; Dd To:tf] ; Rgf k\$flzt gePsf]h]pQmldlt )\$&!\$ kZrft :yfkf xg]pBflun]yk b0{jif\$]cfos/ 5b gkfg]Joj :yf u/\$f]5 .

#= dh Pgsf]bkrf !) sf]v08 -s\_ sf]pkv08 -( kl5 - lbbzgsgf]bkrf !!=! sf]aBf ( df bxf0 adf]hdsf]pkv08 -(s\_ yk u/\$f]5 .

æ (s\_ pk/fQm pkv08x?df pInlvT cj lw Joltt ePkI5 sg}pBf]usf]gfd jf  
:jfldTj kl/j tG eP klg To:tf] pBf]unf0{pQm pkv08x? adf]hd kgM  
cfos/ ;ljwf lb0g]5g .Æ

\$= dh P]gsf]bkmf !) sf]v08 -s\_ sf]pkv08 !@ kl5 - lb]bZgsf]bkmf !!=!=  
sf]aBf !@ df b]fo adf]hdsf]pkv08 -!#\_ / -!\$\_ yk u/\$f]5 .

æ!#\_ sg}klAns sDkglSf]?kdf /x\$] pBf]un] sldtdf hf/L kFlSf] kGw|  
kl]tzt zP/ lwtf]kq sf/f]af/ ug{dfGott k]kt ; yf dfk]t ; j {fwf/0fdf  
hf/L u/L Ps JolQmf0{a9ldf Ps;o yfg zP/ lng] zP/jfnx?sf]  
:jfldTj df /xg] u/L lj t/Of u/df To:tf pBf]unf0{yk kF k]tzt;Dd  
cfos/ 5b]sf];ljwf lb0g]5 .

-!\$\_ sg}pBf]un]cf^gf]dgfkmfaf6 >l % sf];/sf/n]g]kfn /fhkqdf ; r'gf  
k\$flzt u/L tf\$]sf]klAns sDkglSf]?kdf /x\$] pBf]usf]zP/df nufgl  
u/df To;/L nufgl u/\$f]/sddf ztk]tzt cfos/ 5b lb0g]5 .Æ

%= dh P]gsf]bkmf !) sf]v08 -u\_ sf]pkv08 -\$\_ kl5 b]fosf]pkv08 -\$\_s\_ yk  
u/\$f]5 .

æ\$\$\_ pkv08 -!\_ , @\_ / -#\_ df pInlvT cj lw Joltt ePkI5 sg}pBf]usf]  
gfd jf :jfldTj kl/j tG eP klg To:tf pBf]unf0{pQm v08x? adf]hd kgM  
cGtzNs ;ljwf lb0g]5g .Æ

### **!!!=% ldt )\$#!% sf]g]kfn /fhkqn]u/\$f]JoJ:yf**

>l % sf];/sf/n]cfB]us JoJ ; fo P]g, @)#\* sf]bkmf !) sf]v08 -s\_ pkv08 -  
!\_ -!\_ sf]k]f]hgsf nflu b]fosf j:tx? p]kfbg ugI/ ; j]f k]fg ugI3/h' tyf  
u]dlOf pBf]ux?nf0{cfos/ 5b g]bg]ul/ tf\$]sf]5 . t/ cfB]us JoJ ; fo P]g,  
@)#\* sf]bkmf !) sf]pkbkmf -!!\_ af/f k]Q cfos/ ;ljwdf sg}c; / gkg]ul/  
ldt )#\*.\*@( sf]g]kfn /fhkq v08 #! ; wof #% df k\$flzt pBf]u dGafnosf]  
; r'gf vf/h ul/ ldt )\$#!% sf]g]kfn /fhkq v08 #^ ; wof # df k\$flzt u/\$f]  
5 .

!= -s\_ cfwlgs -; h/\_ afx\$]sf rfdn ldn .

-v\_ cfwlgs afx\$]sf t]h, bfn, d]f ldn .

@= lr/fgl sf7 -; Mldn\_ .

#= r'/f, l; uf/, lj 8l / ; Itaf6 ag\$]f cG; fdfgx? .

\$= ; a]k\$]f/sf dlb/f, lj o/, 50f<sup>a</sup> / -; f]j]f6/, lhGh/ Pn, 6lgs jf6/ tyf  
ldg/n jf6/ afx\$ \_ sfaf]0H8 x]nsf k]x? .

%= s]yf / 6]gg .

^= km]g{/ .

&= :6]n] :6]nsf efBfatG / cG; fdfg .

\*= dl]zg k]f]u ul/ whf0{ug] .

(= hlk knf:g/ .  
 !)=a/km/ cf0; lqmd .  
 !!= knf0f]k .  
 !@= axdNo 9uf tyf hjfx/ft sl6<sup>a</sup> kflnlz<sup>a</sup> .  
 !#= h8fg pBf] .  
 !\$=06 .  
 !%= knf] / :k~h .  
 !^= tof/l kfzfs .  
 !&= kofls<sup>a</sup> dfq ug].  
 !\*= rnlrq .  
 !(= 6lg sf6] / .  
 @)=/a/ / /a/df cfwf]/t pBf] .  
 @!= tdf lkQndf cfwf]/t pBf] .  
 @@= nuf wg]; fag -emf] ; d]\_ .  
 @#= sfag k] / .  
 @\$=0gfd] sf] jfo/ .  
 @%= hl= cf0€ jfo/ .  
 @^= hl= cf0€ kf0k .  
 @&= lj B't\tf/ .  
 @\*= l; 6y]s n] / .  
 @=(= kmfd / :6lndf cfwf]/t pBf] .  
 #)= 8f0 ; ] Jof6k .  
 #!= l; Ns ofg{ .  
 #@= 6yk]6, 6ykfp8/ .  
 ##= 6y a} .  
 #\$.P= ; l= ; l= cf/= s08S6/ .  
 #%= sf]u]z]g dfq ug].  
 #^= h8fg jf c6o klqmfaf6 pTklbt Sof; 6] 6k, 6k l/s8], Sof; 6] Kn] /, 38L,  
 Sofnsh] /, uldf]k] /, ]]8of] 6]6hi6/, 6'-0g-j g, y]-0g-j g, 6]nlehg l:qmg,  
 lel8of]8] / lj B'taf6 rNg]lx6/, 6f]6/, ldS; /, s] / u]008/, h'; /, x] / 8fo/  
 tyf pkoQm k\$]/sf c6o ; fdfgx? .

**!!!=^ cf]fl]us Joj ; fo P] , @)#\* df bf]f] ; z]v]g )\$\$.&! n]u/\$]Joj:yf**

cf]fl]us Joj ; fo P] , @)#\* df ePsf] bf]f] ; z]v]g @)\$\$.&! n] dh P]sf]  
 ; flj s]f] bknf !) nf0{vf/]h u/L ; f] sf] ; \$f cfos/, lj qms/, e+f/, c]tzNs  
 ; Da6wl P]x? tyf c6o k]Int sfg]df hg; s} s]/f n]vPsf]eP tfklg o; P]  
 c]tu€ :yfkgf xg] pBf]x?nf0{b]fo adf]hd ; Af0f, ; lj wf tyf ; xlnot k]fg  
 ul/g]5 elg cfos/ ; lj wf ; Da6wdf ; z]v]wt bknf !) sf]pkbknf -!\_ sf]v08 -v\_  
 c]tu€ b]fo adf]hdsf]Joj:yf u/\$]5 .

- != pTkfbgdhs 3/h' pBf\unf0{ ; ~rfng ldltn]kfF jif{Dd ztkltzt cfos/ 5b lb0g5 .  
t/, >l % sf] ; /sf/n]gkfn pBf\ j fl0fHo ; 3; # k/fdz{u/l tflsPsf 3/h' pBf\unf0{To:tf]5b lb0g]5g .
- @= sf/f dfnsf] bz kltzt; Ddsf] nflu dfq kl/jTo{ ljbZl dbf cfjZos kgI pTkfbgdhs ; fgf pBf\unf0{ ; #fng ldltn]kfr jif{Dd cfos/ 5b lb0g5 .  
t/, >l % sf] ; /sf/n]gkfn pBf\ j fl0fHo ; 3; # k/fdz{u/l tflsPsf ; fgf pBf\unf0{To:tf]5b lb0g]5g .
- #= >l % sf] ; /sf/n]gkfn /fhkqdf ; Rgf k\$flzt u/l cfwf/et cfjZostsf j:t'pTkfbg ugI pBf\ j f /fli60 klyldstf kkt pBf\ elg tffsf pBf\ tyf phf\hs pBf\unf0{ ; ~rfng ldltn]kfF jif{Dd cfos/ 5b lb0g5 .
- \$= >l % sf] ; /sf/n]cGj ifof u/l kdfloft u/l; s\$] vfgl pIvvg ugI vlgh pBf\unf0{ ; ~rfng ldltn] kfF jif{Dd / nufglstf{ :jodn] cGj ifof u/l pIvvg ugI vlgh pBf\unf0{ ; ~rfng ldltn]cf7 jif{Dd cfos/ 5b lb0g5 .
- %= kIAns Inld6B sDkglstf]?kdf :yfkf ePsf] pBf\unf0{k\Int sfgg adf\hd nflg]s/kf7b cfos/df kfF kltzt sd xg]u/l s/kf7b cfos/ nuf0g5 .
- ^= lwtfkq sf/faf/ Pq @)\$) adf\hd, lwtfkq ; Rls/Of u/l lwtfkq sf/faf/ ugI sQb|dfkkt sDtdf kGw| kltzt z0/ hg;fwf/Ofdf lj t/Of ugI pBf\unf0{ pkv08 -%\_ adf\hd nflg]s/kf7b cfos/sf]b/df csf[kfF kltzt sd xg] u/l nuf0g5 .
- &= kIAns Inld6B sDkglstf]?kdf :yfkf ePsf pBf\ afx\$ cfo pBf\unf0{ k\Int sfgg adf\hd nflg]cfos/sf]kto\$ :nfadf kfrsf b/n]sd xg]u/l cfos/ nuf0g5 .  
pbf/Of M k\Int sfgg adf\hd cfos/sf]b/ !), !%, @) kltzt nflg]ePdf pBf\unf0{qmdzM%, !), !% kltztsf]b/n]nuf0g5 .
- \*= cNklj sl; t Ifqdf :yflkt pBf\unf0{kGw| kltzt / clj sl; t Ifqdf :yflkt pBf\unf0{ tl; kltztsf b/n]cfos/ 5b lb0g5 . To:tf] Ifqsf] jul\$ /Ofdf x7kq/ e} cfos/ 5b kkt gxg] ePdf x7kq/ xg' cl3 :yflkt pBf\unf0{ jul\$ /Ofdf x7kq/ ePsf]ldltn]kfF jif{Dd To:tf]cfos/ 5b lb0g5 .
- (= tflsPsf] pBf\un] cf^gf] jflif\$ pTkfbgsf] kRrL; kltzteGb a9L kl/df0f lgsf; l u/df ; f]j if\$]cfos/df nflg]/sddf kGw| kltzt /sd 5b lb0g5 / krf; kltzteGb a9L kl/df0f lgsf; l u/df kRrL; kltzt cfos/ /sd 5b lb0g5 .

!)=pTklfibt j:t\$]lj t/0f a9fpg jf ;]fsf]kj 4g ug{lj 1fkgsf nflu ul/g]vr{  
cltly ;Tsf/df xg]vr{/ ljn kZ ug{gkg]c6o ekl/ vr{]fkt sh cfosf]  
kfF kl'tzt /sd vb cfo lgwf{0f ubf{s\$]f ug{kfpg\$ .

!!= pBf]un]l:y/ h]yfsf]x]f; s\$]l ubf{cfos/ ;Da6wl k]Int sfggdf pMn]vt  
b/df kRrl; kl'tzt yk u/l x]f; s\$]l ug{kf0g\$ . l:y/ h]yfsf]x]f; s\$]l ubf{  
; dfg ls:tf k0ffnl jf clwstd b/dWb]sg}Ps b/df x]f; s\$]l ug{kf0g\$ .  
Ps k6s Pp6f b/df x]f; s\$]l ul/ ; s]k]5 csf]b/df s\$]l ug{kf0g]5g .

!@= ; #fng e]x\$]f]sg}pBf]un]kgM nufgl u/l pBf]usf]lj lj lws/0f u/df jf hl8t  
lfdtdf kRrl; kl'tzt jf ; f]e6f a9l lj :t]ls/0f u/df To:tf]pBf]usf]vb  
cfo lgwf{0f ubf{gofFyk l:y/ h]yfsf]kRrl; kl'tzt /sd vr{afkt s\$]f ug{  
kf0g]5 . o:tf]/sd Ps}k6s jf k6s k6s u/l a9ldf tlj jif{leq s\$]f ug{  
kf0g\$ .

!#= kl]lw tyf j:t' l]sf; tyf blftf a[4df ul/Psf] vr{afkt sh cfosf]  
t]sPsf]kl'tzt; Dd /sd vb cfo lgwf{0f ubf{vr{afkt s6fpg kf0g\$ .

!\$= ckfEnf0{/f]huf/l lbg]pBf]unf0{To:tf]JolQmf0{l60Psf]tna jf Hofnfsf]yk  
kRrl; kl'tzt /sd vb cfo lgwf{0f ubf{vr{]fkt s6fpg kf0g\$ .

!%= klAns lnd6\$ sDkgl\$]f?kdf :yfkf ePsf pBf]udf u/\$]f]nufglaf6 k]k]t xg]  
nfezdf cfos/ nflg]5g .

### **!!!=& ldit )\$\$.(@) sf]g]kfn /fhkqn]u/\$]f]Jo]j:yf**

>l % sf]; /sf/n]cfB]us Jo]j; fo Pq, @)#\* sf]bkmf @ sf]v08 -v\_ sf]pkv08  
-#\_ sf]k0f]hgsf lglD b]fo adf]hdsf pBf]ux? t]s\$]f]h]v08 #&, ; Wof #& efu  
# ldit )\$\$.(@) sf]g]kfn /fhkqdf pBf]u d6qfnosf]; 'rgf # k\$flzt ePsf]5 .

!= xft]tfg, k\$]n nd, cw{:j rflnt nd tyf jflk\$, /uf0{/ 5kf0{h:tf ; Da6wl  
sfo\$? .

@= l; nf0{agf0{ ; 'l\$]f/l -tof/l kf]zfs afx\$]\_ / lraqsf/l .

#= /f8l, kfvL, un]f .

\$= klZdgf .

%= pmgl kf]zfs .

^= kmfd ; Da6wl k]z]fut / k/Dk/fut sfo{.

&= l; sdl{k]z]fut sfo{sf7sf km]g{/ .

\*= afF, a] / lguinf\$]f ; fdgq? .

(= v/, k/fn / k]s]ts /z]faf6 ag\$]f ; fdgq? .

!)= xft]sfuh / o; af6 ag\$]f j:tx? .

!!= ; g, r]fl, c6o wft', 9uf, cw{lsdtl kTy/ Pj +sf7 / 5fnfsf x:tsnfsf  
j:tx? .

!@= dx .

!#= ; 7f].

!\$=sDxfn] kzfut sfo{ tyf ; ]fldS; sf j:tx? -ldlt )\$%.#@& sf] /fhkqdf  
k\$flzt ; 'rgf cg; f/ ptkfbg ug{pBfux?df kofu xg]d]zgn]cfwf cZj zIQm  
eGbf a9L lj B't zIQm kofu ug{kfpg]ul/ tflsPsf]5\_ .

!%= 5fnf sf6g] ; sfpq]/ ufdlOf 60fig<sup>a</sup> ug[sfo{? .

!^= xft]rvf{kofu xg]pmgl wfuf]stf0 pBfu -pmg sfl8<sup>e</sup> ubf{cfwf cZj zIQm  
eGbf a9L lj B't zIQm kofu ug{kfpg]ul/ ldlt )\$^!.^ sf]/fhkq cg; f/ yk  
ePsf] .

### bj6Ao

lj z]f ?kdf pNny u/\$f]df afx\$ dflysf pBfux?df ; #flnt sg}klg d]zgn]Psn]  
cfwf cZj zIQmeGbf a9L lj B't\df/ jf l8hh jf kofu jf qtb cfon 0lGhg zIQm  
kofu u/\$f]xg' x6g .

### !!!=\* ldlt )\$\$!).\$ sf]gkfn /fhkqn]u/\$f]JoJ:yf

ldlt @)\$\$!).\$ sf]gkfn /fhkq, v08 #& ; wof #( df k\$flzt ; 'rgf cg; f/ >l  
% sf] ; /sf/n]cfBflus JoJ ; fo Pq, @)\*# sf]bkrf !) -v\_ #\_ sf]kof]hgsf]nflu  
bxf0 adf]hdsf] pBfux?nf0{cfwf/e't cfjZostfsf] j:t' ptkfbg ug{pBfu jf  
/fli60 kfyldstf kkt pBfusf]?kdf tf\$]5 .

### -s\_ vfBfg

!= cfwlgs lrgl sf/vfgf .

@= Psls[ t]halh kzf]wg pBfu -t]h]lh v]l ; d]\_ .

#= Psls[ lrof kzf]wg -lrof v]l ; d]\_ .

\$= Psls[ 8]l -kzkfng ; d]\_ .

%= k]mkt]n kzf]wg .

^= a]l ktB / 6ol6xg ktB .

### -v\_ nQf sk8f

!= wfuf]pBfu ; 'tl dfq jf ; 'tl s[qd /zf / ldl>t wfuf] -sDtldf klg \$)  
k]tzt ; 'tl wfuf]ptkfbg jf ldl>t ug{k]g] .

@= sk8f -abf0{/ kzf]wg ; d]\_ ; 'tl dfq jf ; 'tl, s[qd /zf / ldl>t sk8f -  
sDtldf klg \$) k]tzt ; 'tl jf ; 'tl ldl>t sk8f ptkfbg ug{k]g] .

#= Psls[ sk8f pBfu -sDtldf \$) k]tzt ; 'tl sk8f ptkfbg ug{k]g] .

\$= pmgl dfq jf pmgl, s[qd /zf / ldl>t wfuf] -sDtldf \$) k]tzt pmgl  
wfuf]ptkfbg jf ldl>t ptkfbg ug{k]g] .

%= pmgl dfq jf pmgl, s[qd /zf / ldl>t sDan -sDtldf \$) k]tzt pmgl jf  
pmgl ldl>t sDan ptkfbg ug{k]g] .

^= ; f/l ; 'tl jf ; 'tl / s[qd /zf ldl>t pBfu .

&= ; lgs / kx/l]sf]nflu jlb{-sk8f a]g]/ tof/l kfzfs agfpg] .

\*= 5fnf sk8f jf Sofgef; hQf .

(= lhlgĒ, j llnĒ  
!)= ; lt xflho/l pBfŭ -@) \$%.^.! ) sf]/fhkqaf6 yk\_ .

**-u\_ cfjf;**

!= 6fon pBfŭ .  
@= cfwlgs 06f pBfŭ .  
#= Joj ; flos Hofj n pBfŭ .  
\$= kmfd 0:kft, Pndlgod / tdfd lkQnsf]lgdf0f ; fdulx? .  
%= :n0 9uf j f Ansx? .  
^= l; d06 Ans pBfŭx? .  
&= l; d06 .  
\*= Pd= P; = 00u6 j f lj n0 pTkfbg ug]pBfŭ .  
(= cfjf; lj sf; lgdf0f / lj qml lj t/0f Joj ; fo .  
-l; = g\* / ( ldl t ) \$%.^.! ) sf]g]kfn /fhkqdf k\$flzt ; r'gf cg' f/ yk\_ .

**-3. lzlf**

!= z]lfs ; fdul .  
@= ckm; 0 k] .  
#= lk06l<sup>a</sup>, /f0l6<sup>a</sup> tyf 8lkns]0<sup>a</sup> dl; .  
\$= sfuh / :6z'g/l ; fdul .  
%= ; l; fsnd .

**-a\_ :jf:Yo**

!= cfjfwl pBfŭ .  
@= h8la6l kzf]vg pBfŭ .  
#= ; hf0g, 8\$:6k j f6/ pBfŭ .  
\$= ; lh\$ n s6g / Jof08]h pBfŭ .  
%= :j f:Yo pks/0f / cf]hf/x? .

**-r\_ c6o**

!= 0l~hlgol/<sup>a</sup> pBfŭ .  
@= pBfŭdf k0fŭ xg] / ; fogx? .  
#= dnvfb .  
\$= sl6gfzs cfjfwl .  
%= s[l]fdf cfwl/t lj z]f pBfŭ . -) \$%.^.! ) sf]g]kfn /fhkqdf k\$flzt xg'  
k] {o; c6tu0 e0f afv] k'fng e6g]p]n]y ePsf] .  
^= s[l]f cf]hf/ .  
&= alh kzf]vg .  
\*= :6fr{/ lln\$fl]h .  
(= ; wfl/Psf]r]Nxf] .  
!)= la\$0 .  
!!= lj Bt\$sf ; fdul .

!@= ef65fsf ; fdfgx? .  
 !#= kmf/dhdfdf cfwf/t pBfux? .  
 !\$= sfk pBfyn]kpfu ug[plg wfuf]pTkfbg ug[pBfu . -)\$^.\*.% sf]gkfn /fhkqdf k\$flzt ; Rgf adf]hd yk ePsf] .  
 !%= ko6g lj efusf]l; kmf/; df btf{ePsf]xf0n, l/hf{tyf nh .gkfn /fhkq ldt )\$&.^.@ sf]; Rgf adf]hd yk ePsf]

**!!-!( ldt )\$%#.@& sf]gkfn /fhkqn]u/\$f]JoJ:yf**

ldt )\$%#.@& sf]gkfn /fhkqdf k\$flzt pBfu d6qfnosf]; Rgf cg' f/ >l % sf]; /sf/n]cfBfus JoJ; fo Pq, @)#\* -; zfwg, @)\$ \$ ; lxt\_ sf]bkmf @ sf]-7\_ n]lbPsf]clwsf/ kpfu ul/ bxfosf lfqnf0{ljsl; t, cNkljsl; t tyf cljsl; t lfq tf\$5 .

-s\_ lj sl; t lfq M -!\_ sf7df8f]pkTosf .  
 -@\_ xof\$ , lj/uh, k/jfglk', lj/f6gu/sf]% ls= dl= kl/lw dfq .  
 -v\_ cNk lj sl; t lfq M -!\_ c6o gu/ kflnsf lfqx? .  
 -@\_ pBfu :yfkf xg]:yfgsf] % ls= ld= leq k\$sl ; 8s / lj hhlsl]; lj wf kl\$ Onfsfx? .  
 -u\_ clj sl; t lfqx? M -s\_ / -v\_ afx\$sf c6o lfqx? .

**!!-!( ldt )\$^!@^ sf]gkfn /fhkqn]u/\$f]JoJ:yf -3/h'pBfu tkh**

>l % sf]; /sf/n]cfBfus JoJ; fo Pq, @)#\* sf]bkmf !) sf]v08 -v\_ sf] pkv08 -!\_ sf]kl]tj6wftds jfSofzsf]kpf]hgsf nflu bxfosf j:t' pTkfbg ug[ 3/h'pBfux?nf0{cfos/ 56 glbg]u/l tf\$5h]v08 #^ ; wof # ldt )\$%#.!% sf]pBfu d6qfnosf]; Rgf ! vf/h u/l ldt )\$^!@^ sf]gkfn /fhkqdf ; Rgf k\$flzt u/\$f]5 .

!= -s\_ cfwlgs -; h/\_ afx\$sf]rfdn ldn .  
 -v\_ cfwlgs afx\$sf]tjh d6f ldn .  
 @= axdNo 9uf tyf hjfx/ft sl6<sup>a</sup>, klnl; <sup>a</sup> ug[pBfu .  
 #= sTyf / 6lgg pBfu .  
 \$= r/f, l; uf/, lj 8l / ; 'l6f6 ag\$]c6o ; fdfg agfpg]pBfu .  
 %= ; a}k\$ /sf]dfbs kbfy6Qm k6 kbfy{dlb/f -; f08/ afx\$ \_ lj o/ 5of<sup>a</sup> -bu6 lfqdf kmkthaf6 ag\$ dlb/f afx\$ \_ agfpg]pBfu  
**:kli6s/of** M o; v08sf]kpf]hgsf nflu bxfosf lhNnfx?nf0{bu6 lfq dflgg5 .  
 -!\_ xDnf -@\_ du' -#\_ hDnf -\$\_ 8f]kf -%\_ sflnsf6 ^\_ d':tf<sup>a</sup> -&\_ dgf<sup>a</sup> -\*\_ /; jf -( ; fhvDa' -!)\_ tfknh<sup>a</sup> -!!\_ ; vjf; ef -!@\_ bfrhf -!#\_ afh/f -

!\$\_ aenf<sup>a</sup> -!%\_ afln<sup>a</sup> -!^\_ kjt -!&\_ Dofubl -!\*\_ c5fd -!(  
l; GwkfNrf\$ IhNnfsf]; dfy<sup>a</sup> ufpAj sf; ; ldt  
^= lr/fgl sf7 -; Mdl\_n\_pBfU .  
&= 06 pBfU -cfwlg afx\$ .  
\*= Kofls<sup>a</sup> dfq ugI pBfU .  
(= sf7sf]kmgf/ agfpg]pBfU .  
!)=sf]f dfnsf]!) k z= ebf a9lsf nflu kl/jTo{ljbzL dbf cfjZos kgI  
pTkfbgdhs 3/h' pBfux? -v08 #&, ; Wof #( ldt )\$\$!)\$ gkfn /fhkq  
efu # df k\$flzt o; dGqnosf]; r'gdf t]sPsf pBfux?sf] ; r'ldf k/\$f  
3/h' pBfux? afx\$ .

**!!=!! ldt )\$^!@^ sf]gkfn /fhkqn]u/\$f]JoJ:yf -; fgf pBfU tkh**

>l % sf] ; /sf/n]cfBf]us JoJ ; fo Pq, @)#\* sf] bkrf ! ) sf] v08 -v\_ sf]  
pkv08 -@\_ sf]kl]tj Gwfd s jSofzsf]kpf]hgsf nflu bxfosf j :tx? pTkfbg ugI  
; fgf pBfux?nf0{cfos/ 5b g]bg]u/l ldt )\$^!@^ sf]gkfn /fhkqdf pBfU  
dGqnosf]; r'gf @ k\$flzt ul/Psf]5 .

!= -s\_ cfwlg -; h/\_ afx\$sf]rfdn ldn .  
-v\_ cfwlg afx\$sf]t]h dbf ldn .  
@= axdNo 9uf tyf hjflx/ft sl6<sup>a</sup>, klnl; <sup>a</sup> ugI pBfU .  
#= sTyf / 6lgg pBfU .  
\$= r'/f, l; uf/, lj8l / ; t'af6 ag\$]c6o ; fdfg agfpg]pBfU .  
%= ; a}k\$/\$f]dfbs kbfyQm kpf kbfy{dlb/f -; f08/ afx\$ \_ lj o/ 5of<sup>a</sup> -buđ  
lfqdf kmkthaf6 ag\$]dlb/f afx\$ \_ agfpg]pBfU .  
:kli6s/of Mo; v08sf]kpf]hgsf nflu bxfosf lhNnfx?nf0{buđ lfq dflgg\$

!\_ xDnf -@\_ du' -#\_ hDnf -\$\_ 8f]kf -%\_ sflnsf -^\_ d':tfa -&\_ dgfa  
-\*\_ /; jf -( ; fhvDa' -!)\_ t'kn]h<sup>a</sup> -!!\_ ; v]f; ef -!@\_ bfrhf -!#\_ afh/f  
!\$\_ aenf<sup>a</sup> -!%\_ afln<sup>a</sup> -!^\_ kjt -!&\_ Dofubl -!\*\_ c5fd  
-!( l; GwkfNrf\$ IhNnfsf]; dfy<sup>a</sup> ufpAj sf; ; ldt  
^= lr/fgl sf7 -; Mdl\_n\_pBfU .  
&= 06 pBfU -cfwlg afx\$ .  
\*= Kofls<sup>a</sup> dfq ugI pBfU .  
(= sf7sf]kmgf/ agfpg]pBfU .

**!!=!!@ ldt )\$&#.@% sf]gkfn /fhkqn]u/\$f]JoJ:yf**

gkfn /fhkq efu #, ldt )\$&#.@% df k\$flzt pBfU dGqnosf]; r'gf @ cg' f/  
>l % sf] ; /sf/n]cfBf]us JoJ ; fo Pq, @)#\* sf] bkrf ( sf]pkbkrf -!\_ sf]v08 -

u\_ n] lbPsf] clwsf/ kofu ul/ bxfosf pBfux?nf0{klg slifdf cfwf/t ljzif  
pBfus]judf t\$}f]5 .

!= t/sf/l agf{ kmkthsf lj?jf, ; hfj 6sf]lj?jf, kthsf agf{ ag lj?jf, t/sf/l  
tyf kmkthsf alp pTkfbg ; DaGwl pBfu .

@= slkm v]l tyf kzfvg ; DaGwl pBfu .

#= h8la6l v]l tyf kzfvg ; DaGwl pBfu .

\$= cbjf v]l tyf kzfvg ; DaGwl pBfu .

%= kmkth kzfvg u/l cnsfkn /lxt ljleGg kbfy{ pTkfbg ugI pBfu -ldt  
)\$#.@^ sf]gkfn /fhkqaf6 yk\_

^= kmkth v]l -ldt )\$\*.%!& sf]gkfn /fhkqaf6 yk\_ .

**!!=@ cfBfus Joj ; fo Pq, @)\$ ( cg' f/ kfg]; ljwf ; DaGwl Joj :yf**

cfBfus Joj ; fo Pq, @)\$ ( -dh Pqsf] bkmf !% / !^\_ cg' f/ pBfunf0{lb0g]  
; ljwf tyf ; xlnot Mcfos/, ljqls/, cgtzNs, e+f/ ; DaGwl sfggx? Pj+c6o  
kflnt sfggdf hg; s}s/f n]vPsf]eP tklg pBfun]bxf0 adf]hd ; ljwf tyf  
; xlnot kfg]ePsf]dh Pqsf] bkmf !% df bxf0 adf]hdsf]Joj :yf u/\$f]5 .

cfBfus Joj ; fo Pq, @)\$ ( sf] bkmf !% sf]-dh Pqsf] ljleGg v08x?df pNn]vt  
/fli60 kfyldstf kkt pBfux?sf] ; rL cg' rL @# df tyf clt clj sl; t,  
clj sl; t, cNk lj sl; t Pj +; fdf6o lj sl; t lfx?sf] ; rL cg' rL @\$ df pNny  
ul/Psf]5 .

s= 3/h' pBfunf0{ljqls/, cgtzNs tyf cfos/ nllg]5g .

v= r/f, lj 8l, dlb/f, lj o/, ag:klt fo," knfli6s, On\$60gs h8fg pBfu afx\$  
c6o pTkfbgdhs, phf6hs, slif tyf jgh6o -; Mdn / styf afx\$ tyf  
vlgh pBfun]Jofkl/s pTkfbg z? u/\$f]lditn]kF jif\$fnflu cfos/ 56  
kfg]5 .

t/ knfli6s pBfux? dWb] cf} Jo= Pq, @)\$ ( sf] bkmf !% -v\_ / -u\_ ; #  
; Dal6wt cg' rL \$ df pNn]vt ePsf /fli60 kfyldstf kkt pBfux?sf]  
; rLdf k/\$f pBfux?af6 pTkfbg xg]knfli6ssf j:tx? pTkfbg jf kzfvg ugI  
pBfux?nf0{pQm ; ljwf k6fg ul/g].

-af\$}ldit )%\*.!) df a; \$f]!!& cf}a}ssf]lg0f6 g=\$ cg' f/\_ .

u= cf} Jo= Pq, @)\$ ( sf] cg' rL \$ df pNny ePsf /fli60 kfyldstf kkt  
pBfun]yk b0{j if\$}cfos/ 56 kfg]5 .

t/ cg' rL \$ df tllsPsf]slif tyf jgh6o pBfun]eg]kF jif\$}cfos/ 56  
kfg]5 .

3= r/f, lj 8l, dlb/f, lj o/, ; Mdn / styf pBfu afx\$ cf^gf]pTkfbgdf kofu  
xg]sf]fdnsf]gAa]jf ; f66f a9l kltzt :jbzl sf]fdn pkofu ugIcg' rL  
\$ df gk/\$f c6o pTkfbgdhs, phf6hs, slif tyf agh6o pBfun]v08 -v\_

adfllnd pknAw xg] kfF j if\$] cfos/ 5b\$] cj lw ; dfkt ePkI5 yk b0{ j if\$]cfos/ 5b kfp\$ .

<sup>a</sup>= pBflunf0{nflg]cfos/sf]kto\$ :Nofj jf skf76 s/df kfF kj f066sf b/n]sd xg]u/l cfos/ nflg\$ .

**pbfx/Of** M krlnt sfggdf cfos/sf]b/ bz, kGw|/ al; kltzt nflg]ePdf pBflunf0{qmdzM kfF, bz / kGw|kltztsf]b/n]/ skf76 s/ rfnl; kltzt eP krl; kltztsf]b/n]cfos/ nflg\$ .

r= r'/f, la8L, dlb/f / ljo/ afx\$ cf} Jo= Pq, @)\$ ( sf]cg'; Fl # df pNny/ ePsf clt clj sl; t, clj sl; t, cNk lj sl; t Pj +; fdfco lj sl; t Ifqx?df :yflkt pBflunf0{nflg]cfos/df qmdzM ; f7L, krf; , al; / bz kltzt tyf nflg]cGtzNsdf krl; , kRrL; , kGw|/ bz kltzt 5b lb0g\$ . cg'; Fl df pNny/vt Ifqsf]j ul\$/ofdf x]krl/ e0{5b kkt gxg]ePdf pBflun]to:tf]x]krl/ ePsf]ldltaf6 kfF j if{ Dd o:tf]5b kfp\$ .

5= du'; xDnf, hDnf, 8fllkf, snlsf, afh'/f, bfrhf, aemf<sup>a</sup>, c5fd, d':tf<sup>a</sup>, dgf<sup>a</sup>, ; fhvDa'; ; vjf; ef tyf tfln<sup>h</sup> lhNndf :yflkt kRrL; nfv ?k0fDdsf] l:y/ h'yf ePsf] kmkthdf cfwl/t kmkth kzf]wg tyf ; f08/ Pj +j f0g pTfkg ug]pBflun]bz j if{tyf kmkth d}cfwl/t dlb/f pTfkg ug]pBflun] kfF j if{cGtMzNs Pj +j qms/ 5b kfp\$ .

o:tf] 5b\$] cj lw k'/f ePkI5 kmkthdf cfwl/t dlb/f pBflunf0{>l % sf] ; /sf/n]yk tlq j if{ Ddsf]cGtMzNs tyf lj qms/ 5b lbg ; Sg\$ .

h= pBflun]l:y/ h'ysf]xl; s\$L ubf{krlnt cfos/ ; Dj Gwl sfggdf pNny/vt b/df ; fxl b/sf]Ps ltxf0{yk u/l s\$ ug{kfp\$ .

e# :6s PS:rllndf ; Fls/Of u/l sDtdf kGw|kltzt z0/ Ps ; o hjfg eGb a9lnf0{ ; fj hlg\$ ?kdf lj t/Of ug]klAns lnd68 sDkglN]v08 -<sup>a</sup> j dfllnd nflg]skf76 s/sf]b/df yk kfF kj f066sf b/n]5b kfp\$ .

` = pBflun]to; }pBfludf jf c? pBfludf kgM nufgl u/l pBflusf]lj lwls/Of jf kRrL; kltzt jf ; f]eGb a9l hl8t lfdtdf lj :tf/ klj lwsf]cfwlgsls/Of, ; xfos pBflusf]lj sf; u/df to:tf]pBflusf]vb cfo -60fs; ]n Ogsd\_ jf6 gofFyk l:y/ h'ysf] rfnl; kltzt s\$ ug{kfp\$ . o:tf] 5b Psdl6 jf k6s k6s u/l tlq j if{eq s\$ ug{kfp\$ .

6= sg} pBflun] krl'of lgo6qof jf jftj/Ofdf Gogtd c;/ kfg]k4lt tyf pks/Ofdf u/\$]nufglsf]krf; kltzt; Dd vb cfo -60fs; ]n Ogsd\_ jf6 s\$ ug{lb0g\$ . o:tf] 5b Psdl6 jf k6s k6s u/l tlq j if{eq s\$ ug{kfp\$ .

-7\_ pTkfbg z? xg' cl3 pBfūn] zlk lj sf; tfnlddf u/\$f] vr{ kfls[ ug{ kfpq\$ .

8= af\$[f] l; kml/zdf >l % sf] ; /sf/n] gkfn /fhkqdf ; Ğgf k\$flzt u/L tflsPsf] ko6g, ; Jf tyf lgdf{ pBfūnf0{ kfF jif{ Ddsf] cfos/ 56 lbg ; Sg\$ .

o; kpf]hgsf] nflu >l % sf] ; /sf/n] gkfn /fhkq efu # sf] v08 -^\_ ldt @)%#.!.) df bxfosf pBfūx?n] % jif{ Dd cfos/ 56 kfpq] u/L ; Ğgf k\$flzt u/\$f]5 .

**s= ko6g pBfū**

!= xfn @= l/hf{

**v= lgdf{ pBfū**

!= ; 8s @= kh #= 6g] \$= /fkj] %= ^nf0E allh ^= 6kna; &= /hj] \*= clkM; Pj +cfj f; sDkn\$;

**u= ; Jf pBfū**

!= c:ktfn @= gl; f xfd #= sDko6/ ; ^6j }/

3= lj Bt tyf Jof6k] f6 ; #fng xg] tlg kfa\] / rf/ kfa\]; fj h]gs kl/j xg ; #fng ug] pBfū / ; f]; fj h]gs kl/j xgsf nflu cfj Zos kg] Jof6k rf/lh8) ; Jf ug] pBfūnf0{ ; #fng ldtj f6 % jif{ h]flu cfos/56 lbg]. -ldt @)%#.#.! sf]gkfn /fhkq\_

**b]6JoM**

pk/fQm cfos/ ; lj wf cf]o= Pq @)\$ ( df ePsf]kyd ; zfv]g kZrft\ cfj lws cfos/ ; lj wf kbf]g ug] Joj :yf g/xk]5 bt{ePsf pBfūx?n] pQm ; lj wf kfpbq .

9= pBfū ; ~rfngdf cfPkl5 klj lw tyf j :tlj sf; Pj +blftf a[4df ePsf vr{ sh dgfkmsf]bz kl'tzt; Dd /sd vb cfoaf6 s\$ ug{kfpq\$ .

0f= pBfūdf u/\$f] nufglj f6 klt xg] nfezdf cfos/ nflu]5q .

-of] Joj :yf slx gkfn Pq ; zfv]g ug] Pq @)%& ldt @)%&.\$.^ sf]gknf /fhkq efu @ v08 %) df k\$flzt ; Ğgf af/f vf/h ePsf]5 .

t= lj Bfno, dxflj Bfno, lj Zj lj Bfno, c:kftfn, wld\$ :yn / ; fdlhs sfodf pBfūn] cf^gf] vb cfosf] kfF kl'tzt; Dd bfg bftJo lbPsf] /sd vb cfo lgwf{of ubf{s\$ ug{kfpq\$ .

y= pTkflbt j:t\$flj t/Of j 9fpg jf ;]fsf]k] 46 ug{l] 1fkgsf]nflu ePsf]vr{  
cltly ;]sf/df ePsf]vr{/ c6o o:t}vr{jfkt sh cfosf]kF kltzt /sd  
vb cfo lgwf{Of ubf{s\$ ug{kfpg\$ .

b= Pp6}pBflun]^ ; o jf ; f]e6bf j 9L hgziQmf0{k]oIf /f]huf/L lbPdf k\$/Of v  
/ u adf]hd k]t xg] cfos/sf] 56sf cltI/Qm yk b0{jif\$] cfos/ 56  
kfpg\$ .

w= cGtMzNs jf ljqls/ jf ba}nfu\$] :jbzl sRrf kbfi{/; fog, kofls<sup>a</sup>  
d6V/on; cflb csf]pBflun]kofi u/df To:tf]pBflun]sRrf kbfi{/; fog tyf  
kofls<sup>a</sup> d6V/on; df nfus\$] cGtMzNs jf ljqls/ jf ba}To:tf] sRrf kbfi/  
/; fog tyf kofls<sup>a</sup> d6V/on; kofi ug]pBflun]lkmtf{kfpg] 5 . o; /L lkmtf{  
kfpg]/sd l/tk] \$ b/vf:t lbPsf]ldltN]; f7L lbgleq lkmtf{lboG\$ .

g= lgsf; ljf6 cfhg ePsf]cfodf cfos/ nflG\$g .

-of]JoJ :yf slx g]kn P6 ; zfvG ug]P6 @)%& ldt @)%&.\$.^ sf]g]knf  
/fhkq efu @ v08 %) df k\$flzt ; Fgf af/f vf/h ePsf]5 .

k= pBflun]cf^gf]pTkfbg jf pTkfbgdf kofi u/\$] sRrf kbfi{; xfos sRrf  
kbfi{cflbdf lt/\$] e6; f/, ljqls/, cGtMzNs tyf lkldod lgsf;L u/\$]  
kl/df0sf]cfwf/df lkmtf{lboG\$ . To; /L lkmtf{xg]/fhZj lkmtf{kfpg l/tk] \$  
b/vf:t lbPsf]; f7L lbgleq lgsf; lStff0{lkmtf{lboG\$ .

t/ o:tf]/sd lkmtf{kfpg lgsf;L u/\$]Ps jif{eq b/vf:t glbPdf lkmtf{lboG]  
5g .

km# cf^gf]pTkfbgsf]gAa]kltzt jf ; f6bf a9L lgsf;L ug]pBflun]lgoff k] 46  
lGdf :yflkt pBflun]kfpg]; /xsf]; ljwfx? kfpg\$ .

a= lj bzl dbf cfhg xg]u/L clw/fHoleq sg}pBflun]cf^gf]pTkfbg lj lqm u/df  
To:tf]pTkfbgdf nfus\$]cGtMzNs, ljqls/ tyf To:tf]pTkfbgdf kofi ePsf]  
sRrf kbfi{; xfos sRrf kbfi{cflbdf nfus\$] e6; f/ dx; h, cGtMzNs,  
ljqls/ tyf lkldod lkmtf{lboG\$ . To; /L lkmtf{xg]/fh:j lkmtf{kfpg l/tk] \$  
b/vf:t lbPsf]; f7L lbgleq To:tf]pBflunf0{lkmtf{lboG\$ .

t/ o:tf]/sd lkmtf{kfpg ljql u/\$]Ps jif{leq b/vf:t glbPdf lkmtf{lboG]  
5g .

e= lgoff xg]cfBflus j:t' -066/ldl8o6 u8\\_  
pTkfbg ug]pBflun]pTkfbg ; fdulldf nfus\$]e6; f/ dxzh, ljqls/, cGtMzNs  
tyf lkldod / pTkfbgdf nfus\$]ljqls/ / cGtMzNs lgoff ePsf]kl/df0df  
lkmtf{lboG\$ . To; /L lkmtf{xg]/fh:j lkmtf{kfpg ljql u/\$]; f7L lbgleqdf  
lgsf; lStff0{lkmtf{lboG\$ .

t/ o:tf]/sd lkmtf{kfpg lgoff u/\$f]Ps j if{eq b/vf:t glbPdf lkmtf{l0g] 5g} .

d= lgoff kj 4g lfgdf :ykgf ePsf pBf]n]kpf] ug]dlzg cf]f/ Pj +sRrf kbfydf / lgsf;l xg]pTkfbgdf sg}S/, zNs j f b:t/ nflg]5g}

**!!=#= uf] / lofF pBf] ; DaGwl Joj :yf**

ag tyf e" Af0f dGqnosf]ldlt @)%#.!.^ sf]kqfg' f/ uf] / lofF knf06 pTkfbg ug]pBf]x?nf0{cfj Zos kg] ; fdfgx?df nflg]lj qm]s/ tyf eG; f/ 5b l; knf]z ; DaGwl sf/j fxl ag tyf e-; Af0f dGqnoaf6 xg} .

**!!=\$ l:klgE k]d kpf] ug]p]m] wfuf]pBf]n]cfos/ 5b gkfp]g**

cfBf]us Joj ; fo P] @)#\* -bf}] ; zfv]g ; d]\_ sf] bknf @ -v\_ sf] # cg' f/ :yflkt pTkfbgdhs 3/h' pBf]n] pQm P]sf] bknf !) -!\_ sf] v -!\_ cg' f/ ; ~rfng ldltb]v % j if{cfos/ 5b kfp]g]klj wfg /x\$]5 . t/ p]m] wfuf]pTkfbg ug]pBf]x?n]xft]rvf{kpf] u/\$f]cj :yfdf dfq pkoQm adf]hdsf]cfos/ ; lj wf kfp]g]u/L Psaf/ ; ldlt]n]ldlt %)\$.!\$ df lg0f6 u/\$f]x]f o:tf pBf]x?sf] pBf] lg/lf0f u/f0{l:klgE k]d kpf] ePsf] gkf0Pdf dfq cfos/ 5b]sf] nflu l; knf]z ug{k]g} .

**!!=% ; h/ dl]n]yk cfos/ ; lj wf gkfp]g**

; h/ dl]n]x?n]cfBf]us Joj ; fo P] @)#\* -kyd ; zfv]g cl3\_ sf] bknf !) -s\_ sf] # adf]hd yk @ j if{cfos/ 5b]sf] nflu ; lj wf dfu u/\$f] ; DaGwdf cfj Zos pkef]o j :thf0{yk @ j if{cfos/ 5b kfp]g]Joj :yf ldlt @)\$@.&!# ; Dd dfq sfod /x\$] / pQm ; lj wf xl6 ; s]k]5 dfq bt{e0{ ; ~rfngdf cfPsf o:tf ; h/ dl]n pBf]x?nf0{cfos/ ; lj wf pknAw u/fpg gldNg]u/L Psaf/ ; ldltaf6 ldlt %)\$.!\$ df lg0f6 ePsf]5 .

**!!=^ dxzh lkmtf{-806L 8«Jofs\_**

ldlt @)\$(.(!& df cy{dGqnodf ePsf] ; eQm a]sn] 806L 8«Jofs ; DaGwdf lgDg adf]hdsf]lg0f6 u/\$f]5 M

sg}pBf]n]cf^gf]pTkfbg sg}klg dh'sdf lgodfg' f/ lgoff u/\$f]cj :yfdf ; f] sf]sRrf kbfyx?df nfu\$]lj leG 806Lsf]-dxzhx?\_ 806L 8«Jofs ; DaGwdf P] df Joj :yf ePsf]Psaf/ ; ldlt c]tu] k]lj lws pk; ldlt u7g u/L To; ; ldltaf6 ; a}sfuhft x] tyf e]ts vkt lgwf]0f u/L lkmtf{lbg' kg] /sd ls6fg u/L l; knf]z ePk]5 Psaf/ ; ldlt]n]lkmtf{ul/lbg]Joj :yf u/\$f]5 .

**!!=& k/fgf]P] cg' f/ kfp]g af]L ; lj wf**

cfBfl]us Joj ; fo Pđ, @)#\* sf]bkrf !) s -!\_ cg' f/ pTkfbgdhs pBflun]ldlt  
@)#\*. \*.@( / @)\$#!.% sf]/fhkqdf k\$flzt ; Ğgf cg' f/ cfos/ 5b gkfpjg  
elg tfl]sPsf 3/h' pBflux? afx\$ cġo pBflun]; ~rfng ldltaf6 ^ jif{cfos/ 5b  
kfpjg] kfljwfg tyf ; fgf pBfl]sf] xsdf pQm ; dodf dNo clea[4sf] cfwf/df  
cfos/ 5b kfpjg]/ cf} Jo= Pđ, @)#\* df ldlt )\$\$.&! df ePsf]bf}f]; zfl]vg  
cg' f/ pTkfbdhš 3/h' tyf ; fgf pBflun]ldlt )\$^!.@.^ sf] gkfn /fhkqdf  
k\$flzt ; Ğgf cg' f/ cfos/ 5b gkfpjg]u/l tfl]sPsf pBfl] afx\$ cġo 3/h' tyf  
; fgf pBflun]; ~rfng ldltaf6 % jif\$]cfos/ 5b kfpjg]Joj :yf ePsf]h]pkoQm  
; ljwfx? kflkt ug{af\$ /x\$ pBflux?n]to:tf]; ljwf dfu u/df dfl]y pNn] eP  
cg' f/ lgof\$]nflu Psáf/ ; ldltdf k} ug{kġ\$ . cf} Jo= Pđ, @)\$ ( df ePsf]  
klxn]; zfl]vg -@)%\$.@.&\_ cg' f/ ; fljssf]bkrf @) df pk bkrf -#\_ yk e}of]  
; zfl]vg nfu' xġ' eġbf klxn]btf{ePsf jf cġdlt kfPsf pBfl]sf]xsdf btf{xġf jf  
cġdlt kflkt ubf\$]f] cj :ydf sfgġ adfl]hd kfpjg] ; ljwf tyf ; xlnot kfpjg]  
Joj :yf u/\$f]5 .

**!!=\* cġo ;ljwf tyf ;xlnot**

b}fosf pBflux?nf0{Pđ]sf]bkrf !% df pNn]vt ; ljwf tyf ; xlnotx?sf cltl/Qm  
; fl] Pđ]sf] bkrf !^ cg' f/ b}fo adfl]hdsf ; ljwf tyf ; xlnotx? ; d} lbg  
; lsg\$ .

s= jg k}fj f/df cfwf/t pBflunf0{sjlnot jf lnhd f jg pknAw u/fpg ; lsg]  
5 .

v= pBflun] cf^gf] pkof]sf] nflu ljB't zIQm pTkfbg u/df sg}b:t/ -/đN6L\_  
nflg]5ġ .

u= lgofġ kj4ġ pBfl], lgofġ kj4ġ lfġ / ; /sf/L jf u} ; /sf/L cfBfl]us lfġdf  
:yfkf xġ] tfl]sPadfl]hdsf pBflunf0{>l % sf] ; /sf/n]gkfn /fhkqdf ; Ğgf  
k\$flzt u/L yk ; ljwf lbg ; Sġ\$ .

3= sg}/fli6ġ kfyldstf kflkt pBfl] jf gkfnleq cflj]sf/ u/L :yfkf ePsf  
pBflux?sf]nflu af\$]f]l; kfl/; df dġqlkl/ifb\$]lgofġn]gkfn /fhkqdf ; Ğgf  
k\$flzt u/L yk ; ljwf lbg ; lsg\$ .

a= krxQ/ s/f\$ ?k}feġbf a9L l:y/ kfl nufgl u/L :yfkf xġ]pBflunf0{yk b0{  
jif\$]cfos/ 5b lb0ġ\$ .

r= pBfl]sf]sRrf kb]y{Pj +pTkfbgd f}f]f]lj qm s/ nuf0ġ]5ġ .

**!!=( ;ljwf Pj +; xlnot pknAw u/fpg Psáf/ ;ldlt tyf pk;ldltsf]Joj :yf**

cfBfl]us Joj ; fo Pđ, @)\$ ( adfl]hd pBflux?n]kfpjg]; ljwf tyf ; xlnot Ps}  
ynf}af6 ; dod}pknAw u/fpg bkrf !& cg' f/ Psáf/ ; ldlt u7g ul/Psf]5 .  
3/h' tyf ; fgf pBflunf0{kġQ ; ljwf Pj +; xlnotx? pknAw u/fpgsf nflu

ljefuaf6 kž ul/g]k|tfj dfly pQm ;ldltn] ;ljwf lbg]jf glbg]elg lg0f6  
 ug5 . tIkZrft\dfq ;f]lg0f6 sfoff]ogsf]nflu ljefuaf/f ;lw} ;DalGwt  
 sfoffnonf0{kqfrf/ ul/g5 . o; kof]hgsf]nflu Psáf/ ;ldltdf k|tfj kž  
 ug5]nflu ;DalGwt sfoffox?n]ljefudf nyl k7fp5f /fo ;lxt cg'rl @%  
 adf]hdsf cfjZos ;a}lj j /of k7fp'kg5 .

Psáf/ ;ldltsf]ldlt @)%&.!@.& sf]a7ssf]lg0f6 g+% af6 lgDg  
 cg'f/ pk ;ldltx? sfod u/L lgDg cg'f/ clwsf/ k|ofof]hg ePsf]5 .

**Psáf/ ;ldltnf0{k|kt clwsf/ pk ;ldltnf0{k|ofof]hg ug}**

s\_ cfBfl]us glit / cfBfl]us Joj;fo Pq]sf]efjgf / dd{cg?k  
 pBfl]x?n]k|kt ug{;]f tyf ;ljwfx? Ps}ynf]af6 ;do d}k|kt ug{  
 ldlt @)%\$.!).^ sf lbg a; \$f] ;ldltsf]!) ( cf} a7saf6 cfBfl]us  
 Joj;fo Pq @)\$ ( sf] bknf !& -!\_ cg'f/ ul7t Psáf/ ;ldltdf  
 k|tlglw]j ug]ljleGg lgsfosf]oyf; Dej k|tlglw]j xg]lx; fjn]; f]l  
 Pq]sf]bknf !\* -#\_ n]lbPsf]clwsf/ kof]u ul df]u, wglff, k; f{  
 sf7df8f}-sf:sl, ?kGb]l / afs]; lxt & lhNnfdf ePsf]ns sfo{lfq  
 ; d]t t]sl clwsf/ k|ofof]hg e0{sfo{t /x]sf]df lfq lj:tf/ u/L yk  
 lhNnaf6}; ljwf tyf ;xlnot pknJw u/fpg ;ldltnf0{k|kt clwsf/  
 d]b]lgDg clwsf/x? lfqut cfwf/df b]fo adf]hd pk ;ldltsf]u7g  
 u/L k|of]hg ul/Psf]5 .

v\_ Psáf/ pk ;ldlt -sf7df8f}jfx\$sf]nflu\_

!\_ kdv pBfl] clws]÷kdv pBfl] clws] gePsf]lhNnfdf  
 pBfl] clws] ; eP]hs

@\_ k|tlglw -clws] :t/\_ e#f/ sfoffo -pk ;ldlt u7g  
 ePsf]lhNnf\_ ; b:0

#\_ k|tlglw -clws] :t/\_ s/ sfoffo -pk ;ldlt u7g  
 ePsf]lhNnf\_ ; b:0

\$\_ k|tlglw -clws] :t/\_ d]No clej [4 s/ sfoffo  
 -pknJw eP; Dd\_ ; b:0

%\_ k|tlglw -clws] :t/\_ g]kn /fi6«a\$ -pknJw eP; Dd\_  
 ; b:0

^\_ k|tlglw -clws] :t/\_ ko6g sfoffo÷ko6g ;rgf s]b|  
 pknJw eP; Dd\_ ; b:0

&\_ k|tlglw -clws] :t/\_ g]p=j f= ; 3sf]lhNnfl:yt k|tlglw  
 ; b:0

\* \_ k|t|glw 3/|h' tyf ; fgf pBf|u dxf; 3sf]; Dj lGwt lhNnfsf]  
 k|t|glw ; b:o

**Psáf/ pk ; ldt -sf7df8f}f]nflu\_**

!= dxf lgb}z s 3/|h' tyf ; fgf pBf|u lj efu ; of|hs  
 @= k|t|glw s/ lj efu ; b:o  
 #= k|t|glw e;f/ lj efu ; b:o  
 \$ k|t|glw dNo clej [4 s/ lj efu ; b:o  
 %= k|t|glw ko6g tyf gful/s p88dg dGqfno ; b:o  
 ^= k|t|glw pBf|u lj efu ; b:o  
 &= k|t|glw g|fn /fi6«a\$ ; b:o  
 \*= k|t|glw g|fn pBf|u j fl0fHo dxf; 3 ; b:o  
 (= sfgg clwsf 3/|h' tyf ; fgf pBf|u lj efu ; b:o  
 != k|t|glw 3/|h' tyf ; fgf pBf|u dxf; 3, sf7df8f}f- ; b:o  
 !!= lgb}z s 3/|h' tyf ; fgf pBf|u lj efu ; b:o ; lrj

- pkoQm cg' f/sf] pk ; ldt u7g ubf{ dfly pNn|vt lhNnfx?df pk/fQm cg' f/sf]k|t|glw|j ug|sf0f|ox? ePdf dfq pk ; ldtsf]; b:odf ; dfj } ul/g]5 .
- pk ; ldt n]cfj Zos by}sf laifodf ; Dj lGwt lgsfosf lj z}f1 jf ; Dj lGwt lhNnfsf 3/|h' tyf ; fgf pBf|u ; ldtsf sf0f|nosf k|vnf0{pk ; ldtsf] a7sdf koj ]fssf]?kdf efu lng cfdGq0f ug{; Sg]5 .
- pk ; ldtsf]a7s ; fdfG0tof sfo{f}emsf]cfwf/df dlxgfsf]Ps k6s j ; g] 5 .
- pk ; ldtsf]a7s ; Dj lGw sfo|j lw Psáf/ ; ldt n]lgwf{0f u/]cg' f/ xg}5 .
- pk ; ldtsf]; lrj nfosf]sfo{pk ; ldt u7g ePsf]lhNnfsf]3/|h' tyf ; fgf pBf|u sf0f|non] ug]5 . t/ sf7df8f}f-pk-; ldtsf]; lrj nfosf]sfo{3/|h' tyf ; fgf pBf|u lj efun]ug]5 .

- pk ; ldltn]u/\$f]; a)lg0f6sf]hfgsf/L pBf]u lj efu / 3/h' tyf ; fgf pBf]u lj efudf lgoldt ?kdf k7fpg' kg]5 .
- g]kfn pBf]u j fl0fHo dxf; 3 / 3/h' tyf ; fgf pBf]u dxf; 3af6 pk ; ldltdf kl|tlglwTj ug]j f/]pQm dxf; 3x?n]kl|tlglw tf\$g]sfd ug]5 .

u\_ pk ; ldltsf]er]n]s sfo{lf] xfnnf0{b}fo adf]hd xg]5 .

!=	emkf	d]l c~rnsf ; j }lhNnf
@=	df]u	; g; /l afx\$ sf]l c~rnsf ; a}lhNnf
#=	; g; /l	; g; /l lhNnf
\$=	; kt/L	l; /fxf lhNnf j fx\$ ; u/dfyf c~rnsf ; a}lhNnf
%=	l; /fxf	l; /fxf lhNnf
^=	wg]ff	wg]ff l; GwhL / /fk\$fk lhNnf
&=	dx]Q/L	dx]Q/L lhNnf
*=	; nf]l	; nf]l lhNnf
(=	/f]x6	/f]x6 lhNnf
!)=	k; f{	k; f{lhNnf
!!=	af/f	af/f lhNnf
!@=	dsjfgk/	dsjfgk/ lhNnf
!#=	lrtjg	lrtjg lhNnf
!\$=	sf7df8f]-	sf7df8f]nlntk/ eQmk/ gj fsf\$ wflbE / /; j f lhNnf
!%=	sfe]knfGrf\$	sfe]knfGrf\$ l; Gwk]Nrf\$ / bf]hvf lhNnf
!^=	sf:sl	u08sl / wj nflu/L c~rnsf ; a}lhNnf
!&=	gj nk/f; l	gj nk/f; l lhNnf
!*=	?kGb]l	?kGb]l lhNnf
!(=	slknj :t'	slknj :t' / cwf]vfrl lhNnf
@)=	kf]Nkf	kf]Nkf / uNdL lhNnf
@!=	bfE	/fk]l c~rnsf ; a}lhNnf
@@=	afs]	j lb6f j fx\$ e]l / s0ff]l c~rnsf ; a}lhNnf

@#=-	j lb6f	j lb6f lhNnf
@\$=-	s]hfnl	; ]l c-rnsf ; a}lhNnf
@%=-	sgrgk/	dxfsfnl c-rnsf ; a}lhNnf

:kli6s/0f M- sfo{lf] eGffn]pBf]usf]sf/vfgf ejg /x\$]:yfgnf0{hgfp]5 .

3\_ Psáf/ ;ldltsf]sfd st{fo / clwsf/ b}fo adf]hd xg5 .

-!\_ cfBf]us Joj ; fo P] cg' f/ 3/h' tyf ; fgf pBf]un]kfp]cfos/ 5b ; lj wf  
 -cf]o-P] @)\$( sf]bkrf !% -`\_ adf]hd / cf]o-P] @)#\* adf]hd dNo  
 clej [4sf]cfwf/df kfp]cfos/ 5b jfx\$ \_ pknJw u/fpg cfj Zos lg0f6  
 ug].

-@\_ pk ;ldltnf0{lg0f6df klg ck7df/f]eP To:tf]laifodf pk ;ldltn]cfk]g]  
 /fo ; lxt dfu]z]gsf]nflu Psáf/ ;ldltdf k7fpg ; Sg]5 .

-#\_ pk ;ldltn]u/\$]lg0f6 ; Djlgwt lgsfon]sfof] og ug{kg]5 .

-a\_ cfos/ 5b dfu ug]sfof] lw

-!\_ sg}pBf]un]cfBf]us Joj ; fo P] adf]hd kfp]cfos/ 5b ; lj wf -kgn(fgl  
 jf lfdtf lj :tf/ jf lj lw]s/0f jkt / dNo clej [4sf]cfwf/df kfp]cfos/  
 5b jfx\$ \_ pknJw ug{ rfxdf ; Djlgwt lf]sf] Psáf/ pk ;ldltsf]  
 ;lrjnfodf cfj ]g ug{ ; Sg]5 .

-@\_ pk bkrf! cg' f/sf]cfj ]g lbbf lgDg sfuhftx? ; ]lg ug{kg]5 .

-s\_ sDkgl btf{0}fht kq / pBf] btf{kdf0f kqsf]kdf]0ft kl]tInkl

-v\_ pBf] ; fngdf cfPsf]ldltdf kdf]0ft ; Ssn kq]

-u\_ xfn; Ddsf]pTkfbg÷k]lt lj j /0f

-3\_ n]yf kl/lf0f kl]t] ]g -l:y/ ; DklQsf]lj j /0f vNg]j f; nft ; lxt\_

-a\_ cfos/÷dNo clej [4 s/ btf{kdf0f kqsf]kdf]0ft kl]tInkl

-r\_ cfoft u/\$]d]zg/lx?sf]k]fkg kqsf]kdf]0ft kl]tInkl

-#\_ pk bkrf @ df pNn]vt sfuhftsf cltl/Qm pk ;ldltsf] ;lrjfnosf]cGo  
 cfj Zos sfuhft tyf lj j /0fx? ; d] pBf] ; dfu ug{ ; Sg]5 .

-r\_ 8d6l 8kofs / dNo clej [4sf]cfwf/df kfp]5b]f/]kl5 lj rf/ ug].

**!!=(=! 3/h' pBf]un]kfp] ; lj wf**

cfBfl]us Joj ; fo Pđ, @)\$ ( ] - ; zfvlg ; lxt\_ cg' f/ : yflkt ; a}k\$ f/sf 3/h' pBfl]unf0{cfos/, lj qms/ tyf cGtMzNs gnflg]ePsf]h]o; sf]nflu ljefun]cf} Jo= Pđ, @)\$ ( sf]bkrf \$ adf]hd 3/h' pBfl]usf]?kdf btf{ePsf]h] ; fxl Pđsf] bkrf !% -s\_ cg' f/sf] ; ljwf kfpg]pBfl]u xf]elg kdfloft ul/ cftl/s /fhZj sfoffodf l; kmfl/z ug]u/L Psáf/ ; ldltn]ljefunf0{clwsf/ k]ofof]hg u/\$f]h] To:tf pBfl]usf]nflu cg'; ĩL @% adf]hdsf]lj j /0fx? :ki6 pNny u/L ; DalGwt sfoffox? sf7df8f} nlnk', eQmk', gjfsfđ, wflbđ / /; jfn]ljefudf k7fpg' kgđ .

**!!=( @ ; fgf pBfl]n]kfpg] ; ljwf**

cfos/, lj qms/, cGtMzNs, eG; f/ ; DalGwl sfgđx? Pj +křInt sfgđdf hg; s} s/f n]vPsf]eP tfklg cfBfl]us Joj ; fo Pđ, @)\$ ( nfu' ePkI5 :yflkt ePsf - ; ljwf gkfpg]elg tfl]sPsf afx\$sf\_ ; fgf pBfl]ux?n]Pđsf]bkrf !% df pNny eP adf]hdsf]cfos/, lj qms/, cGtMzNs / eG; f/ ; ljwf kfpg]xBf To:tf] ; ljwf tyf ; xInto pknAw u/fpg l; kmfl/zsf] nflu cfjZos kg] cg'; ĩL @% adf]hdsf] lj j /0fx? :ki6 pNny u/L ; DalGwt sfoffox?n]ljefudf k7fpg' kgđ .

**!!=) Pđdf klxnf] ; zfvlg cWfbžn]u/\$f]Joa:yf**

cfBfl]us Joa; fo Pđ, @)\$ ( df cfBfl]us Joa; fo -klxnf] ; zfvlg\_ cWfbž @)%\$ n]-gkfn /fhkq v08 \$&, cItl/Qmř !@, ldltn )%\$.@.&.@ df k\$flzt\_ cf} Jo= Pđ, @)\$ ( sf]klxnf] ; zfvlg cWfbž cg' f/ dh Pđsf]bkrf !% / !^ df bxf]o adf]hd ; zfvlg u/L Pđsf]bkrf \$ df cf]Jo= Pđ -dh Pđ\_ @)\$ ( sf]cg'; ĩL ! df pNn]vt pBfl]ux; sf cItl/Qm ær/fđ, laI8, l; uf/, vfg] ; It{vđl / ; tL{dVo sRrf kbfy{xb]o:t}cGo j:t' pTkfbg ug]pBfl]u afx\$ ž= @ nfv ; Dd h]yf -3/ hluf afx\$\_ ePsf]pTkfbgdhs pBfl]ux; klg 3/h' pBfl]usf]j udf ; dfj ž ul/Psf]5 eg]dh Pđsf]bkrf !% / !^ -bkrf !!=@ ; ũ ; Djlgwt\_ df bxf]o adf]h ; zfvlg ul/Psf]5 .

!= dh Pđsf]bkrf !% sf]v08 -v\_ l'lsPsf]5 .

@= dh Pđsf]bkrf !% sf]v08 -u\_, -3\_, -a\_ / -r\_ sf] ; \$f bxf]osf]v08 -u\_, -3\_, -a\_ / -r\_ /flvPsf 5g\

æ-u\_ Pđsf] cg'; ĩL \$ df pNn]vt /fli60 kfyldstf křt pBfl]uaf6 cflhř cfodf krf; křtzt cfos/ 5đ lb0g]5 .

-3\_ r/fđ, laI8, l; uf/ vfg] ; It{dVo sRrf kbfy{xb]o:t}k\$ f/sf cGo j:t' pTkfbg ug]pBfl]u, dlb/f jf lj o/ pTkfbg ug]pBfl]u ; Mdn jf sTyf pBfl]u jfx\$ cf^gf]pTkfbgdf c; l jf ; f]ečbf a9L křtzt :j bžl sRrf kbfy{křfl]

xg]/ ; a}hgziQm gkfnl gful/saf6 cfkl't{ugI pBfU nf0{nflg] cfos/df  
bz kl'tztsf b/n]cfos/ 5b lb0g5 .

-a\_ r/f] laB, l; uf/, vfg]; l't{ vgl / ; l't{dVo sRrf kbfi{xg]o:t}k\$fi/sf  
c6o j:t' pTkfbg ugI pBfU, dlb/f jf ljo/ pTkfbg ugI pBfU jfx\$ c6o  
pBfUaf6 cfihf cfodf al; kl'tzt e6bf a9l cfos/ nuf0g]5g .

-r\_ r/f], laB, l; uf/, vfg]; l't{ vgl / ; l't{dVo sRrf kbfi{xg]o:t}k\$fi/sf  
c6o j:t' pTkfbg ugI pBfU, dlb/f jf ljo/ pTkfbg ugI pBfU jfx\$ P9sf]  
cg'; rL # df pNny ePsf clt cljst; t, cljst; t, cNkljst; t tyf  
; fdf6o ljsl; t lfx;df :yflkt pBfUx;nf0{nflg] cfos/df qmdzM tl; ,  
kRrl; , al; / bz kl'tzt tyf c6tzNsd f qmdzM kl't; , kRrl; , k6w«/ bz  
kl'tzt 5b lb0g5 .Æ

b6Jo M v08 -u\_ adf]hd ; rL cg'; rL @^ df pNny ul/Psf]5 .

#= dh P9sf]bkrf !% sf]v08 -´\_ / -8\_ l´lsPsf 5g\

\$= dh P9sf]bkrf !% sf]v08 -b\_ , -km\_ , -e\_ / -d\_ sf]; \$f bxfosf v08 -b\_ ,  
-km\_ , -e\_ /-d\_ /flvPsf 5g\

æ\_b\_ sg}pBfUn]5 ; o jf ; f]e6bf a9l gkfnl gful/snf0{kIolf /fhuf/L lbPdf  
To:tf] pBfUnf0{c6o ; ljwfsf cltI/Qm bz kl'tztsf b/n]yk cfos/ 5b  
lb0g5 .

-km\_ sg}pBfUn] cf^gf] pTkfbg lgofk kj46 uxdf lj qml u/df To:tf] lj qml  
ul/Psf]j :t' pTkfbg ug{cfoft ul/Psf]sRrf kbfi{df nfu\$fi]e6; f/ dxzh  
tyf lj qml s/ / tof/L j:tdf nfu\$fi]lj qml s/ tyf c6tzNs lj qml u/\$fi]  
kl/df0fsf]cfwf/df ; Dj l6wt pBfUnf0{lkmtf{lb0g5 .

:kli6s/Of M o; v08sf] k6fhgsf] nflu ælgofk kj46 uxA e6gn] gkfn  
clw/fho leq :yflkt pBfUst pTkfbgx; ; sng u/L ljbz lgofk ugI p2]on]  
tf]sP adf]hd :yflkt sDkgl, km{jf ; xsf/L ; :yf ; D´g'k5{.

-e\_ lgofk xg]cfBfi]us j:tdf k6fi] ul/g]dfMlds j:t' -066/ldl8o6 u8\\_  
pTkfbg ugI pBfUn] pTkfbg ; fdukdf It/\$fi] e6; f/ dxzh, lj qmls/  
c6tzNs tyf lklodod / pTkfbgdf It/\$fi]lj qml s/ / c6tzNs lgofk ePsf]  
kl/df0fsf]cfwf/df lj qml u/\$fi]; f7L lbgleq ; Dj l6wt dfMlds j:t' pTkfbg  
ugI pBfUnf0{lkmtf{lb0g5 .

t/ To:tf]/sd lkmtf{kfpq lgofk u/\$fi]Ps jif{leq b/vf:t glbPdf lkmtf{  
lb0g]5g .

-d\_ lgofk kj46 pBfUn] k6fi] ugI dlzg, cfhf/, pks/Of, o6q Pj+sRrf  
kbfi{df / pTkfbgdf sg}s/, zNs jf b:t' nflg]5g .

t/ To:tf pBf]usf] pTkfbg sg} sf/0faf6 :jbzdf lj qml ug{df lj qml  
ul/Psf]kl/df0fsf]cfwf/df s/, zNs jf b:t/ a' fpg' kg5 .Æ

%= dh P]sf] bkmf !% sf]v08 -d\_ kl5 bxfosf v08 -o\_ -/\_ / -n\_ ylkPsf  
5g\

æo\_ sg}pBf]un]dhub/ tyf sd{f/l]sf]cfj; , hljg jldf, :jf:Yo ; lj wf, lzlf,  
tflnd nufotsf bl3\$flng lxtsf nflu u/{f]vr\$]/sd cfos/ k]fhgsf  
nflu sl\$ ug{kfpg5 .

-/\_ cfBf]us dl]zg/L pTkfbg jf cGo sg}j:t' pTkfbgsf nflu cfjZos kgI  
sRrf kb]y{/ ; xfos sRrf kb]y{cfoft ubf{nflg]eG; f/ b/ To:tf]sRrf  
kb]y{k]f]u u/L pTkfbg ul/g]cfBf]us dl]zg/L jf tof/L j:t' cfoft ubf{  
nflg]eG; f/ b/ eGbf a9l xg]5g .

-n\_ dflblds j:t' -0G6/ldl8o6 u8\ pTkfbg ug{pBf]un]cf^gf]pTkfbg csfI  
dh j:t' pTkfbg ug{pBf]unf0{lj qml u/df To:tf]j:t'sf]pTkfbgdf nflg]  
lj qml s/ / cGtzNs clen]df /fvl dh j:t' pTkfbg ug{pBf]un]k]f]u  
u/{f]cfwf/df nflg]s/sf]lx; fa ldnfg ug{kfpg]5 . .

t/ To:tf]dh j:t' pTkfbg ug{pBf]u lj qmls/ jf cGtzNs k]fhgsf]nflu  
btf{ePsf]xgkg5 .Æ

^= dh P]sf] bkmf !^ v08 -u\_ sf] z?df ægoft kj4g pBf]uÆ eGg] zJbx;  
ylkPsf 5g\

&= dh P]sf]bkmf !^ sf]v08 -^\_ l'lsPsf]5 .

### !!=!! P] df klxnf]; z]vgn]u/{f]Jo]y:f

cfBf]us Joj ; fo P] , @)\$ ( df cfBf]us Joj ; fo P] -klxnf]; z]vgn\_ @)\$ n]-  
g]kn /fhkq v08 \$&, cltl/QmÍ @#, ldt )%\$.%.^ df k\$flzt\_ cf} Jo= P],  
@)\$ ( sf]klxnf]; z]vgn kZrft b]fo adf]hdsf]; ljwf tyf ; xlnot kfpg]u/L  
dh P]sf]bkmf !% / !^ df b]fo adf]hd ; z]vgn u/L P]sf]bkmf \$ df cf} Jo= P]  
-dh P]\_ @)\$ ( sf]cg; Fl ! df pNn]vt pBf]ux?sf cltl/Qm ær/f], lj 8l, l; uf/  
vfg]; 'l{ vgl / ; 'l{dVo sRrf kb]y{xg]o:t}cGo j:t' pTkfbg ug{pBf]u afx\$  
?= @ nfv ; Dd l:y/ h]yf ePsf s6l/ pBf]ux? klg 3/h' pBf]usf]j udf ; dfj z  
ul/Psf]5 eg]dh P]sf]bkmf !% / !^ -bkmf !!=@ / !!=!) ; u ; DalGwt\_ df b]fo  
adf]hd ; z]vgn ul/Psf]5

!= dh P]sf]bkmf !% sf]v08 -v\_ lemlsPsf]5 .

@= dh P]sf]bkmf !% sf]v08 -u\_, -3\_, -^\_ / -r\_ sf]; \$f b]fosf]v08 -u\_, -3\_, -  
^\_ / -r\_ /flvPsf 5g\

æ-u\_ r/f, lj 8L, l; uf/, vfg]; 'tl{ vgl / ; 'tl{ dVo sRrf kbfiy{ xg] o:t} ksf/sf cGo j:t' pTkfbg ugI pBfU, dlb/f jf ljo/ pTkfbg ugI pBfU afx\$ cGo pBfUaf6 cflh¢ cfodf al; kl'tzt eGb f a9L cfos/ nuf0g] 5g .

-3\_ r/f, lj 8L, l; uf/, vfg]; 'tl{ vgl / ; 'tl{ dVo sRrf kbfiy{ xg] o:t} ksf/sf cGo j:t' pTkfbg ugI pBfU, dlb/f jf ljo/ pTkfbg ugI pBfU, ; Mln jf sIyf pBfU afx\$ cf^gf] pTkfbgdf c; l jf ; f] eGb f a9L kl'tzt :j bzl sRrf kbfiy{ kofU xg]/ ; a} hgziOm gkfnl gful/saf6 cfkl't{ ugI pBfUanf0{nflg] cfos/df bz kl'tztsf b/n] cfos/ 5b lb0g] 5 .

-a\_ cg; 'L-\$ df pNn]vt /fli60 klydstf kkt pBfUx; dlb]; 8s, kh, 6gh, /fkj] ^nf0E lak, 6ala; tyf 6kd lgdf f u/L ; ~rfng ugI pBfUanf0{ ; ~rfng ldltn] bz j if{ Dd / ; flx cg; 'ldf pNn]vt cGo pBfUx; nf0{ ; ~rfng ldltn] ; ft j if{ Dd To:tf] pBfUaf6 cflh¢ cfodf nflg] cfos/df krf; kl'tzt cfos/ 5b lb0g] 5 .

-r\_ r/f, lj 8L, l; uf/, vfg]; 'tl{ vgl / ; 'tl{ dVo sRrf kbfiy{ xg] o:t} ksf/sf cGo j:t' pTkfbg ugI pBfU, dlb/f jf ljo/ pTkfbg ugI pBfU afx\$ cg; 'L # df pNn]v ePsf clt clj sl; t, clj sl; t tyf cNklj sl; t lf?df :yflkt pBfUx?nf0{nflg] cfos/df ; ~rfng ldltn] bz j if{ Dd qmdzM tl; , kRrl; / al; kl'tzt tyf cgtMzNsd f qmdzM k; , kRrl; / kGw|kl'tzt 5b lb0g] 5 .A

#= dh Pgsf] bkmf !% sf] v08 -em / -8\_ lemsPsf 5g\

\$= dh Pgsf] bkmf !% sf] v08 -b\_ , -km\_ , -e\_ / -d\_ sf]; \$f bxfosf v08 -b\_ , -km\_ , -e\_ / -d\_ / flvPsf 5g\#

æ-b\_ sg] pBfUan] sg} j if{ 5 ; o jf ; f] eGb f a9L gkfnl gful/snf0{ j if{ e/L kl'olf / fhuf/L lbPdf To:tf] pBfUanf0{ ; f] j if{ cGo ; lj wsf clt l/Om bz kl'tztsf b/n] yk cfos/ 5b lb0g] 5 .

-km\_ sg] pBfUan] cf^gf] pTkfbg lgof¢ kj 46 uxdf lj qm u/df To:tf] lj qm ul/Psf] j:t' pTkfbg ug{ cfoft ul/Psf] sRrf kbfiy{ df nfu\$] eG; f/ dxzh tyf lj qm s/ / tof/L j:t'df nfu\$] laqms/ tyf cgtMzNs ; f] j:t' laqms u/L lgof¢ ; d] u/\$] kl/df0fsf] cfwf/df ; DalGwt pBfUanf0{ lkmtf{ lb0g] 5 .

:ki6ls/of Mo; v08sf] kofhgsf] nflu algof¢ kj 46 u[A eGfn] gkfn clw/fholeq :yflkt pBfUaf6 pTkfbg? ; sng u/L ljbz lgof¢ ugI p2on] tfl] SP adfl]hd :yflkt sDkgl, kmd{jf ; xsf/L ; :yf ; Demg' k5{.

-e\_ lgof¢ xg] cfBfUus j:t'df kofU ul/g] dflwlds j:t' -066/ldl8o6 u8\_\ pTkfbg ugI pBfUan] pTkfbg ; fduldf It/\$] eG; f/ dxzh, laqms/,

cGtMzNs tyf lkldod / pTkfbgdf It/\$f] laqnl / / cGtMzNs lgoff  
ePsf]kl/df0fsf]cfwf/df laqnl u/\$f]; f7l lbgleq ; DalGwt dflblds j:t'  
pTkfbg ugI pBf]unf0{lkmtf{lb0g}5 .

t/ To:tf]/sd lkmtf{kfpg lgoff u/\$f]Ps j if{leq b/vf:t glbPdf lkmtf{  
lb0g}5 .

-d\_ lgoff kj 4g pBf]un] kof] ugI dlzg, cfhf/, pks/Of, oGq Pj +sRrf  
kbfydf / pTkfbgdf sg} s/, zNs jf b:t' nflg}5 .

t/ o:tf pBf]usf] pTkfbg sg} sf/Ofaf6 :j b}df laqnl ug{k/df laqnl  
ul/Psf]kl/df0fsf]cfwf/df s/, zNs jf b:t' aemfpg' kg} .

%= dh Pgsf]bkrf !% sf]v08 -d\_ kl5 b}fosf v08 -o\_ -/\_ / -n\_ ylkPsf 5g\  
æ-o\_ sg} pBf]un] dnb/ tyf sd{f/l sf] cfjf; , hljg aldf, :jf:Yo ; ljwf,  
lzlf, tflnd nufotsf bl3sfng lxtsf nflu u/\$f]vr{f]/sd cfos/  
kof]hgsf nflu s}l ug{kfpg} .

-/\_ cfBf]us dlzg/l pTkfbg jf cfo sg} j:t' pTkfbgsf nflu cfjZos kgI  
gkfnf pTkfbg gxg]dVo sRrf kbfy{cfoft ubf{nflg]eG; f/ b/ To:tf]  
sRrf kbfy{kof] u/l pTkfbg ul/g]cfBf]us dlzg/l jf tof/l j:t' cfoft  
ubf{nflg]eG; f/ b/ eGbf a9l xg}5 .

-n\_ dflblds j:t' -0G6/ldl8o6 u8\ pTkfbg ugI pBf]un]cf^gf]pTkfbg csf]  
dh j:t' pTkfbg ugI pBf]unf0{laqnl u/df To:tf]j:t'sf]pTkfbgdf nflg]  
laqnl s/ / cGtMzNs dh j:t' pTkfbg ugI pBf]un]kof] u/\$f]cfwf/df  
nflg]s/sf]lx; fa ldnfg ug{kfpg} .

t/ To:tf]dh j:t' pTkfbg ugI pBf]un] laqnl s/ jf cGtMzNs kof]hgsf]  
nflu btfePsf]xg' kg} .

^= dh Pgsf]bkrf !^ sf]v08 -u\_ sf]z?df ælgoff kj 4g pBf]un] eGg]zAbx?  
ylkPsf 5g\  
&= dh Pgsf]bkrf !^ sf]v08 -a\_ lemsPsf]5 .

\*= cfos/ Pgsf]@)%\* n]u/\$f]JoJ :yf

s\_ cf]Jo=Pgsf]@)\$ ( sf]bkrf !% sf]v08 -u\_ -3\_ -a\_ -` -7\_ - t\_ -y\_ -  
-b\_ -w\_ lemsPsf]5 .

v\_ v08 -r\_ df /x\$ f æcfos/df ; fng ldltn]!) j if{Dd qmdzM #),  
@% / @) kltztÆ eGg]zJb lemsPsf]5 .

**!!=!@ ; ljwfsf]k]ofelt**

cf} Jo= Pq, @)\$ ( nfu' ePkI5 ; f]Pq cfpq' cl3 btf{jf :yfkqf ePsf t/ ; ljwf pkefu ul/ g; s\$ f pBfusf] xsdf s]s:tf] ; ljwf kfpq] eG] ; DaGwdf cf} Jo= Pq, @)\$ ( sf]bkrf @) sf]pkbkrf -!\_ / -@\_ df bxf0 adf]hdsf]Joq:yf u/\$f]df pQm Pqdf ldlit )%\$.@.& df ePsf] klxnf] ; zfvqaf6 bxfosf]pkbkrf -#\_ yk ePsf]5 .

!= cfBfus Joq ; fo Pq, @)#\* cGtu\$ cgdlt kkt u/L jf btf{u/L ; #fng ePsf] pBfun] cj lw lsl6Psf ; ljwf tyf ; xlnotsf ; DaGwdf ; fxl Pq adf]hd / cj lw glsl6Psf] ; ljwf tyf ; xlnotsf xsdf o; Pq adf]hd kfpq] 5 .

@= of]Pq kf/De xg' cl3 btf{e0{jf cgdlt kkt u/\$f]t/ of]Pq kf/De eP kl5 dfq Jofkf/s pTkfbg z? u/\$f]pBfun]o; Pq adf]hdsf] ; ljwf kfpq]5 .  
t/ To:tf]pBfu btf{jf cgdlt kpfbsf avt sfod /x\$]cfBfus Joq ; fo Pq adf]hd kfpq]cj lw lsl6Psf] ; ljwf tyf ; xlnot o; Pqn]kbfq u/\$f] ; ljwf tyf ; xlnot eGbf a9L cj lwsf]ePdf jf o; Pq adf]hd gkfpq]ePdf tIsfn kInt cfBfus Joq ; fo Pq adf]hd kfpq afw kgI5q .

#= of]pkbkrf kf/De xg' cl3 btf{ePsf]jf cgdlt kkt u/\$f]pBfun]btf{xbf jf cgdlt kkt ubf\$]cj:yfdf sfgq adf]hd kfpq] ; ljwf tyf ; xlnot kfpq] 5 .

### **!!=@! 3/h' tyf ; fgf pBfu kdfloft ugI**

gkfn ef/t Jofkf/ ; enf}f @))! sf]bkrf % (Article V Paragraph 3) cg' f/ ; fgf pBfu kdfloft ubf{cg' rL #! df pNny ePsf] ljj/Of e/L ; fxl cg' f/ sfuhft kz ug{kgI5 .

### **!!=# lj bzL hgziQmsf]nflu le; f ; ljwf**

Pqsf]bkrf @@ cg' f/ pBfunf0{cfj Zos kgIhgziQm gkfnl gful/saf6}kl't{ug{ kgIJoq:yf u/\$f]eP tfklg sg}pBfu lj bzL hgziQm ljgf ; ~rfng xg g; Sg] tyf To:tf]JolQm gkfn leq pknAw xg g; Sg]kl]j lws ePdf >d ljeusf]kj { :jls[t ln0{z?df a9Ldf % j if{-csfI% j if{yk ug{ ; lsg] sf]nflu lj bzL gful/s lgoQm ug{ ; lsg\$ . o; /l sg}pBfudf sfo{t kl/jTo{lj bzL dbf k'ngdf /x\$]f] bzsf]lj bzL gful/sn}kkt u/\$f]tna, eQf, dxgtfgf cflb /sdsf]a9Ldf krxQ/ kltzt; Dd kl/jTo{lj bzL dbf]df lkmtf{n}hfg kfpq]5 . pkoQm adf]hd 3/h' tyf ; fgf pBfusf]nflu cfj Zos kgIlj bzL gful/snf0{cfj Zos kgIel; f l; knf/zsf] lgldQ ; Dalwt pBfuaf/f ljeusf] ; ljwf zfvdf lgDgfg' f/sf] ljj/Of pknAw u/fpg' kg\$ .

!= pBfusf]nflu gkfnl sdbf/ pknAw xg g; Sgfsf]:ki6 sf/Of .

@= pBfudf lj bzL lj zif1n]ug{kgI{sdfs}]ljj/Of .

#= lj bzL lj zif1sf]of]otf / cgej .

\$= pBfu / lj bzL lj zif1 alr ePsf]; Demf}f kq .

# ljljw

## !@ pTkfbg ldlit, kplt ljj/0f / pBf] lg/Llf0f

pBf] btf{x5df ; #fng ePsf]dfcg gldNg]ePsf]pBf]usf]z? pTkfbg ldlit, kplt ljj/0f / pBf]usf]lg/Llf0f ; DaGwdf b}fo adf]hd ug{kg5 .

## !@! k/Llf0f pTkfbg / Jofkl/s pTkfbg

cf} Jo= P}sf]bkrf !% -v\_ cg' f/ Jofkl/s pTkfbg z? u/\$f]ldltaf6 cfos/ ; ljwf pknAw u/fpg]Jo: yf ePsf]pBf]usf] ; ~rfng ldlit sfod ubf{k/Llf0f pTkfbg ldlit / Jofkl/s pTkfbg ldlit km/s ePdf : yflkt dlzg cf}f/ k/Llf0f u/L Jofkl/s pTkfbg ; d} z? u/\$f]cj: yfnf0{Jofkl/s pTkfbg ePsf]dfcg ; f}l ldltnf0{g} ; ~rfng ldlit sfod ug{kg5 . t/ z?df dlzgx?af6 k/Llf0f pTkfbg; dd u/L Jofkl/s pTkfbg gu/\$f]jf dl; g/Lnf0{k/Llf0f ubf{66k}6 xg u} sfo{agb ug{k/\$f]df Jofkl/s pTkfbg sfo{z? u/\$f]ldltnf0{ ; ~rfng ldlit sfod ug{kg5 .

## !@@ kplt ljj/0f

; DalGwt pBf]laf6 k}kt kplt ljj/0f ; DalGwt sfof}ox?n]; do ; dodf lj efudf k7fPsf]lj/0fsf]cfwf/df ; dli6ut tYofI lgsfNg ; lsg]x5f ; DalGwt pBf]n] P}sf]bkrf @# adf]hd ljj/0fx? lgoldt ?kdf k7fpg' kgI / sfof}on] b}fo adf]hdsf]kplt ljj/0f dfl; s, rf}fl; s tyf jflif\$ ?kdf k7fpg' kg5 .

!= cg'; 'l @@, @& / @\* adf]hd ljj/0f el/ lgoldt ?kdf lj efudf k7fpg' kgI 5 .

@= cf} Jo= P} adf]hdsf ; ljwf tyf ; xlnotx? k}kt ug{lgj }g lbg]pBdlx?n] pBf]usf]pTkfbg l: ylt af/]jflif\$ kplt ljj/0f lgoldt ?kdf k}z u/\$f]xg' kg5 .

## !@# pBf] lg/Llf0f

P} cg' f/ cgdlt lng' kgI pBf]usf]xsdf k}z u/\$f]sfo{of}hgfd pNn]vt cj lw leq / cGo pBf]usf]xsdf btf{ePsf]^ dlxgf leq pBf] ; ~rfng ug{kgIzt{ pNn]v xg]ePaf6 ; f]cj lw leq pBf] ; ~rfng u/L kplt ljj/0f cBf]lws ?kdf k}z ePsf]cj: yfdf cfos/ 56 l; kmf/z ug{k}of}hgsf]nflu cfj Zostf x}l pBf] lg/Llf0f ug{kg5 . t/ btf{ldlit / ; ~rfng ldlit lj r w} }c6t/ ePdf, pBf]usf] oyfy{cj: yf af/] c:ki6tf ePdf, pBf]n] k}of] u/\$f] klj lw af/] hfF ul/g' cfj Zos b}vPdf / cGo sg}pkoQm sf/0f ePdf jf cfos/ l; kmf/zsf] ; Gbedf cfj Zos ePdf cg'; 'l !\$ adf]hdsf]pBf] lg/Llf0f kmf/fddf pBf]usf]lg/Llf0f ubf{

b]vPsf lj j /0fx? / pBf]u btf{ubf{jf 0hfht lbaf tfl]sPsf zt{? kfngf u/] gu/\$f]s/f lg/Llf0fstf{h}:ki6 ?kdf vhfpg'kgf .

**!@ \$3/h' tyf ; fgf pBf]u nf0{lb0g} ; lj wf l ; kmf / ; k\$df**

Pg, lgod tyf cGo kfInt cfly\$ Pg sfgg adf]hd 3/h' tyf ; fgf pBf]u{x?n] kfp]g]dZlg/L tyf sRrf kb]y{df kfp]g]e#f/, lj qm]s/ tyf cGo 5b tyf cfos/ ; lj wfsf 5b kfp]g]e}to:tf pBf]u{x?nf0{ ; lj wf tyf ; xlnot pknAw u/fpg'kgf ePdf cg'; Fl @% adf]hdsf ; DaGwt lj j /0fx? clgj fo{?kdf ; mlg /flv lj efudf k7fpg'kgf .

**!@% r\$ lni6 ; mlg ug{kgf**

pBf]usf]cgdlit kb]fg ug] btf{ug]jf ; lj wf l ; kmf/z ug] ; DaGwl sf/j fx]s]lg0f6 ubf{cg'; Fl @( adf]hdsf]9fFdf tof/ kf/Psf]r\$ lni6 kmf0ndf ; mlg u/L /fVg nufpg'kgf .

**!# = kmd\$]vf/hl / b08 ; hfoM**

kf0e6 kmd{/lhi6zg Pg @)!\$, ; f]h]of/L kmd{/lhi6zg Pg @)@) / cfBf]us Joj ; fo Pg, @)\$ ( lj kl/t sfo{u/df b]xfo j df]hd vf/hl / b08 ; hfo ug{ ; lsg] 5 .

**!# =! kf0e6 kmd\$]vf/hl**

kf0e6 kmd{/lhi6zg Pg, @)!\$ sf] bknf &=v cg'; f/ b]xfos]cj :yfdf lj efuj f6 kf0e6 kmd{vf/h ug{ ; lsgf .

-s\_ pBf]u, Joj ; fo ; DjGwl kf0e6 kmd{h]tfl]sPsf]cj lw leq glj s/of gu/fPdf .

-v\_ kf0e6 kmd\$]wlg]dgf] ; j sf/of b; f0{cfkngf]kf0e6 kmd{vf/h ul/ kf0e6 elg lj efudf lgj hg lbPdf .

-u\_ kf0e6 kmd{/lhi6zg Pg, @)!\$ cGtu\$ /lhi68{ePsf]sg}kf0e6 kmd{ ; u lj efun]to:tf]kf0e6 kmd\$]lx; f]sf]lj j /0f dfu ubf{ ; DjGwt kf0e6 kmd{h] tfl]sPsf]cj lw leq ; f]lj j /0f kZ gu/df .

-3\_ pBf]u ; DjGwt kf0e6 kmd{h]sfo{ ; #fng ul/ lj efunf0{hfgsf/L lb0{jf glb0{ pBf]u jG6 u/df .

-8)\_ kf0e6 kmd{h]glj s/of ug]Dofb ; dft ePsf]ldltn]tfl]sPsf]cj lw leq glj s/of gu/fPdf jf glj s/of u/fP klg 0hfhtsf]zt{jdf]hd pBf]u :yfkf / ; #fng ug\$fhflu sf/vfgf lgdf0f d]zg/L cf]h/ jf pks/of v/Lb jf pBf]u ; #fngsf]hflu cfj Zos sfo{u/\$f]lnlvt kult lj j /0f lj efudf glbPdf .

- r\_ klf0e0 kmd{h}klf0e0 kmd{/lhi6zg P0, @)!\$ / ; f]cgtuf j gsf]lgodsflj kl/t xg]ul/ c6o sg}sfo{u/df .
- 5\_ cfBflus Joj ; fo P0, @)\$ ( jf bkrf @% jdf]hd s ; h]cgdlit lng'kgdf glnb} pBfl : yfkgf u/df jf cgdlit jf bt{f{kdf0f kqdf pNn]vt zt(? kfnfg gu/df .  
dfly pNn]vt v08 s, u, 3 8), r, / 5 jdf]hd ljefun]klf0e0 kmd{vf/h ug{c3L ; Dj lGwt klf0e0 kmd{f0{; knf0sf]; j b kZ ug]plrt cj ; / lbg'kg5 .

**!#=@ ; fe]bf/L kmd{f]vf/hl .**

- ; fe]bf/L kmd{/lhi6zg P0 @)@) sf]bkrf !! v= jdf]hd bxfosf]cj : yfdf ; f]P0 cgtuf bt{f{ePsf]; fe]bf/L kmd{vf/h ug{; lsg5 .
- s\_ tf]sPsf]cj lw leq glj s/of gu/fPdf .
- v\_ ; fe]bf/Lx?n]dgfl; j sf/of b; f0{kmd{vf/h ul/ kfp+elg lj efudf lgj hg lbPdf .
- u\_ ; fe]bf/L kmd{/lhi6zg P0, @)@) cgtuf bt{f{ePsf]sg}kmd{; u ljefun]to:tf] kmd{f]lx; fasf]lj j /of dfE ubf{; DalGwt kmd{h} tf]sPsf]cj lw leq ; f]lj j /of kZ gu/df .
- 3\_ pBfl ; Dj lGw ; fe]bf/L kmd{h}sfo{; #fng ul/ ljefunf0{hfgsf/L lb0{jf, glb0{ pBfl j Gb u/df .
- 8)\_ pBfl ; Dj lGw ; fe]bf/L kmd{h}glj s/of ug]Dofb ; dft ePsf]ldltn]tf]sPsf]cj lw leq glj s/of gu/fPdf jf glj s/of u/fP/ klg Ohfhtsf]zt{cg'; f/ pBfl : yfkgf / ; #fng ug]sf]hflu sf/vfgf lgdf0f, dlzgf/ cf]hf/, pks/0fsf]v/lb jf pBfl ; #fngsf]hflu cfjZos sfo{u/\$f]lnlvt klut lj j /of lj efudf glbPdf .
- r\_ kmd{h}; fe]bf/L kmd{/lhi6zg P0, @)@) / ; f]P0 cgtuf j gsf]lgodsflj kl/t xg]ul/ c6o sg}sfd u/df jf .
- 5\_ cfBflus Joj ; fo P0, @)\$ ( sf]bkrf @% jdf]hd s ; h]cgdlit lng'kgdf gln0{ pBfl : yfkgf u/df jf cgdlit jf bt{f{kdf0f kqdf pNn]vt zt(? kfnfg gu/df .  
dfly pNn]vt v08 s, u, 3, 8) / r jdf]hd ljefun]kmd{vf/h ug{cl3 ; Dj lGwt kmd{f0{; knf0sf]; j b kZ ug]plrt cj ; / lbg'kg5 .

**!\$= pBfl vf/hl tyf b08 ; hfo**

**!\$=! sDklg P0 cgtuf bt{f{ePsf]pBflsf]vf/hl .**

sDklg P0, @)%# cgtuf bt{f{xg]pBflsf]xsf sDklgsf]kZf; g ug]sfo{sDklg /lhi6k/sf]sfof{nosf]ePsf]xbf sDklgsf]vf/hl / lnSjl8} g ; Dj lGw ljefuj f6 gxg]/ sDklg bt{f{e}; s]kl5 sDklgsf]gfddf pBfl bt{f{xg]ePsf]h} sDklgsf]

gfddf cfBflus Joj ; fo Pq, @)\$ ( cg' f/ btf{ ePsf] pBflv ePsf]h] bxfosf] cj : ydf sDklgsf]gfddf btf{ePsf]pBflv vf/h ug{ ; lsg]5 .

-s\_ sDklgsf] tkmf6 dgfl ; j sf/of bzf0{cfkngf]pBflv vf/h ul/ kfp elg lj efudf lgj hg lbPdf .

-v\_ sg}sDklg ; u lj efun]To:tf]sDklgsf]lx ; fj sf]lj j /of dfu ubf{ ; Dj lGwt pBflun] tfl]sPsf]cj lw leq ; f]lj j /of kZ gu/df .

-u\_ To:tf]sDklgn]sfo{ ; fng ul/ lj efunf0{hfgsf/ lb0{j f glb0{pBflv j Gb u/df .

-3\_ cgdlt kq jf pBflv btf{kdf0f kqdf pNn]vt zt{kngf gu/df .

-8)\_ cfBflus Joj ; fo Pq, @)\$ ( sf]bkrf @% jdf]hd s ; h]cgdlt lng'kgdf gln0{ pBflv : yfkgf u/df jf cgdlt jf btf{kdf0f kqdf pNn]vt zt{? kngf gu/df .

-r\_ dfly pNn]v eP jdf]hd pBflv vf/h ug{cl3 ; Dj lGwt sDklgnf0{ ; krf0sf] ; j b kZ ug]plrt cj ; / lbg'kgf .

**!\$=@ klf0e7 knd{/ ; fe]bf/ knd{btf{ug{gkf0g}**

klf0e7 knd{/lhi6zg Pq, @)!\$ sf]bkrf & v= sf]pkbkrf #= / ; fe]bf/ knd{/lhi6zg Pq, @) sf]bkrf !! v= sf]pkbkrf # jdf]hd knd{vf/h ePsf]ldltn] Ps j if{ ; Dd knd{vf/h ePsf]knd{sf]wlgsf]jf ; fe]bf/sf]gfddf ; flx p27oj f6 csf]knd{btf{ul/g]5g .

**!%= knd{/ pBflv vf/hl k\$df**

!%=! klf0e7 knd{/lhi6zg Pq @)!\$, ; fe]bf/L Pq @)@) / cfBflus Joj ; fo Pq @)\$ ( cg' f/ btf{ePsf 3/h' tyf ; fgf pBflv? tfl]sP adf]hd gjls/of gu/fPdf -sDkgf Pq cgtuf btf{ePsf axf\$, ljefu jf ; DalGwt sfofhon]dfu u/\$f] lj j /of kZ gu/df, sg}s/f 9f6L pBflv btf{u/\$f]7xl/Pdf, cgdlt jf btf{sf]zt{? kngf gu/df / ; DalGwt ljefunf0{ hfgsf/L glb0{ pBflv aGb u/df To:tf] pBflvnf0{vf/h ug{ ; lsg]xbf vf/h ug{k} ; DalGwt JolQmf0{dgfl ; a dflkmssf] ; krf0{kZ ug]dfsf lb0 vf/h ; d: ug{af-5glo blvPdf ; DalGwt sfofhon] cfj Zos /fo / kl60f0 ; lxt vf/hl ; DaGwl lg0f0sf]nflu ljefudf n]v k7fpg' kgf . t/ nuftf/ kfF j if{ ; Dd pBflv glj s/of gu/fPsf pBflvsf]vf/hl ; DaGwdf o ; lbulzgsf]bkrf !)^=!=\$ df pNn]v eP cg' f/ ug{k\$g .

!%=@ klf0e7 knd{sf dflns jf ; fe]bf/n] dgfl ; a sf/of bzf0 cf^gf] knd{pBflv vf/h u/L kfpFelg lgj hg lbPdf ; DalGwt sfofhon]dgfl ; j sf/of ePdf cfj Zos k\$df k/f u/L To:tf]knd{pBflv vf/h ul/ ; f]sf]hfgsf/L ljefudf k7fpg' kgf . o ; k\$ / vf/h ubf{ ; fe]bf/L jf klf0e7 knd{sf]xsdf ; DalGwt pBflvlsf] ; gfv t u/fpgsf ; fy}cBflws ?kdf pBflv gjls/of ; d: u/fpg' kgf .

!%=# cgdlt lng' kgf gln0{pBfu :yfkf ugI cgdlt jf btf{kdf0f kqdf  
pNnlvt zt{x? kngf gugI emf ljj /of kZ ugI/ dfu ul/Psf]ljj /of kZ gugI  
pBfuX?nf0{kf0e6 knd{/lhi6Zg Pq, @)!\$ sf]bkrf \*, ;ferbf/L Pq, @) sf]  
bkrf \$! / Pqsf]bkrf @% cg' f/ b08 ; hfoFug{k/df cfjZos kl60f0{; lxt  
lg0f6sf]nflu lj efudf k7fpg' kgf .

!%=\$ s; h]cf]lo= Pq adf]hd cgdlt lng' kgf cgdlt gln0{pBfu :yfkf u/df  
jf cgdlt jf btf{kdf0fkqdf pNnlvt zt{x? kngf gu/df jf o; Pqsf]c? sg}  
s/f pNn3g u/df >l % sf]; /sf/n]b]fo adf]hdsf]; hfo ugf M-  
s= kfF nfv ?kdf; Dd hl/jfgf ugI  
v= pBfusf]btf{jf cgdlt vf/h ugI  
u= pBfu a6b u/fpg].

!%=\$! pkbkrf -!\_ c6tu{ sf/jxl ug{ cl3 ; f] lj ifodf ; Dj l6wt pBfunf0{  
:ki6ls/of kZ ug{jf cfknh]u/\$f]eh ; wf/ ugI dgfl; j dflkmsf]dfsf  
lb06f .

!%=\$@ pkbkrf -!\_ c6tu{ >l % sf]; /sf/n]u/\$f]lg0f6 pk/ lrQ gaemdf  
pBfun]to; sf]; r'gf kfPsf]k]t; lbgleq kg/fj dg cbfntdf kg/fj dg  
lbg ; Sgf .

**!^= 3/h' tyf ; fgf pBfu kZf; g ; Da6wl clwsf/ k]ofofhg**

Pq cg' f/ 3/h' tyf ; fgf pBfu kZf; g ; Da6wdf lj efuaf6 ul/g' kgI sfo{x? d]llo]  
lgDgfg' f/sf sfo{x? pQm Pqsf]bkrf !) sf] pkbkrf -\$\_ / ; f]xl Pqsf]bkrf ^  
adf]hd ; Da6wt sfoffox?af6 ; Dkfbg ugI ul/ lj efun] lgDgfg' f/sf] clwsf/  
k]ofofhg u/\$f]k]nt sfgg / k]ofof]nt clwsf/ leq /lx sfo{; Dkfbg ug{k}kgf .

!^=! cgdlt lng kgI tyf IEE jf EIA ug{gkgI3/h' tyf ; fgf pBfuX?sf]xsdf  
; dodf t]ls lbPsf] kFl l; df; Dd l:y/ kFl nufgl xg] pBfuX?sf] btf{  
gjls/of Pj +tI; Da6wl c6o sfo{x? -kFl Pj d\lfdtf a[4, gfd; f/L, 7fpFf/L  
cflb\_ ug{ ; Sgf . clwsf/ k]ofofhg ePsf]l:y/ kFlsf]l; df e6bf a9l l:y/  
kFl nufgl xg] pBfu btf\$] nflu l; kmf/z ; fy lj efusf] btf{ / 0hfht  
zfvdf k7fpg' kgf .

t/ jftfj/of ; Af0f lgodfj nl, @)%\$ sf]cg'; rL -!\_ / -@\_ adf]hd kf/IDes  
jftfj/0flo kl/lfof (IEE) jf jftfjlofo kefj dNoflg (EIA) u/fpg' kgI  
pBfuX?sf]btf{ugI; Da6wdf lj efusf]btf{/ 0hfht zfvdf k7fpg' kgf .

!^=@ cf]lo= Pq, @)\$ ( cg' f/ btf{ug{cl3 0hfht -cgdlt\_ lng' kgI/ jftfj/of  
; Af0f lgodfj nl, @)%\$ -kyd ; zfv]g, @)%%.!@\_ sf]cg'; lr ! / @ df  
pNnlvt ; fgf pBfu jfx\$ c6o pBfusf]xsdf kdv pBfu clwsf -3/h' tyf  
; fgf pBfu c6t/utsf sfoffox?\_ l:y/kFl -?= @,)),)),)))-\_ ?= b0{s/f\$

;Dd / cG0 lhNnfsf sfoffno kð\vn]l:y/ khl ?= Ps s/f\$ krf; nfv ?=  
!,%),),),),),),).- ;Dd l:y/ khl nuflg xg];fgf pBfũ btff{ gfd; f/L, ;f}l  
lhNnf leq 7fp+; f/L ug{kfpg]ul/ clwsf/ k[ofof]hg ul/Psf]5 . pOm l:y/  
khl eGbf j 9L l:y/ khl nuflg xg];fgf pBfũ btff{khl tyf lfdtf j [4 ug{  
k/df cfj Zos sfuhft ; lxt ljefusf]btff{/ 0hfht zfvdf k7fpg'kg5 .

!^=# bkrf !^=@ df pNn]vt l; df eGbf a9L l:y/ khl ePsf pBfũx?sf]btff{khl Pj +  
lfdtf a[4 / 7fpFf/L ; DaGwdf cfj Zos ; Dk0f{kf/IDes sfo{ul/ ljefudf  
k7fpg'kg5 .

t/ o:tf pBfũx?sf]glj s/of tyf gfd; f/L eg]lhNnf :t/af6}ug{k5 .

!^=\$ cgdlt lng'kg[3/h' tyf ;fgf pBfũx? dWb]lhNnf :t/af6}0hfht kðfg ug{  
ul/ clwsf/ k[ofof]hg e}s\$]afx\$ 3/h' tyf ;fgf pBfũx?sf]:yfkf,  
lj:t/ Pj d\j ljws/of ug\$]nflu To:tf pBfũx?sf]cgdltsf]nflu b/vf:t  
k/\$]# lbg leq tf]sPsf]9fFfdf cfj Zos ; a}lj j /0fx? ; ðlg /flv ljefusf]  
btff{/ 0hfht zfvdf k7fpg'kg5 .

!^=% 3/h' tyf ;fgf pBfũx?n]sfgg adf]hd kfpg];ljwf tyf ; xlnot pknAw  
u/fpg]; DaGwdf sf7df8f}pk-; ldltsf]xsdf ; Dj lGwt sfoffox; n]cfj Zos  
; a}lj j /0fx? ; lxt 3/h' pBfũsf]xsdf ljefusf];ljwf zfvdf -sf7df8f}  
eQmk/, nlnk/, gjfsf, wlb<sup>a</sup> / /; jf\_ cG0 sfoffox?sf]xsdf ; Dj lGwt  
Psáf/ pk ; ldltdf k7fpg'kg5 .

!^=^ pBfũsf]cgdlit, btff{ Pj +; ljwf l; knf/z cflb ; DaGwdf s[bllo :t/df  
ljefuáf/f cBj lws clen\ /Vgsf]nflu tf]sP adf]hdsf]9fFfdf lj j /0fx?  
lgoldt ?kdf pknAw u/fpg'kg5 .

!^=& k[ofof]ht clwsf/ adf]hd pBfũ kzf; g ; DaGwdf sfo{x? tf]sPsf]; do leq  
; Dkfbg u/fpg'kg5 . ; f]cg; f/ xg g; sdf ; DalGwt sfoffno kðv g]  
lhDd]f/ xg'kg5 .

!^=\* 3/h' tyf ;fgf pBfũ kzf; g ; DaGwdf sg}afwf c8rg cf0k/df ljefuaf6  
; do d}lgbzg ln0{dfq ; d:of ; dfwfg ug{k5 .

!\$=( cfBfũs kj4g af\$]n]; do ; dodf u/\$f lgofox; ; do ; dodf 5\$5\$]  
kl/kqáf/f hfgsf/L u/f0g] 5 / t; Dj Gwdf kl/kqdf pNn]y eP cg; f/  
sfoff]og ug{k5 .

cg, Flx?

jftfj/Of ; Af0f lgodfjnl-@)%\$

cg; 'L-!

-lgod # ; # ; djlgwt\_

kf/Dels jftfj l0fo kl/lf0f ug[kg{k|tfj x2

-c\_ jg lfq

!= t/f0(f % ) b]v !)) x\$6/; Dd / kxf8df @% b]v %) x\$6/; Ddsf] lfqkmdf Psn khftlsf :j bzl lj?j f Pp6}Jnsdf a[ff/fk0f ug].

@= ; djlgwt 7fp0f kl/lf0f e0{a[ff/fk0fsf]nflu pkoQm ePsf cfofltt khftlsf lj?j fx2 t/f0(f ! ) x\$6/ b]v %) x\$6/; Dd / kxf8df % x\$6/b]v @% x\$6/; Ddsf lfqkmdf Pp6}Jnsdf a[ff/fk0f ug].

#= t/f0(f @% b]v !)) x\$6/; Dd / kxf8df % b]v @% x\$6/; Dd lfqkmsf]jg sjlnotl jgsf]?kdf lbg]

\$= % x\$6/ lfqkm; Ddsf]/fli60 jg ; /k6 s6fg jf kg?tyfg ug].

%= jflif\$ % xhf/b]x %) xhf/ Sol]s lkr6; Dd sf7 k0fu ug]; Mdn :yfkf ug].

^= jflif\$ % b]v %) 6g; Ddsf]sf7 afx\$sf jgh6o pTkfbgsf]; sng ug].

&= /fli60 lgs'h, j6oh6t' cf/lf tyf ; Af0f lfq / jftfj/Of ; Af0f lfq :yfkf ug]jf lj :tf/ ug].

\*= s6fg ePsf]?vsf]h/f lgsflg] kft l`Sg]-?v 76f]xg]u/L, ?vdf ePsf] `0fp, ; gufefsf]lj p lgsflg] / ; fnsf]lj p ; sng ug].

(= hnfwf/ Joa:yfkf of]hgf th0f ug].

!)= jg lfq aflx/ ; fj h]gs jf lgh lfqdf goFjg:klt pBfg / lrl8ofvfgf lgd0f ug].

!!= ljle6g khftlsf cfofltt hunl hgj/x2 klt:yfkf ug].

!@= /fli60 lgs'h, j6oh6t' cf/lf, ; Af0f lfq / lrgsf]dWbjt{lq ; d]df Joa:yfkf of]hgf tof/ ug]jf To:tf]of]hgfn]lglb6 u/\$f]lj sf; lgd0f sf sfo{ug].

!#= ; fj h]gs j b0fg lfqdf h8a6l / ; ul6wt jg:kltsf]Jofa; flos pTkfbgsf]nflu h8al6 s]b«:yfkf ug]

!\$= kb]f0f gxg]h8al6 / ; ul6wt jg:kltsf]Jofa; flos ; sng jf cfBflus kzf]vg ug].

!%= % lS=d= ; Dd jgky / ! ) lS=d= e6bf nfd]clgl / yf lgd0f ug].

!^= jg lfqaf6 9uf, uke]h, afnjf ; sng ug]tyf sf0nf / c6o vlgh kb]f{lgsflg].

-cf\_ pBfu lfq

-s\_ !=Jnl]08E klqmaf6 dlb/f pTkfbg ug] tyf blgs % nfv ln6/; Dd lfdtf ePsf] pdfllg] / km]6zg ; lj wfoQm l8l:6n/L :yfkf ug].

@= blgs % nfv ln6/; Dd lfdtf ePsf]km]6zg ; lj wfoQm a0/L / jf0g]l :yfkf ug].

#= blgs !)) d36g; Dd pTkfbg lfdtf ePsf]Pl; 8, cNsfnl / kfylds /; fog pBfu]x2 :yfkf ug].

\$= blgs %)) j u[kr6; Dd 5fnf kzf]vg ug].

%= On\$6k]kn]6E tyf l0f]negf0lhE pBfu :yfkf ug].

^= sIsE, gT/n Uof l/lkmlnE, lkmlnE, pTkfbg lj t/Of ugI pBfU :yfkgr ugI.  
 &= 9uf qml; E pBfU :yfkgr ugI.  
 \*= /u /fUg pBfU :yfkgr ugI.  
 (= bUw kZfUg pBfU :yfkgr ugI.  
 != JnD8E, l/kf] ]; E j f l/SnfdZg klqmfaf6 nlj sD6; pTkfbg ugI pBfU :yfkgr ugI.  
 !!= knfD pTkfbg pBfU :yfkgr ugI.  
 !@= 8f0{j f j D ; h -Jofl6< pTkfbg ugI pBfU :yfkgr ugI.  
 !#= blgs #))) dZ6g; Dd vf8; f/l j f lrgl pTkfbg ugI pBfU :yfkgr ugI.  
 !\$= k/dk/fut 3/h' pBfU afx\$sf wuf]sk8f /uf0{5kf0{j f whf0{pBfU -un}f ; dZ\_ :yfkgr ugI.  
 !%= k/Dk/fut 3/h' pBfU afx\$sf blgs !)) dZ 6g; Dd pTkfbg lfdtf ePsf]kllk j f sfuh pBfU :yfkgr ugI.  
 !^= j flif\$ ! s/fB ufDf; Dd pTkfbg lfdtf ePsf]06f, 6fon cflb pBfU :yfkgr ugI.  
 !&= rg 9ufdf cfwl/t klT306f #) dZ6g; Dd j f lSnE/df cfwl/t klT306f %) dZ 6g; Dd pTkfbg lfdtf ePsf]l; dD6 pBfU :yfkgr ugI.  
 !\*= blgs %) dZ 6g; Dd rg pTkfbg pBfU :yfkgr ugI.  
 !(= cflflw pBfU :yfkgr ugI.  
 @)= slJdsn km6(f0h/ -JnD8E\_ tyf lS6gfzs kbry{-JnD8E\_ pTkfbg ugI pBfU :yfkgr ugI.  
 @!= knfli6s pBfU -v] uPsf]knfli6ssf]sRrf kbrydf cfwl/t\_ pBfU :yfkgr ugI.  
 @@= ; nf0{pBfU :yfkgr ugI.  
 @#= c6f]j sZk -@ kfuZj fx\$ \_ ; Dj lwl pBfU :yfkgr ugI.  
 @\$= sfDnfaf6 sf\$, lj sD cflb pTkfbg tyf kZfUg pBfU :yfkgr ugI.  
 -v\_ sh l:y/ kfl 2= !) nfv eGb a9l nufgl xg]bXfosf pbfUx2 :yfkgr ugI.  
 != knfli6s kf] ]; E -v] uPsf]kbry{kf] ] ugIafx\$ \_ .  
 @= 6fo/, 6D; / /a/ kZfUg tyf pTkfbg .  
 #= ; fj g, -l86/hD6, lSnlgT :oflk"; dZ\_ .  
 \$= knfDf]kf] ]; E .  
 %= knfp08k .  
 ^= r/f] lj l8, ; tL{ kfg d; nf pTkfbg .  
 &= kz'awzfnf .  
 \*= Unf; -sfr\_ .  
 (= vfB kZfUg .  
 != wftut -l/dD6E, l//flnE tyf kDj sZg ; dZ\_ .  
 !!= lj 6ldg tyf lj 6ldg 0dN; g .  
 !@= sfD8 :6f]h .

!#= wfuf]stf0{.  
 !\$= jg:klt 3d," tñ .  
 !%= hl8al6 kžfŵg .  
 !^= xf8, l; u / v/af6 lj leŵg j :t' pTkfbg .  
 !&= /fllhg 6kŵ6f0g, eŵgP/ tyf sŵyf .  
 !\*= df5fdf; 'kžfŵg .  
 !(= kofsŵhĒ kbŵy{pTkfbg .  
 @)= kzkHfsf]bfgf .  
 @!= dŵzg zk .

-0\_ vfgl lfŵ

-s\_ !)) hgf; Dd hg; Wof :yfol a; fāf; :yfgŵt/0f j f kbj f{ u/l vfgl pŵvgg ugŵ.

-v\_ vŵnf vfgl j f eldut vfglsf]xsdf M

!= ; fgf :t/sf wft' vŵhsf]pŵvgg ugŵ.

@= cfBflus kofhgsf]nflu jul\$[ ul/Psf] cfBflus vlgh dŵb]lsDdtl kŵy/, cw{lsDdtl kŵy/, caŵ e vlgh afx\$ cŵo ; fgf :t/sf cfBflus vlghsf]pŵvgg ugŵ.

#= ; fgf :t/sf cwft' vŵhsf]pŵvgg ugŵ.

\$= bŵgs %) bŵv !)) uŵd; Dd lfdtsf cfBflus lsDdtl, cw{lsDdtl kŵy/ tyf caŵ e vlghsf]pŵvgg ugŵ.

%= ; fgf :t/sf sfŵnf vfgl :yfkf ugŵ.

^= ; fgf :t/sf lgdfŵfdŵl vlgh kbŵy\$ŵf]pŵvgg ugŵ.

&= bŵgs %) bŵv !)) uŵd; Dd lfdtf ePsf]clt axdŵo, lsDdtl kŵy/, cw{lsDdtl kŵy/ vlghsf]pŵvgg ugŵ.

\*= clt ; fgf tyf ; fgf :t/sf kŵs[ts ŵoF, pTkfbg ugŵ.

-u\_ cŵo vfglsf]xsdf M

!= gbl ; txaf6 bŵgs !) bŵv %) 3g ld6/; Dd afn] f, uŵeñ -luvf{ df6f]lgsfŵg] .

@= kn] / j f 8ŵh<sup>a</sup> tŵ/sfaf6 bŵgs %) bŵv !)) uŵd; Dd axdŵo, lsDdtl, cw{lsDdtl kŵy/ vlgh lgsfŵg] sfđ ugŵ.

-0f ; 8s lfŵ

!= bŵfosf ; 8sxĶ lgdfŵf ugŵ

-s\_ lhŵnf ; 8sxĶ

-v\_ zx/l ; 8sxĶ

-u\_ uŵdŵf ; 8sxĶ

-3\_ ; fgf ; xfos ; 8sxĶ

@= ! bŵv % ls=đ= ; Ddsf]/Hhdfu{lgdfŵf ugŵ.

#= ! bŵv % ls=đ= ; Ddsf]s] h sf/ dfu{lgdfŵf ugŵ.

\$= kđv khx¿ lgdfđf ug].

%= ; ?ªx¿ agfpg].

^= /fli60 /fhdfu{tyf ; xfos ; 8sx¿sf]:t/a[4, kg:yfkgf tyf kgMlgdfđf ug].

-p\_ hn>f] / phf{lfđ

!= ## s]e= b]v ^^ s]e= lfdtf; Ddsf]lj Bt nfoG lgdfđf u/L lj t/of ug].

@= ! b]v ^ Pd=e-P= ; Ddsf]u]ldof lj Blts/of cfof]hgf ; #fng ug].

#= ! b]v % d]vaf6 ; Ddlfdtfsf]lj Bt p]kfbg cfof]hgf ; #fng ug].

\$= l; #f0sf]goFkđffnl cđtuđ M

-s\_ t/f0đf @% x\$6/b]v @ xhf/ x\$6/; Ddsf]lfđ l; #f0{ug].

-v\_ kxf8l pk]osdf !% b]v %) x\$6/; Ddsf]lfđ l; #f0{ug].

-u\_ kxf8l le/fnf]kfvf / kj {to lfđdf !} b]v @)) x\$6/; Ddsf]lfđ l; #f0{ug].

%= l; #f0đf]kg?Tyfg kđffnl cđt/ut M

-s\_ t/f0đf %) x\$6/ eđbf a9l lfđ l; #f0{ug].

-v\_ dx8l pk]osdf @)) x\$6/ eđbf a9l lfđ l; #f0{ug].

-u\_ kxf8l le/fnf]kfvf / kj {to lfđdf !}) x\$6/ eđbf a9l lfđ l; #f0{ug].

^= @% hgfb]v !)) hgf; Dd :yf0{a; f]af; ePsf]hg; Vof lj :yflkt ug]sg}klg hn>f] lj sf; sfo{.

&= t/f0đf afvaf6 af9l lgođqof ug].

\*= ! l=đ= eđbf a9l ndaf0đf]gbl lgođqof ug].

b]6Jo M yk l; #f0{ lfđ, goF dxfg, hnfzo k]đw jf kl/jltđ gx/ /yfsG ; lxtsf] sg}klg kg?Tyfg cfof]hgfno{gofkđffnl dflgg]5 .

-pm\_ kođg lfđ

!= %) zđfb]v !)) zđf; Ddsf]xfđn :yfkf / ; ~rfng ug].

@= lj Bdfg lj dfg:ynsf]lfđkm 3đg].

#= kođg kj 4đsf]nflu goF lfđ vf]g].

\$= df5f jf cđo hnr/ ePsf]sg}gblđf đf^đlª sfo{; ~rfng ug].

%= goFulkm sf] {tyf ; u]7t ?kdf ; ~rfng ul/g]hn lq]Bf ; ~rfng ug].

^= % xhf/ ld6/ eđbf a9lsf]prf0đf jflifđ !} xhf/ eđbf a9l kođg kj bđ ug].

&= kbofđf :yndf lg:sg]km]sf]lgisfzg tyf Joa:yfkg ug].

-P\_ vfg]kfgl

!= @)) x\$6/; Ddsf]lfđdf km]Psf]aiff]sf]kfgl ; sng ug]tyf ; flx lfđkmdf ePsf kfglsf >f]x¿ -:kl0ª jđn]8\_ sf]kđf]u ug].

@= ; km 0N8 ! Sol]s; Ddsf]; txl kfglsf]>f] / kfglsf]%) kl]tzt; Dd ; Vvf ; dodf ckl't{ug].

#= kl]t ; đ]08 !} b]v @% ln6/sf b/n]kfgl k]z]v]g ug].

\$= eđlut kfglsf]>f] lj sf; sf nflu sh PSokm/sf]%) kl]tzt; Dd l/rfh{ug].

%= ! lsnf]d6/; Ddsf]kfgl n]hfg]; ?<sup>a</sup> lgdf} ug].  
^= vfg]kfgl cfof]hgf ; ~rfng ug\$]nflu !)) hgf; Dd hg; Wof lj :yfkf ug].  
&= kfglsf]>f]sf]dfly]nfn]efudf %) ) hg; Wof; Ddsf]a; f]f; u/fpg].  
\*= b0{xhf/b]lv j l; xhf/; Dd hg; Wofnf0{vfg]kfgl cfkl't{ug].  
(= bz xhf/b]lv Ps nfv; Dd dflg; x;nf0{vfg]kfgl cfkl't{u/l goF>f] hf}g].  
!)= kfgl tf}g]jf k}f]vg ug]knf06sf nflu @) lsnf]d6/ e6bf a9lsf]lj B't nf0g h8fg ug] / ! d]fj f6 e6bf a9l lj B't zIQm pkof] ug].  
!!= ! lsd= e6bf a9lsf]l/e/ 6]gu+P08 8f0e/; g ; Dj Gwl sfd ug].

-P] knf}f] d]hf Joa:yfkg

!= b0{xhf/b]lv bz xhf/; Dd hg; Wofnf0{; jf k}fpg]p2]on]; ~rfng xg]knf}f] d]hf Joa:yfkg sfo{ug].  
@= 3/ Pj +cfj f; l}q;x;af6 lg:sg]knf}f] d]hfsf]; Dj Gwdf b}xfosf]sfd ug]M-  
s\_ j flif\$ !)) b]lv !)) 6g; Dd knf}f]d]hf hldgdf eg].  
v\_ # x\$6/; Ddsf]lf}qdf kn]nPsf]6&; km/ :6]g / l/; f] {l/sf}l Pl/of ; dj Gwl sfd .  
u\_ @ x\$6/; Ddsf]lf}qdf kn]nPsf] /; fog, oflqs jf h]j s t/lfaf6 knf}f] d]hf 5gf, s]hpg] tx nfp]g] kb]ll k}f] ug].  
3\_ ! b]lv % x\$6/; Dd lf}qdf kn]nPsf]sDkf]6 knf06 ; Dj Gwl sfd ug].  
a\_ 9n lgsf; cfof]hgf ; ~rfng ug].

-cf] s[if lf}q

!= kxf8df ! x\$6/; Dd / t/f0df % x\$6/; Dd /fli60 jg kn8fgl u/l s[ifsf]nflu k}f] ug].  
@= lgdf} ; Dj Gwl b}xfosf]sfd ug]M-  
S\_ - - - - -  
v\_ ! b]lv % lsnf]d6/; Ddsf]s[if ; 8s lgdf} ug].  
u\_ @)) b]lv %)) j 6f; Ddsf k}f hfl't kflngsf]nflu lgdf} sfo{ug].  
3\_ !)) b]lv %)) j 6f; Ddsf 6hf rf}kfofx; kflngsf]nflu lgdf} sfo{ug].  
a\_ !)) b]lv %)) j 6f; Ddsf ; fgf rf}kfofx; -e}f, jfv; kflngsf]nflu lgdf} ug].  
r\_ zx/l lf}qdf s[if yf\$ ahf/ :yfkf ug].  
#= lj iffbl ; Dj Gwl -; l'rt lj iffblx;sf]xsdf dfq\_ b}xfosf]sfdx; ug]M-  
s\_ ! b]lv !) 6g; Ddsf]lj iffbl cfof ug].  
v\_ !)) s}h= b]lv ! 6g; Ddsf]lj iffbl lj qm lj j /of, e08f/of tyf l8:kf]hn ug].  
u\_ !)) s}h= b]lv ! 6g; Ddsf]lj iffbl Ps}lf}qdf k}f] ug].  
\$= hf]vdk0f{lj iffblx; ldl>t k}l'ift kbfy; yf}sf]nufpg]vfnsf s[if h6o b}xfosf pBf]ux; :yfkf ug] M-  
s\_ b]gs @^ xhf/ ln6/; Dd lfdtfsf]b]w k}f]vg ug]pBf] .  
v\_ hfd h]hl, :Sj f; , h'; h:tf s[ifdf cfwfl/t pBf] .

u\_rlh pBfψ .

3\_ j ðl kñB pBfψ .

a\_ -----

r\_ -----

%= -----

^= ! x\$6/ e6bf a9L lfðdf Jofa; flos ?kdf dī:o kfng ugī.

-cf} Ps s/fð ?kðf]v bz s/fð ?kðF, Dd nfut nflg] sg}lj sf; sfo{ef]ts lqmfnsfk j f e"pkof]sf] kl/j tğ ug{sg}of]hg, cfof]hg j f sfoqmd ; ~rfng ugī.

cg! rL-@

jftfj /of ; Alf0f lgodfj nL-@)%\$

cg; 'L-@

-lgod # ; # ; dj l6wt\_

jftfj/Oflo kefj dNofI'g ugkgIk|tfj xz

-c\_ jg lfg

!= t/f0df ! x\$6/ e6bf a9L / kxf8df %) x\$6/ e6bf a9Lsf lfgkmdf Psn khfltsf :jbzl lj?jf Pp6} Jnsdf a[ff/fk0f ugI.

@= ; Dj l6wt 7fpdf k/Llfof e0{a[ff/fk0fsf]nflu pkoQm ePsf cfofltt khfltsf lj?jfxz t/f0df %) x\$6/ e6bf a9L / kxf8df @% x\$6/ e6bf a9L lfgkmdf a[ff/fk0f ugI.

#= t/f0df !)) x\$6/ e6bf a9L / kxf8df @% x\$6/ e6bf a9L lfgkmsf]jg sjlnotl jgsf]?kdf lbg].

\$= % x\$6/ lfgkmm e6bf a9L jg ; /k6 s6fg jf kg?Tyfg ugI.

%= j flif\$ %) xhf/ Sol' s lkn6 e6bf a9L sf7 kofu ugI; Mdn :yfkf ugI.

^= j flif\$ %) 6g e6bf dflysf]sf7 afx\$sf jgh6o ptkfbsf]; sng ugI.

&= jg Joa:yfkf oflhf tof/ u/L sfoffj og ugI.

\*= ; fj hlg s kn6fgl u/L Jofa; flos ptkfbsf]nflu goFhl8a6l s[bsf]:yfkf ugI.

(= sRrf kbfsf]nflu jgdf cfwf/t / kzfvg ljw kofu xg]jg lfgsf]! lsd= leq :yfkf ugI/flhg / 6d[6f0g, /j/, knf0p8 / e[lg/, sTyf / sf7df cfwf/t ; nf0{ knk / sfuh pBfu, bfp/f a9L vkt ugI cn}L / d[lo / 7hf lrof pBfu :yfkf ugI.

!)= knxrf tyf kblfof knfng] hl8a6 / ; ul6wt jg:ktlsf]Jofa; flos tyf cBflus kzfvg ugI.

!!= jg l; dfgsf]% lsd= lfg leq ; Mdn, 06f 6fon, ; l't{kzfvg ugI pBfu :yfkf ugI.

!@= jg lfg, /fli6 lgs'h, cf/lf, ; Aift lfg, d[lojt{lfg / jftfj/Of ; Aifof lfgdf l/; f[ xfn / ; knf/L tyf lzlfof ; ayf, c:ktfn / pBfu :yfkf jf c6o lgdff sfo{ugI.

-cf\_ pBfu lfg

!= blgs % nfv ln6/ e6bf a9L lfdtf ePsf]pdfng]tyf knd[6zg ; ljwfoQm l8l:6n/L :yfkf ugI.

@= blgs % nfv ln6/ e6bf a8l ptkfbg lfdtf ePsf]knd[6zg ; ljwf oQm a6/L tyf jf0g/L :yfkf ugI.

#= blgs !)) d3 6g e6bf a9L ptkfbg lfdtf ePsf]sf]fll; e, Pl; 8, cllsnl h:tf klylds /; fog ptkfbg - ; f0l6s, 6f/6l/s, P; l6s, Pl; 8 h:tf afx\$\_ ugI.

\$= blgs % xhf/ j u{lkn6 e6bf a9L 5fnf kzfvg ugI.

%= j N88) k\$df jfx\$]sdl sn kn6hf0h/, ls6gf; s kbfsf]ptkfbg ugI.

^= ?= % s/f3 e6bf a9L l:y/ kFl nufgl xg]vfgldf cfwf/t pBfu :yfkf ugI.

&= k[6]; folgs ptkfbg tyf kzfvg -l8hjh, dlstjh, nlj s[6; , knfli6s, l; 6yl6s, /j/ cflb .

\*= knj; tyf gg knj; -l/fjhE, l/dN6E / knlj s3zg jfx\$\_ kfl/Des :dN6E u/L wft' ptkfbg ugI.

(= blgs #))) d3 6g e6bf a9L vF8; f/L jf lrlg ptkfbg ugI pBfu :yfkf ugI.

!)= rg9ufdf cfwf/t klt306f #) d3 6g e6bf a9L ptkfbg lfdtf ePsf]jf lSnI/df cfwf/t klt306f %) d3 6g e6bf a9L ptkfbg lfdtf ePsf]l; d[6 pBfu :yfkf ugI.

!!= blgs %) d3 6g e6bf a9L ptkfbg lfdtf ePsf]rg pBfu :yfkf ugI.

!@= P:j ]6; pTkfbg ugI.

!#= /]8of]lj]s/0f lgisfzgx]6o"lSno/ / P6f]ds kzf]vg\_ pBf]u :yfkf ugI.

!\$= cf]flwsf]nflu kf/]Des sDkfp08 (Bulk drugs) pTkfbg ugI.

!% clt 3fts (Extremely hazardous) kbfy{h:t] cf0; f] f0gf06, d/s/l sDkfp08 cflb pTkfbg ugI.

!^=uf]hl u]f, j f?b nufotsf lj ikrf]s kbfy{pTkfbg ugI.

!&= blgs !)) d] 6g e6bf a9l pTkfbg lfdtf ePsf]kNk jf sfuh pBf]u :yfkf ugI.

!\*= j flif\$ ! s/f] u]f e6bf a9l pTkfbg lfdtf ePsf]06f 6fon pBf]u :yfkf ugI.

!(= xf8sf]/; folgs kzf]vg ugI.

-0{ vfgl lf]q

-s\_ vfgl p]vvg ug\$]nflu !)) hgf e6bf a9l hg; wof :yfol a; f]f; , :yfgf/0f jf kjj f{ ugI.

-v\_ d] j fp08k y]6 / ; ]6m j fp08k y]6 hf]df kgI; a}eldut sfo{ugI.

-u\_ v]nf vfgl j f eldut vgl]sf]xsdf M

!= d´ f]f / 7hf wft' vlgh kbfy{p]vvg ugI.

@= d´ f]f / 7hf cwft' vlgh kbfy{p]vvg ugI.

#= cf]fl]us k]f]hgsf]nflu aul\$[ ul/Psf]cf]fl]us vlgh d]w]l]sDdtl k]y/, cw{]sDdtl k]y/, cj] e vlgh afx\$ c6o d´ f]f tyf 7hf :t/sf cf]fl]us vlghsf]p]vvg ugI.

\$= d´ f]f tyf 7hf :t/sf sf]nf vfgl p]vvg ugI.

%= d´ f]f tyf 7hf :t/sf lgdf]fdvl vlgh p]vvg ugI.

^= blgs !)) u]d e6bf a9l pTkfbg lfdtfsf]clt axd]no, axd]no, ]sDdtl, cw{]sDdtl vlgh p]vvg ugI.

&= d´ f]f tyf 7hf k]s[ts ]oF, pTkfbg ugI.

\*= hg; s}:t/sf]/]8of]wdl{vlghsf]p]vvg ugI.

(= hg; s}:t/sf]cf:] 6; vlghsf]p]vvg ugI.

!)= hg; s}:t/sf]sRrf t]h p]vvg ugI.

!!= blgs !)) u]d e6bf a9l lfdtfsf]cf]fl]us ]sDdtl, cw{]sDdtl k]y/ tyf ca] e vlgh p]vvg ugI

-3\_ c6o vgl]sf]xsdf M

!= gbl gfnf ; txaf6 blgs %) 3g ld6/ e6bf a9l j fn]f, u]e]h -luf]{ / df6f]lgsf]lg].

@= ]n] / / 8]h<sup>a</sup> klj lwaf6 blgs !)) u]d e6bf a9l axd]no / cw{axd]no vlgh lgsf]lg]sfd ugI.

-0{ ; 8s lf]q

!= b]fosf ; 8sx] lgdf]f ugI]M

-s\_ /fli6] /fhdfu{

-v\_ k]v ; xfos ; 8sx]

@= % ]s=d= e6bf nfd] /Hhdfu{lgdf]f ugI.

#= % ]s=d= e6bf nfd]s]h sf/ dfu{lgdf]f ugI.

-p\_ hn>fj / phf{lfg

!= ^^ s#e= e6bf a9l lfdtfsf]lj B't kzf/0f nf0g lgdf0f u/l lj t/0f ugI.

@= ^ Pd#e-P= e6bf dflysf]u&d0f lj Blts/0f cfofhgf ; ~rfng ugI.

#= % d#fj f6 e6bf a9l lfdtfsf]lj B't ptkfbg cfofhgf ; ~rfng ugI.

\$= ! d#fj f6 e6bf a9lsf]l8hjh jf tfklo lj B't ptkfbg ugI.

%= l; #f0\$]goFk0ffnl cgt0t M

s\_ t/f00f @ xhf/ x\$6/ e6bf a9lsf]lfg l; #f0{ugI.

v\_ kxf8l pkIosfdf % ; o x\$6/ e6bf a9l lfg l; #f0{ugI.

u\_ kxf8l le/fnf]kfvf / kj [to lfgdf @ ; o x\$6/ e6bf a9l lfg l; #f0{ugI.

^= !)) hgf e6bf a9l :yfol a; f#f; ePsf hg; Wof lj :yflkt ugI}sg}klg hn>fj lj sf; sfo{ugI.

&= axp2olo hnfzosf]lgdf0f ugI.

\*= Pp0f hnfwf/ lfgaf6 csf]hnfww/ lfgdf kfgl kmsf0{-066/ all; g j f6/ 6&; km/\_ pkofu ugI.

-pm ko6g lfg

!= !)) ; #f e6bf a9lsf]lgdf0f :yfkf / ; ~rfng ugI.

@= goF lj dfg:ynsf]:yfkf / lj sf; ugI.

#= Pp6}gblfd j flif\$ @ xhf/ e6bf a9l JolQmaf6 0f^6LE u/fpg].

\$= ko6s tyf ltgsf]; xofu u/l Pp6}lfgdf j flif\$ @ xhf/ e6bf a9l kbofqsf nflu k7fpg].

%= pRr kxf8 lfgdf ; fxl; s ko6g Joa; fo kj 40 xg]sg}klg k]fwf/sf]lj sf; lgdf0f ugI.

^= tfndf :yfkf xg]xfg; af0 -t}g]3/\_ ; ~rfng ugI.

-P\_ vfgkfgl

!= @)) x\$6/ e6bf a9l lfgdf kmPsf]j iff0sf]kfgl ; sng ugI tyf ; flx lfgkmdf ePsf]kfglsf >f}x2 - :kl0^=:j0n08\_ sf]k0fu ugI.

@= ; km 0N8 ! So'j s lkm6 e6bf a9l ; txl kfglsf]>f} / ; f]kfglsf]>f}sf]; Dk0f{efu ; Vvf ; dodf ckl't{ ugI.

#= kl't ; \$08 @% ln6/ e6bf a9lsf b/n]kfgl kzf]wg ugI.

\$= edlut kfglsf]>f} lj sf; sf nflu sh Psokm/sf]%) kl'tzt e6bf a9l l/rfh{ugI.

%= ! lsnf]d6/ e6bf a9lsf]kfgl n}hgf]; ?^ lgdf0f ugI.

^= vfgkfgl cfofhgf ; ~rfng ugI}nflu !)) hgf e6bf a9l hg; Wof lj :yflkt ugI.

&= kfglsf]>f}sf]dflylnf]efudf %)) hgf e6bf a9l hg; Wofsf]a; f#f; u/fpg].

\*= @) xhf/e6bf a9l hg; Wofnf0{vfgkfgl ckl't{ugI.

(= Ps nfve6bf a9l dflg; x2nf0{vfgkfgl ckl't{u/l goF>f} hf0g].

!)= hlj s Pj +f; folgs k0f0fx2 xg]k066 / ggk066 >f}x2 jf ltgaf6 k0f]j t xg ; Sg]eldut hn>fj sf]cf0/ df0lg^ ugI.

!!= kl't ; \$08 @% ln6/ e6bf a9l kfglsf]>f} pkofu ugI vfgkfgl >f} ; Dj6wl ax' p2olo cfofhgf ; ~rfng ugI.

-P] kmxf] dñf Joa:yfkg

!= !) xhf/ e6bf a9L hg; Wofnf0{; j f k0fpg]p2]on]; ~rfng xg]kmxf] dñfsf]Joa:yfkg sfo{ug].

@= 3/ Pj +cfj f; Ifqaf6 lg:sg]kmxf] dñfsf]; Dj Gwdf bxfosf]sfd ug]M

s\_ j flif\$ Ps xhf/ 6g e6bf a9L kmxf] dñf hldgdf eg].

v\_ # x\$6/ e6bf a9L Ifqdf kmñPsf]66; km/ :6zg / l/; f] {l/sf/L Pl/of ; Dj Gwl sfd ug].

u\_ @ x\$6/ e6bf a9L Ifqdf kmñPsf] /; fog, oflGqs jf hñ s t/lstaf6 kmxf] dñf 5gf0, sñfpg] tx nfpq]/ kgM k0f] ug].

3\_ % x\$6/ e6bf a9L Ifqdf kmñPsf]sDkf]6 Knf66 ; Dj Gwl sfd ug].

a\_ sDtldf bz xhf/ hg; Wof ePsf]zx/L Ifqaf6 lg:sg]kmxf] dñf uf8g]sfd ug].

#= lgDg k\$[t / hg; 5}:t/sf vt/fk0f{kmxf] dñf ; Dj Gwl bxfosf lgdf0f ; Dj Gwl sfd ug]M

s\_ kmxf]dñf ; 06q lgdf0f .

v\_ kmxf]dñf l/sf/L Knf66 lgdf0f .

u\_ kmxf]dñf eg] ykfg]j f uf8g]7fpE]lgdf0f .

3\_ kmxf]dñf e08f/ ug]7fpE]lgdf0f .

a\_ kmxf]dñf l66d]6 ; lj wsf]lgdf0f .

\$= 3fts kmxf] kbfx; ; Dj Gwl bxfosf sfd ug]M

s\_ @% j if{e6bf a9L cfwf cfo' ePsf]sg}klg /]Bof]wdl{j :tx;sf]lgisf; g / Joa:yfkg ug].

v\_ %) n]yn 8fñ ePsf]sg}klg 3fts /; fog kbfx{lgisf; g / Joa:yfkg ug].

u\_ sDtldf @% z0f ePsf]:jf:Yo s]b«jf c:ktfn jf gl; 9 x0af6 lg:sg]hñ s 3fts kbfx;sf]cl6td lgisf; g Joa:yfkg ug].

3\_ sg}klg 3fts kbfx0f{e:d jf kgM k0f] ug]sf]nflu Ps x\$6/ jf ; f]e6bf a9L Ifqkm hldg / phf{ ; Dj Gwl sg}sfd ug].

-cf] s]if Ifq

!= kxf8df ! x\$6/ e6bf a9L / t/f00f % x\$6/ e6bf a9L j g km8fgl u/L s]fsf]nflu k0f] ug].

@= lgdf0f ; Dj Gwl bxfosf]sfd ug]M

s\_ =====

v\_ % lsnf]d6/ e6bf dflysf]s]if ; 8ssf]lgdf0f ug].

u\_ %))) e6bf a9L kHf hflt kñgsf]nflu lgdf0f sfo{ug].

3\_ %))) e6bf a9L 7hf rñkfofx; kñgsf]nflu lgdf0f sfo{ug].

a\_ %))) e6bf a9L ; fgf rñkfofx; -e0f, afv; kñgsf]nflu lgdf0f sfo{ug].

r\_ s]ifof]o elddf zx/ls/of ofñhg ug].

#= lj iffbl ; Dj Gwl -; lrt lj iffblx;sf]xsdf dfq\_ bxfosf sfdx; ug]M

s\_ !) 6g e6bf a9L lj iffbl cfoft ug].

v\_ ! 6g e6bf a9L lj iffbl lj qm lj t/of, e08f/of tyf l8:kñhn ug].

u\_ ! 6g e6bf a9l lj iffbl Ps}lqdf kofu ugI.

3\_ hljgfzs lj iffbl knf66 j f lj iffbl ; Dj Gwl sfd ugI.

-cf} :j f:Yo ; Dj Gwl

!= @% zdf e6bf a9lsf]c:ktfn j f gl; E xfd j f lrlst; f Joa; fo -cbbog clbfg ; d}\_ ; ~rfng ugI.

-c+lqDg lnltv lqdf sg}k|tj sfotj og ugIePdf M

!= P]txfl; s, ; f;s[ts tyf k/ftfl]s lq .

@= kof]lfo b[i6n]sdhf] tyf ; ld lq .

#= /fli6 lgs'-h, j 6oh6t' cf/lf / ; Af0f lq .

\$= cwzls, kj [to tyf lxd lq .

%= ; efJo af9l tyf c6o vt/foQm lq .

^= cfj f; , lj Bfno tyf c:ktfn lq .

&= ; fj hlgv vfgkfgl cfklt6f dVo >f]x\_ /x6f] lq .

\*= =====

-cM bz s/f6 ?kdf e6bf a9l nfut nllg]sg}lj sf; sfo{ eflts lqmfnsfk j f e"pkof]sfl]kl/j t6 ugIsg}  
of]hg, cfof]hg j f sfo6md ; ~rfng ugI.

j ftfj /0f ; /lf0f lgodfj nl-@)%\$

cg; 'L-#

-lgod % ; # ; dj lGwt\_

kl/Dels j ftfj /0flo kl/lf0fsf]sfo{ 'L

!= kl|tj dg tof/ ugIjolQm j f ; #yfsf]gfd / 7ufgf M

@= k|tfj sf]-

s\_ ; fdf6o kl/ro

v\_ k|tfj sf]; f6ble\$tf

#= kl|tj dg tof/ ubf{ckgfpq' kgI]j lw

\$= kl|tj dg tof/ ubf{l j rf/ ugkgIlglt, Pq, lgod tyf lgbIzsfx¿

%= kl|tj dg tof/ ubf{nflg]-

s\_ ; do

v\_ cgdfllgt ahø

^= \_\_\_\_\_

&= k|tfj sfoffj og ubf{j ftfj /0fdf kgIvf; kqfj -

s\_ ; fdfllhs-clly\$

v\_ ; f#s[ts-ef]ts

u\_ /; folgs

3\_ hj] s

\*= k|tfj sfoffj ogsf lj slkx¿ -

s\_ l8hf0g

v\_ cfoff]hgf :yn

u\_ kl]j lw / ; -rfng lj lw, ; do tflnsf, kqf] xg]sRrf kbfy{

3\_ c6o s'/fx¿

(= k|tfj sf]sfoffj ogaf6 j ftfj /0fdf kgIkqfj sf]/f\$yfdsf s'/fx¿

!)= k|tfj sfoffj og ubf{cgludg ugkgIs'/fx¿

!!=

c6o

cfj Zos

s'/fx¿

j ftj /of ; Af0f lgodfj nl, @)%\$  
 -lgod % ; # ; Dal6wt\_  
 j ftj /0flo k6fj dNofg sfo{ rL

- != k|tj 6g tof/ ug{JolQm j f ; #yfsf]gfd / 76rgf M
- @= k|tj sf]; fdf6o kl/ro
- #= k|tj 6g tof/ ubf{cfj Zos kg{tYof1 / tYof{x? ; \$ng lj lw
- \$= k|tj 6g tof/ ubf{lj rf/ ug{kg{glit, P6, lgod tyf lgb{zsfx?
- %= k|tj 6g tof/ ubf{nflg}M
- s\_ ; do
- v\_ cgdflgt ah6
- u\_ cfj Zos kg{lj z}f1
- ^= k|tj 6g tof/ ug{6f]nflu lgwf{0f ul/Psf]l}6
- &= k|tj sf6f} og ubf{j ftj /0fdf kg{vf; k6fj
- s\_ ; fdfhs - cfly6
- v\_ ; fS{ts - eff}ts
- u\_ /; folgs
- 3\_ h}j s
- \*= k|tj sf6f} ogsf c6o lj sNkx?
- s\_ l8hf0g
- v\_ cf6f}hgf :yn
- u\_ klj lw / ; #fng lj lw, ; do tflnsf, k6f} xg]sRrf kbfy{
- 3\_ j ftj /of Joj :yfkg k6ffnl
- a\_ k|tj sf6f} og ubf{p}k6g xg]hf}vd :jlsf/ ug{; lsg]j f g; lsg]
- r\_ c6o s{/fx?
- (= k|tj sf6f} og ubf{b}vg]gsf/flds k6fj x? x6fpg]pkfox?
- !)= k|tj sf]nfut k|tkmsf]lj j /of
- !!= k|tj sf6f} og ubf{cgludg ug{kg{S{/fx?
- !@= k|tj 6g tof/ ubf{pNn} ug{kg{; f6ble6 ; r6g, ; Gbe{; rL, kl/lzi6, gS; f, krf6f]lrq, tfnlst, rf6{ u}k}m  
 kZgfj nlx?

j ftfj /Of ; AfOf lgodfj nl @)%\$

cg' rL %

-lgod & ; # ; DalGwt\_

kf/IDes j ftfj /Oflo k/LIfOf ; DaGwl kltj lbg tof/ ubf{vhfpg' kgIs/ fx?

- != kltj lbg tof/ ugI JolOm jf ; #yfsf]gfd / 7Ufgf M
- @= k|tfj sf] ; f/fz -k|tfj sf] sfof] ogaf6 j ftfj /Ofdf kg{ ; Sg] kfej sf ; DaGwdf bxfosf s/ fx? ; #f]df pNny ugI
  - s\_ k|tfj sf]p2Zo,
  - v\_ e"pkof]df kgIc; /
  - u\_ j ftfj /Ofdf kgI kltsh kfej , dfgj hlj gdf kgIc; / , hg; Wofsf]rfk
  - 3\_ :yfglo lrh j :tdf xg] lflt
  - a\_ cGo cfj Zos s/ fx? .
- #= k|tfj sf] ; DaGwdf bxfosf s/ f :ki6 vhfpg' kgIM
  - s\_ k|tfj sf]lsl; d !\_ kzf]wg ugI @\_ pTkfbg ugI #\_ h8fg ugI\$ \_ ; le{ 8]ne/l %\_ cGo
  - v\_ 8]ne/l ugI eP s]s:tf]j :t' 8]ne/l ugI
  - u\_ k|tfj sf]M
    - !\_ h8fg lfdtf @\_ klt lbg jf j if{slt 306f ; #fng xg]
  - 3\_ k|of] ul/g] ; fdul -kl/dfOf / j if{pNny ugI
  - a\_ k|tfj sfof] og xBf lgisf; g xg]-slt ; do ; #fng xBf slt kl/dfOfdf lgisfzg xg]xf]vhfpg]
    - !\_ 7f] @\_ t/n #\_ xfjf \$ \_ lOfF %\_ Wj gl ^\_ whf] &\_ cGo
  - r\_ kof] xg]phf\$]M
    - !\_ lsl; d @\_ >f] #\_ vkt xg]kl/dfOf -klt 306f, lbg / j if{f\_
  - 5\_ hgzlqmsf]cfj Zostf slt kgI
  - h\_ k|tfj s sfof] og ug{cfj Zos kgI
    - !\_ sh kFl @\_ rfn' kFl #\_ hldgsf]lfgkm \$ \_ ejg / ltsf lsl; d %\_ dlzg/l cf]hf/ ^\_ cGo
  - em\_ k|tfj sfof] og xg] lfgsf]lj :t' ljj /Of
    - !\_ gS; f @\_ ; f]lfg / j l/k/l sf]hg; Wof / a; f]f; sf]l:ylt
    - #\_ k|tfj sfof] og xg] lfgsf]cf; kf; df sg}; j hgzln lrh jf j :t' /x\$]eP To:tf lrh j :tsf] ljj /Of \$ \_ xfnsf]l:ylt %\_ kfglsf]>f] ^\_ kmf/ d] of]g]jf kzf]wg ugI Joj :yf &\_ k|tfj sfof] og xg] 7fp] cfj t hfj t ugI af6f]
  - `\_ pTkfbg klqmf
  - 6\_ klj lwsf]ljj /Of
  - 7\_ cGo cfj Zos s/ fx?
  - \$= k|tfj sfof] og ubf{j ftfj /Ofdf kgI kfej x? M
    - s\_ ; fdf]hs, cfly\$ / ; fS[ts lfgdf kgI kfej
      - !\_ dfgj ; jf:Yodf kgI kfej
      - @\_ v]t of]lo hldgsf]lfo
      - #\_ ag hunsf]lfo
      - \$\_ ; fdf]hs, ; fS[ts / wld\$ dNo dfGotdf xg]kl/j tG
      - %\_ cGo
    - v\_ hlj s kfej x?
      - !\_ hg; Wof @\_ jg:klt tyf hlj h6t' #\_ k]s[ts jf; :yfg / ; dbfo
    - u\_ efl]ts kfej x?
      - !\_ hldg @\_ j fod08n #\_ kfgl \$ \_ Wj gl %\_ dfjg lgldf
      - j :tx? ^\_ cGo

%= kēj sfōj og sf ljsllkx?  
!\_ l8hf0g @\_ cfōhgf :yn #\_ kllqmf, ; do tflnsf \$\_ kōfj xg]sRrf kbfy{%\_ cō  
s/fx?  
^= k|tfj sf]sfōj og ubf{jftfj /0fdf kg[kēj nf0{sd jf /f\$yfd ug]pkfox?  
&= k|tfj sfōj og ubf{cgludg ug{kglS/fx?  
\*= cō cfj Zos s/fx?  
b|6Jo Mkljtj dg tof/ ubf{cfj Zostf cg; f/ tVofl, gS; f, lrq, tflnsf, rf6{cflb ; Ælg ug{kgl .

cg' rL ^

jftfj/Of ; AfOf lgodfj nl @)%\$

cg' rL ^

-lgod & ; # ; DalGwt\_

jftfj/Oflo kfej dNofI g kljtj dg tof/ ubf{vhfpg'kgIs/fx?

!= kljtj dg tof/ ugIjolQm jf ; #yfsf]gfd / 7ufgf M

@= k|tfj sf] ; f/fz -k|tfj sf] sfof] ogaf6 jftfj/Ofdf kg{ ; Sg] kfej sf ; DaGwdf bxfosf s/fx?df pNny ugI

s\_ k|tfj sf]p2I o,

v\_ e"pkof]df kgIc; /

u\_ jftfj/Ofdf kgIklts h kfej, dfgj hlj gdf kgIc; /, hg; Wofsf]rfk

3\_ :yfglo lrh j :tdf xg] lflt

a\_ cGo cfj Zos s/fx? .

#= kljtj dg sf] ; f/fz M

jftfj/Oflo kfej dNofsg ; DaGwl kljtj dgdf pNny ePsf s/fx?sf] ; Hfkt ljj /Of .

\$= k|tfj sf]lj j /Of

s\_ k|tfj sf]klj lws, e]f]ns, jftfj/Oflo, cfly\$, ; fdf]hs, ; f:s[ts tyf e]f]ts klf pNny ugI.

v\_ k|tfj sf]sfof] ogaf6 k]o\$ r/Ofdf ul/g]sfo{x?sf]p2I o, sfogllt tyf sfo]f]nsf pNny ugI.

%= k|tfj sf]cfwf/et hfgsf/l

k|tfj sf]k\$[t cg' f/ dNofsg ul/g]l]sf]e"e]f]ts, ; fFs[ts, hlj s; tyf ; fdf]hs, cfly\$ kl/l:y]tsf ; fy}k|tfj ; #fng xgeGbf klxnf xg ; Sg]sg]kl/j tGsf af/]f cfwf/et hfgsf/l pNny ugI. pknAw xg g; Sg]sg]tYofs tyf clbogn]; d]g g; Sg]lj ifoj :tx? eP ; f]klg pNny ugI.

^= jftfj/Oflo kfej sf]klxrfg

k|tfj sfof] og ubf{jftfj/Ofsf] bxfosf l]gdf kg{ ; Sg]cgsh tyf klts h kfej x?sf] pNny ugI tyf ; e] eP; Dd ; do / sfo{t]f]nsf cg' f/ ; Deflj t kfej x?sf]cgdfg ugI/ kl/dfOf t]sg]M

s\_ k|tfj sf]sfof] ogaf6 nfebfol jf klts h kfej kgI; do / e]f]ns l]g .

v\_ k|tfj sf]sfof] ogaf6 lgisfzg xg]knx/d]f / k]l]f]ofsf kfej x? .

u\_ k|tfj sf]sfof] ogaf6 jftfj/Ofdf kgIkl]of, ck]of / ; du|-sdh]le\_ kfej x? .

&= k|tfj sf]lj sNk lj Zn]fOf

bxfosf]lj ifodf lj Zn]fOf ug{kgIM

s\_ k|tfj sf]l8hf0g, cfo]hgf :yn, klj lw / ; #fng lj lw, ; do t]f]nsf k]f] xg]sRrf kb]f]cf]bsf] lj ifodf .

v\_ k|tfj sfof] og ubf{cfj zos kgI l:y/ kFl / rfn" kFl, :yfglo cgsh tf, ; #yut t]f]nd / ; kl/j ]f]ofsf]cfj Zostfx?sf cfwf/df thgf ugI/ ; Dej eP; Dd k]o\$ j \$]Nks pkfosf]jftfj/Oflo nfut kltkm tyf cfly\$ dx]sf]af/]f .

u\_ k|tfj sfof] og ubf{kgIcNksfng, d]bsfng / bl3\$]fng klts h c; /x? .

- 3\_ k|tfj sfofj og ubf{kofu xg]phf{/ To:tf]phf{art ug{ckgf0g]pkfox? .
- a\_ k|tfj sfofj og gu/df xg ; Sg]kl/0ffdsf]lj Znifof .

\*= jftfj/0flo kfej sd ugIpkfox?

- s\_ jftfj/0fdf k|tsh kfej kfg{ ; Sg] ; a) lqofsnfkx?sf] nflu ckfpg' kgI Jofj xfl/s ; /lffds pkfox? pNny ugI.
- v\_ ; /lffds pkfox?4f/f jftfj/0fdf kgI kfej kof{?kdf x6pg g; lsg]ePdf lfltkltf ; Da6wdf pNny ugI. c6o ; Deflj t lj slkx?; # thgf u/l ; /lffsf pkfox? vr\$fb[6sf]faf6 slQsf]kfej sf/l 5g\ e6g]s/fsf lj Znifof ugI.
- u\_ c6o ; Deflj t lj slkx?; # thgf u/l ; /lffsf pkfox? vr\$fb[6sf]faf6 sltsf]kfej k/\$f 5g\e6g] s/df lj Znifof ugI.

(= jftfj/0flo Joj:yfkg ofhgfsf ; Da6wdf pNny ugI.

!)= glltut tyf sfqgl Joj:yfsf]; dliff

k|tfj sf]k\$[t / :t/sf cfwf/df ; Dal6wt gllt tyf P6 lgodx?sf]; dliff ugI. sg}gllt tyf sfqgl Joj:yfdf ; wf/ ug{kgeP ; f]pNny ugI.

!!= k|tfj sf]cgludg

k|tfj sf]sfofj ogaf6 jftfj/0fdf kgI kfej sf ; Da6wdf ul/g]cgludgsf]tl/sf, cgludg ugI lgsfo / ; do tflnsf, cgludg tyf dNofsgsf ; r\_s cflb pNny ugI.

!@= jftfj/0flo k/lif0sf]9ff tyf To; sf]; fy\$tsf af/df pNny ugI.

!#= ; Gbe{; fdu|x?

k|tj dg tof/ ubf{pbw[ ul/Psf]; Gbe{x?sf]k\$fgz ; Da6wl ; r\_l lgDgnlvt cfwf/df agfpg]M

s\_ nys, v\_ k\$flzt ePsf]ldlt u\_ pbw[ ul/Psf ; fdu|sf]zlif\$

3\_ pbw[ ul/Psf]k\$fgz jf klqsf]gfd, a\_ jif{v08, c\$ cflb -ePsf]v08df\_ r\_ k[7

!\$= kl/lzi6df bxfosf s/fx? ; dfj z ugI

s\_ e"agf6, efuf]ns l:ylt, e"pkofu, e"lfdtf / cWbog; # ; Dal6wt gS; fx?

v\_ ; e] eP; Dd k|tfj sfofj og :yn tyf To; j l/kl/sf lfx?sf]xj f0{krf]x?

u\_ :ynut cg'; Gwfgsf nflu kofu ul/Psf kZgfjnl jf lj ifo j :tsf]; r\_l

3\_ rf6{tyf lrqx? h:tf jftfj/0flo kfej dNofsg; # ; Dal6wt s/fx?

a\_ hnj fo' tyf xjfkfgl ; Da6wl tVofs -; dosf]cfwf/df qmda4 u/L\_

r\_ k|tfj sfofj og :ynsf jg:klt tyf hlj h6tsf]tVofI

5\_ efyle\$ tyf hllvd dNofsg tVofI -k[lt ug{; lsg]ePdf\_

h\_ pknAw xg]; Sg]ePdf cfof]hgf ; #fng ug{cl3 / kl5sf xjf / kfglsf]u0f:t/ tyf W0lgsf]:t/ ; Da6wl hfgsf/l

em\_ jftfj/0f kfej dNofsg; # ; f6ble\$ Dofl6&; jf qmda4 /yf lrq

`\_ gS; f, :nf08, /\$8{? tyf lel8of]lknld h:tf ; xfos >Jo bzo ; fdu|

5\_ afnl nufpg]tl/sf, kzkfng, df6f\$]u0f, /f; folgs dn kofu ugI dfqf ; Da6wl tVofs

- 7\_ cWbog kltj Dg tof/ ubf{kφfū ul/Psf lnlt ; fdulx?sf]; Gbe{; ĘL
- 8\_ cfdlGqt JolQm? tyf ; xefulx?sf]; ĘL tyf ; DalGwt ; :yfx? alrsf]5nkm, e]f / a]ssf]/\$8{? tyf 5nkm / cgludgsf]5fφf]hfgsf/L
- 9\_ jftj/Oflo kēfj dNofsg kltj Dgsf]tof/Ldf ; mlg cWbog 6fhlsf JolQm tyf ; :yfx?sf]gdfj nl
- Of\_ cWbogsf]qmdf ; Dks{ul/Psf JolQm tyf ; :yfx?sf]gfd, 7ūfgf / 6l]nkrf] gDa/

jftfj /of ; Afof lgodfj nl @)%\$  
cg' ʔl &  
-lgod !^ sf]pklgod -!\_ ; ʔ ; DalGwt\_  
kʔifof lgoGqOf kʔfOfkq lng' kgʔpBfʔx?

- 1 Anʔ8<sup>a</sup> kʔʔfaf6 dlb/f pTkfbg ugʔtyf pdfʔlg]/ kndʔ6ʔzg ; lj wfoQm l8l:6n/L ; DaGwl
- 2 kndʔ6] g ; lj wfoQm aʔ/L / j f0g/L ; DaGwl
- 3 sfʔfʔ] ; e, Pl; 8, cʔnsfnl h:tf kʔylds /; fog pTkfbg ; DaGwl -; f0l6s, 6f/6l/s, P; ʔ6s Pl; 8 h:tf  
afxʔ\_
- 4 5fnf kʔʔfʔvg ugʔ
- 5 Onʔ6ʔknʔ6<sup>a</sup> tyf ʔofʔnegf0lhE ; DaGwl
- 6 sls<sup>a</sup>, gʔʔʔn ʔofF l/lknʔnE, lknʔnE, pTkfbg lj t/of ugʔ
- 7 9ʔʔf qm; <sup>a</sup> ; DaGwl
- 8 /ʔ /fʔvg ; DaGwl
- 9 bʔw kʔʔfʔvg ; DaGwl
- 10 Anʔ8E, l/kʔ] ʔ; E j f l/Snfʔʔzg kʔʔfaf6 nʔj ʔʔ6; \pTkfbg ugʔ
- 11 knʔʔ pTkfbg ; DaGwl
- 12 8ʔ0 j f j ʔ ; ʔ -Jof6k pTkfbg ugʔ
- 13 vfB; f/l j f lrgl pTkfbg ugʔ
- 14 k/Dk/fut 3/ʔ' pBfʔ ʔafxʔsf wfuf]sk8f /ʔf0{ 5kʔ0{j f whf0{-un}ʔf ; dʔ\_ ; DaGwl
- 15 k/Dk/fut 3/ʔ' pBfʔ ʔafxʔsf kNk j f sfuh ; DaGwl
- 16 06f, 6fon cʔbl ; DaGwl
- 17 rg 9ʔʔf j f lSnE/df cʔwfl/t l; dʔ6 ; DaGwl
- 18 rg pTkfbg ; DaGwl
- 19 cʔʔfwl ; DaGwl
- 20 sʔʔdsn knʔ6ʔf0h/ -Anʔ8<sup>a</sup>\_ tyf ls6 gfzs kbʔy{-Anʔ8E\_ pTkfbg ugʔ
- 21 knʔʔli6s -v] uPsf]knʔʔli6ssf]sRrf kbʔyʔf cʔwfl/t\_ ; DaGwl
- 22 ; nf0{; DaGwl
- 23 c6f]j sʔk -@ kʔʔafxʔ\_ ; DaGwl
- 24 sfʔʔnfaf6 sfʔ, lj ʔʔ cʔfb pTkfbg tyf kʔʔfʔvg ; DaGwl
- 25 knʔʔli6s kʔ] ʔ; E -v] uPsf]kbʔy{kʔ] ] ugʔafxʔ\_ ; DaGwl
- 26 6fo/, 6ʔʔ; / /a/ kʔʔfʔvg tyf pTkfbg ugʔ

27 ; faġ -l86/h[6, SnllgĒ :ofDk' ; dĵ\_ ; DaĠwl  
 28 knf[6f]k[ġ] ġ; Ē ; DaĠwl  
 29 knfp08k ; DaĠwl  
 30 r/7[6, lġ 8L, ; 'tl{kfg d; nf pTkfbg ugġ  
 31 kz'awzfnf ; DaĠwl  
 32 UnfF -sfr\_ ; DaĠwl  
 33 vfB kżfġg ; DaĠwl  
 34 wftut -l/d[6<sup>a</sup>, l//f[ġ<sup>a</sup> tyf k[ġ]j \$żg ; dĵ\_ ; DaĠwl  
 35 lġ 6ldg tyf lġ 6ldg 0dN; g ; DaĠwl  
 36 sf[ġ]8 :6f[ġ]h ; DaĠwl  
 37 wfuf]stf0{ ; DaĠwl  
 38 ag:klt Wb," t[ġ] ; DaĠwl  
 39 hl8a6l kżfġg ; DaĠwl  
 40 xf8 l; # / v/af6 lġ leġg j :t' pTkfbg ; DaĠwl  
 41 /f[ġ]ng 6k[6f0g, e[ġ]P/ tytf sTyf ; DaĠwl  
 42 df5fdf; 'kżfġg ; DaĠwl  
 43 Kofs[ġ]<sup>a</sup> kbfy{pTkfbg ; DaĠwl  
 44 kzk#l[sf]bfgf ; DaĠwl  
 45 d[ġ]zg zk ; DaĠwl  
 46 j[ġ]8<sup>a</sup> k[ġ]sof afx\$[sf]s[ġ]dsn knl6[6f0h/, ls6gfzs kbfy{pTkfbg ; DaĠwl  
 47 ? % s/f[6] e[6f] a9l l:y/ k[6]l nufgl xg]vfgldf cfwfl/t pBf[ġ] ; DaĠwl  
 48 k[6]k[ġ] /; folgs pTkfbg tyf kżfġg -l8hn, d[6]l[t]h, n[ġ]j \$[6]; \Knfli6s, l; gy[6]s /a/ cflb pTkfbg  
 ugġ  
 49 k[ġ]; tyf gg\kn[ġ]; -l//f[ġ]<sup>a</sup>, l/d[6]<sup>a</sup> / k[ġ]j \$żg afx\$\_ k[ġ]/IDes :d[6]<sup>a</sup> u/l wft' pTkfbg  
 50 P:j]6; pTkfbg ugġ  
 51 /[6]of]lġ ls/of lgisfzg xg]-6o[6]sno/ / P6f[ġ]ds kżfġg\_ ; DaĠwl  
 52 cf[6]w[6]s[ġ]nflu k[ġ]/IDes sDkfp08 (Bulk drugs) pTkfbg ugġ  
 53 clt 3fts (extremely hazardous) kbfy{h:t}cf0; f] f0gf06, ds{l sDkfp08 cflb ; DaĠwl  
 54 uf[ġ]l u[6]f, af?b nufotsf lġ ikn[6]s kbfy{pTkfbg ugġ  
 55 xf8sf]/f; folgs kżfġg ; DaĠwl

cg', 'L \*

**pBf] /xg]:yfg -lf] ; DaGml sfoGllt**  
**cf] k' afB\$]ldlt @)%\$.!.( df a; \$f]!#@ cf]a]ssf]lg0f6 g=!**

pBf] /xg]:yfg af/\$f]cf] k' afB\$]!!! cf]a]ssf]lg0f6fg; f/ nfu' ePsf]glltdf kg/fj nf\$g u/L gofFglit nfu' ug{lj leGg pBdlx?af6 dfu e}/x\$f]; Gbedf pk/fQm glltdf kg/fj nf\$g u/L gofFsoGllt nfu' ug{af/ cf] k' afB\$]!@( cf]a]sdf k|tfj k' e}5nkm xbf o; df pBf] dGqnosf]; x ; lrj >l lj dn k| fb sf0/fnf, hg; Wof tyf jftfj /Of dGqnosf ; x; lrj, pBf] lj efusf dxflgbz's, 3/h' tyf ; fgf pBf] lj efusf dxflgbz's / 3/h' tyf ; fgf pBf] dxf; \$sf clwbf ; d] /x\$f]sld6l u7g u/L ; f]sld6lsf]/fo ; lxt cf] k' afB\$] kgM k|tfj k' ug]lg0f6 ePsf]lyof]. pk/fQm sld6n]lbPsf]/fo ; emfj ; d]sf]cfwf/df pBf] /xg]:yfg af/\$f]cf] k' afB\$]!!! cf]a]ssf]lg0f6nf0{kg/fj nf\$g u/L k' ePsf]gofFsoGlltdf 5nkm xbf pBf] /xg]:yfg af/]lgDfg; f/sf]sfoGllt nfu"ug]lg0f6 eof].

- != sf7df8f]pkTosfsf gu/kflnsfx? leq cg', 'L ! -cf] k' afB\$]!#@ cf]a]ssf]lg0f6 g=! sf]cg', 'L cg'; f/sf pBf]ux? dfq :yfgkf ug{; lsg]5 .
- @= sf7df8f]pkTosf leq cg', 'L @ -cf] k' afB\$]!#@ cf]a]ssf]lg0f6 g=! sf]cg', 'L df pNn]vt Negative List sf pBf]ux? :yfgkf ug{kf0g]5g .
- #= sf7df8f]pkTosfsf gu/kflnsf afx\$ clw/fhosf c6o gu/kflnsfx?df cg', 'L # -cf] k' afB\$]!#@ cf]a]ssf]lg0f6 g=! sf]cg', 'L df pNn]vt Negative List sf pBf]ux? :yfgkf ug{kf0g]5g .
- \$= cfB]us lfq leq kb]f /f\$yfd / ; /lfsf pkfox?sf]Joj :yf u/L ; a]sl; dsf pBf]ux? :yfgkf ug{kf0g]5 .
- %= kd'v wld\$ lfq glhs}0hfht lng' kg]pBf] :yfgkf ubf{; DalGwt uf= lj = ; =gu/kflnsfsf]l; kmf/z k' ug{kf]5 .
- ^= of]gllt nfu"xb' e6bf klxn]0hfht lnPsf jf btf{ePsf jf ; #fngdf /x\$f]pBf]ux?n}kfl tyf lfdtf a[4 jf p2]o yk dfu u/df of]gllt cg?k lj efun]:jls[t lbg].
- &= o; e6bf cuf8l btf{ePsf jf 0hfht lnPsf pBf]ux? klg 7fpFf/lsf]nflu lgj bg lbg cfPdf dfly pNn]v eP cg'; f/sf]l; 4ft cg'; f/ lj efun]:jls[t lbg].
- \*= o; e6bf cuf8l 0hfht kb]f ubf{pBf] /xg]:yfg gu/kflnsf lfqaf6 lglZrt b'l sfod ul/g' kg]u/L /flvPsf]zt{khs}f ug{dfu ePdf lj efun]khs}f ul/lbg].
- (= pBf] ; #fng ubf{pBf]df e0/x\$f]sfd sf]f{lnf0{dh ; 8saf6 gb]vg]Joj :yf ldnf0{5/l5d\$nf0{afwf gk'ofpg]u/L ; #fng ug{kf]5 .
- !)= sf7df8f]pkTosfsf gu/kflnsf lfq?df ; #fngdf /x\$f pBf]ux? gu/kflnsfsf]Ps :yfgaf6 gu/kflnsfsf] csf]:yfgdf 7fpF; f/l ug{dfu u/df 5/ l5d\$nf0{afwf gkfg]zt6f ; DalGwt gu/kflnsfsf]j 8f ; ldlt dfkft ; h]dg dr'nsf ; d]sf]l; kmf/z ln0 kfl, lfdtf tyf p2]o yk gxb]u/L pBf]sf] 7fpF; f/l ; DalGwt lj efun]g}ul/lbg].
- !!= ; #fngdf /x\$f :yfgsf]cfwf/df gsf/flDs ; 'Ldf k/\$f pBf]ux?n]:jls[t l:sd adf]hdsf ; DkOf{d]zg pks/Of cfoft u/L g; s\$]cj :yfdf cfoft ug{af6l d]zg pks/Ofsf]l:sddf pNn]vt dNodf a[4 xb] u} jf ptkfbg lfdtf a[4 gxb]u/L d]zg yk ug{k/df ptkfbg lfdtdf a[4 tyf p2]o yk gxb]u/L kfl a[4 ; DalGwt lj efun]g}u/L lbg].
- !@= ; #fngdf /x\$f :yfgsf]cfwf/df gsf/flDs ; 'Ldf k/\$f pBf]ux?df k/fgf]hl8t d]zg pks/Ofsf]abnf gofFd]zg h8fg ug{dfu u/df ; flasf :jls[t tyf hl8t d]zgsf]lfdtf tyf p2]o yk ; d] gxb]u/L gofFd]zg h8fg ug{/ kfl a[4 xb]ePdf ; DalGwt lj efun]:jls[t lbg].

!# = ; flj sdf cfBflus Joj ; fo leq gkgI/ c6o lgsfoaf6 0hht ln0{ ; #fng ePsf Joj ; fox? xfn cfBflus Joj ; fo c6tu# pBflusf] ?kdf btff{u/L ; #fng ug{dfu u/df ; flj sdf ; #fng ePsf] kdf0f k# u/ #f] v08df p0m Joj ; fo hg 7fp#f ; #fng e}/x#f]5 ; f#L 7fp#f} ; #fng ug{kfpfg}u/L lj efun]btff{ul/ lbg]

!\$ = ?u0f cj :ydf /x#f]pBflux?n]pBfludf yk k#l a[4 u/L lfdtf a[4 tyf lj lj lws/0f u/L ; flj ss}7fp#f ; #fng ug{rfx#f o; k#f/sf] s#df pBflusf]jf:tljs l:ylt alem cfl#to x#l k#l tyf lfdtf a[4 / lj lj lws/0f ug{; Dal6wt pBflusf]s#sf]cwf/df cf# k# af#0f k# ug].

-cf# k# af#0f]!#@ cf#a}ssf]lg0f6 g#! sf]cg; #l !\_

### sf7df8f}pkIosfsf gu/kflnsfx?df :yfkf ug{; lsg]gofpBflux?

#### s\_ 3/h'pBfl

- k/Dk/fut 3/h'pBfl -u#dl0f 6#flg# afx#\_

#### v\_ ko6g pBfl

- 6#en Ph]; l
- 6#s# Ph]hl
- x#f]h l/; f# /]6/06

#### u\_ pIkbfgd#s pBfl

- vfB k#f]vg -a9ldf ?= b0{nfv; Ddsf]dl]zg/L ePsf] - dl6 kf] l]; a afx#
- 0n#6#gs h8fg pBfl
- d#ga0l pBfl -a9ldf ?= Ps nfv; Ddsf]dl]zg/L ePsf]
- :6#zg/L pBfl -sfuhaf6 a#g]d; n6b ; fdfgx? Ma9ldf ?= ! nfv; Dd dl]zg/L ePsf]
- sf7sf]kmgf/ pBfl -Aof08 ; M/fVg gkf0g]/ a9ldf ?= krf; xhf/; Ddsf]dl]zg/L ePsf]
- pmgl wfuf]stf0{-xft]rvf#f6\_
- /]hlgf Jofu pBfl -a9ldf ?= Ps nfv; Dd dl]zg/L ePsf]
- 5fnfsf tof/ ; fdfg -a9ldf ?= Ps nfv; Dd dl]zg/L ePsf]
- cfoj #s cf]fwl pBfl -a9ldf ?= krf; xhf/ ; Dd dl]zg/L ePsf]

#### 3\_ lgdff pBfl

- ^nf0 cf# / allh
- sf0f#o, Jofkl/s / cfj fl; o sDkn#;
- 6kn a; ; ]f -j s#k / l0f/h xg]ePdf gu/kflnsf aflx/ xg'kg]

#### a\_ ;]f pBfl

- lgDgnlvt ; ]f pBflux? sf7df8f}pkIosfsf gu/kflnsfx?df :yfkf ug{kf0g]5# .
- dem]f tyf 7hf /f; folgs k#f]uzfnf pBfl
  - sfo#fnf -j s#k ?= b0{nfv#bf a9l d#lg ePsf]
  - s6 6'n]y l; 6#, l:6k / 6#]

- lrof, 3/fo;L d; nf, lrgl, dlf, gđ, bfn cflb vfB j :tx? koflsu ugI pBfju afxšsf l/koflsu pBfju?
- rnlrq Joj ; fo cftu{sf]kzfvlg ugI kofjuzfnf
- jfl; u, 8f0E knf06, sk8f 5kf0{-6š; 6f0n lkq6lE\_
- sfl]8 :6f]h

-cf] k+ afšsf]!#@ cf]a]ssf]lg0f6 g+! sf]cg' rL @  
 @= sf7df8f]pkIosf leq :yfkf ug{gkf0g]pBfju?

<u>Sector</u>	<u>Pollution : Parameters</u>
Tannery	Chromium Sulphides High BOD, Sodium, Odour
Chemical Fertilizer	Ammonia, NH <sub>4</sub> Cl, SiF <sub>4</sub> , HF NO <sub>x</sub> from Ammonium Nitrate Reactor
Cement	Particulate (Dust) CO, SO <sub>x</sub> , NO <sub>x</sub>
Steel Melting & Foundry (medium & large)	Hydrocarbons, Aldehydes, Ketones, Carbon Monoxide fumes, Smokes, SO <sub>x</sub> , NO <sub>x</sub> spent pickle liquor - Acidic
Pulp & Paper (except traditional handmade paper & small scale recycling plant)	Sulphite waste liquor with calcium bisulphite liquor white water effluent
Caustic Soda Chemical Manufacturing Industries	Mercury from caustic soda production many acidic and alkali wastes
Oil Refineries Petroleum Product (Petrol, Diesel, Kerosene, Lubricant, Furnace oil etc.)	Oil & Grease, Hydrocarbon, phenols fatty acid & Nitrogen Compounds and sulphur compounds, fire hazardous
Dyeing (medium & large)	Alkali wastes from dyestuff high pH, high BOD
Acid Manufacturing	Acidic wastes
Fermentation, Distillation & Blending (Distillery & Beer)	Odour, High BOD & high COD
Electroplating & Galvanization (medium & large)	High pH, BOD, Oil & greases metals, phenols & organic
Smelting Ferrous & non ferrous (medium & large)	Particulate matters (dust)
Sugar Production and khandasari	Odour, High pH, BOD, COD
Rubber Processing (tube & tyre manufacturing)	High pH, COD, Sulphide, Oil & grease
Paints Industries (medium & large scale)	
Bleaching powder	

-cf] k+ afšsf]!#@ cf]a]ssf]lg0f6 g+! sf]cg' rL #  
 #= sf7df8f]pkIosfsf gu/kflnsfx? afxš c6o gu/kflnsfx?df :yfkf ug{gkf0g]pBfju? M  
 s\_ cg' rL @ -cf] k+ afšsf]!#@ cf]a]ssf]lg0f6 g+! sf]cg' rL\_ df pNn]vt pBfju?  
 v\_ /fš 9uf pBfju

cGt/fl6 l; dfgaf6 \* ls= ld= leq :yfkf ug{kf0g]pBfux?

cf) k+ af\$[f]ldlt )%#.(#@ df a; \$f]!@( cf)a7ssf]3/h' tyf ; fgf pBf] l j efu tk[rf]lg0f6 g=#

cGt/fl6 l; dfgaf6 \* ls= dl= leq pBf] :yfkf ug{gkf0g]eG]af/df cf) Jo= Pj, @)\$ ( df sg}JoJ :yf gePsf] t/ cf) k+ af\$[f]!!! cf)a7ssf]lg0f6 g=# cg' f/ pQm aGbh nfu' e}/fv\$[f] ; Gbedf ; dofgsh kl/j tG ug{pBf] ; DaGwl lhNnf :tl/o sfofno kd\vx?sf]ufi7laf6 ; d] k[kt ; 'emjnf0{Vbfgdf /fvl pQm cf) k+ af\$[f]!!! cf)a7ssf]lg0f6 g=# sf] ; \$f bxf0 adf]hd ug]lg0f6 eof].

-!\_ koGg pBf] ; ]f pBf] ; 3/h' pBf] -un]f afx\$\_ / >l % sf] ; /sf/n] :yfkf u/\$f]j f >l % sf] ; /sf/sf] :jls[ l ln0 :yfkf ePsf]cfB]us lfG leq :yfkf ug]pBf]nf0{cGt/fl6 l; dfgf b]v \* ls= ld= leq pBf] /Vg gkfpG]eG]zt{sfod g/Vg].

@=s\_bxfosf ; fgf :t/sf pBf]x?sf]0hfht kbfg ubf{tyf btf{ubf{cGt/fl6 l; dfgf]v \* ls= dl= leq pBf] /Vg kf0g].

- bnfdf], elhof, d; nf, rfrfp, kfp/fL, rsnG, cf0; lqmd, a/km lj :sG pBf] .

- kzkHsf]bfgf pBf] .

- cu/alQ pBf] .

- dG]alQ .

- xf]hof/L pBf] .

- d; nG pBf] -z]fs ; fdul ; d]\_ .

- /]hgsf Jofu pBf] .

- lj 8l -; l't{ ; kf/L; u ; DaGwt pBf] ; d]\_ .

- kNk Pj +k]/ .

- sk8f whf0{Pj +wf0{.

- nlj \$]a t] .

- ; fag .

- 6fo/, 6dA; , /a/ kf6{ / /a/sf ; fdfg pTkfbg ug]pBf] .

- knfli6sdf cfwfl/t pBf]x? -xj f0{rkn, 3/fo; l ; fdfg cflb\_ .

- !) cZj zIQmeGbf sd lj B't vkt ug]bfn, t]h, rfdn, lrp/f, d]f -cf6f ; d]\_ pBf] -cf)k+ af\$[f] dlt )%#!!!# df a; \$f]!\$\* cf)a7ssf]3/h' tk[rf]lg0f6 g=# cg' f/ !) c z sf] ; \$f @% c z zIQm sfod ePsf].

- kmGf/ -dGn kmGf/ / % cZj zIQm eGbf sd lj B't zIQm vkt ug]sf7df cfwfl/t pBf]\_ .

@=v\_ 0Gf pBf], 9uf qm; ^ pBf] -; fgf, dem]hf / 7hf ; d]\_ .

#= qm; ; #! / @ df gk/\$f cG0 pBf]x?nf0{pQm b/l aGbh x6fpg' k/df cf) k+ af\$[f] k]tj k]z ug].

b/vf:t kn/ld æsÆ  
-; fgf pBf]sf]0hfhtsf]nflu\_

>l dxflgbzsho,"  
3/h' tyf ; fgf pBf] l jefu  
lqk'zj /, sf7df08f)gkfn .

**dxflbo,**

lgDg adf]hdsf]pBf] :yfgf ug]0k5f ePsfh]b/vf:t kx u/\$f]5' ÷ u/\$f 5f) d] ÷ xfdln]kx u/\$f]lgDg  
lnlvt Joxf]f d] ÷ xfdln]hfg]aem] Dd 7ls b?:t 5 .

- != pBf]sf]lsl; d M ; fgf .
- @= pBf]sf]j u{M pTkfbgdhs÷; }f÷s]f tyf agh6÷ko6g÷phfξvlgh÷lgdf0f
- #= pBf] /xg]:yfg M -s\_ c~rn M  
                                   -v\_ lhNnf M  
                                   -u\_ gu/÷uf=j =; = M  
                                   -3\_ j f8{g=M
- \$= lgj Ds -x?\_ sf]M -s\_ gfd M  
                                   -v\_ :yfol 7]f]fgf M  
                                   -u\_ knf] g=M  
                                   -3\_ gful/stf M  
                                   -a\_ gful/stf kdf0fkqsf]gDa/ M  
                                   -r\_ gful/stf k]t u/\$f]lhNnf M  
                                   -5\_ gful/stf kdf0fkq lnPsf]ldlt M

%= p2z0

pTkfbg÷; j]sf]kOf{ljj /Of	j flif\$ lfdtf	dfjh (Value)	vkt	
			vkt xg]bž	cgdflgt kl tzt

- s\_ lz^6 ; wof M
- v\_ lz^6 ; do M ===== ah]b]v ===== ah]; Dd
- u\_ af0kBS6; \sg)eP To; sf]lj j /Of / ; f]sf]pkofu M
- ^= kFl lj j /Of M
- s\_ l:y/ kFl M ?= =====
- v\_ rfn' kFl M
- u\_ sh kFl M
- &= nufgl]sf]>f] M :j nufgl -
- COf nufgl -
- \*= lj bžl kflj lws ; xofu kfl]t xg]eP To; ; DaGlwL ePsf]n]yfk9L jf ; Demf]sf]lj j /Of .

(= sRrfdn -dVo tyf ; xfos\_

kOf{ljj /Of	j flif\$ rflxg] kl/dfOf	dfjh	>f]		
			gkfn	ef/t	cGo bž

!)= d]zg M

kOf{ljj /Of	; wof	dfjh	>f]		
			gkfn	ef/t	cGo bž

!!= d]zg/]sf]nflu cfj Zos kl/j To{l j bžl dbf M

!@= sdf/l, dhb/

sdf/l

:j bžl

lj bžl

hdDf

s\_ kflj lws  
v\_ kžf; lgs

dhb/  
s\_ blf

v\_ cwlf  
u\_ cbf

sh

- !# = pBf]sf]nflu cfj Zos kg[hldgsf]lf]km / lj j /Of M
- !\$ = cfj f; lo lf]af6 pBf] :yn ===== lsnf]dl6/ ===== dl6/ 6f9f k5{.
- !% = glhs}sg}pBf] 5 ls ? 5 eg]sg pBf] ? slt k/ 5 -vhfpg] ?
- !^ = :sh, xl:k6n, ; fS[ts, k]s[ts tyf wld\$ ; Dkbf glhs}eP slt b/ldf 5 ?
- !& = s\_ kfglsf]>f] / cfj Zos kl/dfOf M  
v\_ 0Gwg=lj Bt\$>f] / cfj Zos kl/dfOf M
- !\* = ; fj h]gs 9n lgsf; 5÷5g ?
- !( = pBf]af6 xg]k]fOf ; Da6wl :t/ / lj j /Of M  
-s\_ v] hfgl kfgl (Waste Water Effluent), kl/dfOf -b]gs\_  
-v\_ v] hfg]7f] kbfy{(Solid Waste), kl/dfOf -b]gs\_  
-u\_ j fo' k]fOf
- @ = k]fOf / /f\$yfd ug]pkfosf]lj :t] lj j /Of M  
-s\_ v] hfgl kfglsf]pkrf/ (Treatment), s; /l ug]xf]vhfpg].  
-v\_ 0^oP06 sxfs; /l 5f\$g] ?  
-u\_ 0^oP06sf]uOf:t/ g] u= @@( leq xg]÷ gxg] ?  
-3\_ ; flh8 j]6 l8:k]hn sxfs; /l ug] ?  
-^\_ j fo' k]fOfsf]/f\$yfd s; /l ug] ?  
-!\_ lrDgl xg]eP prf0{M  
-@\_ j fo' k]fOf lgo6qOf ug]sg}pks/Ofx? k]f] ul/g]eP ; f]sf]lj j /Of M  
-r\_ k]f] xg]/f; folgs kbfy{?sf]lj j /Of M  
-5\_ xflgsf/s (Hazardous) /; fogx?sf]kl/rfng ug]lj lw M  
-h\_ k]fOf /f\$yfd ug]cf]t/s pkfox? cj nDag ug]af/\$f]lj j /Of M  
-!\_ k]f]g (Recycling)  
-@\_ j f0{k\$S6 (By-Product) sf]kg]M k]f]
- @! = o; b/vf:tdf n]vPsf]; a}s/ix? ; lo xg sg}s/f e]f 7x/]f sfgg adf]hd ; x]f a]e]p]f .

**zt? kngf af/]M**

- ! = ; f] ; lwof/ / 5/ l5d\$nf0{j fwf gk%of0 pBf] ; ~rfng ug]5' .
- @ = pBf] ; ~rfng ubf{j ftj /Of k]fOf xg lbg]5g .
- # = sf]on]dfu u/\$f]lj j /Of / tYofix? dfu\$]j vt pknAw u/fg]5' .
- \$ = pBf] btf{ubf{ls6fg ul/Ps}:yfgdf pBf] ; ~rfng ug]5' .
- % = pBf] btf{ubf{ls6fg ul/Psf]p2]o lj k/lt sfd ug]5g .
- ^ = cfo lgsfoaf6 ; d] cgdlt lng'kg]eP cgdlt ln0{sfo{; ~rfng ug]5' .
- & = cgdlt kqdf p]ny ePsf zt? kngf ug]5' .

k/f 7ifgf M \_\_\_\_\_  
ej blo

\_\_\_\_\_

-b/vf: tj fnfsf]; lx5fk\_

b/vf: tj fnfsf]gfd M

ldlt M

kifg g=M

^ofS; g=M

**; nlg ug{kq]sfuhftx?**

s\_ :sld .

v\_ lgj fssf]gful/stfsf]kpfloft k|tlnk .

u\_ IEE/EIA k|tj f]g .

3\_ ; femf/L knd{eP ; femf/L salnotgdf .

<sup>a</sup> \_ kf= ln= ÷ k= ln= eP kpw kq, lgodfjnl, sDkgl btf{kpf0f kq ; d]sf]k|tlnk .

:sldsfljgdgf

kl/ofhgfsf]ems

!= kl/ofhgfsf]gfd M  
 @= 7jrgf M  
 #= pTkfbg lfdtf M  
 \$= pTkfbg xg]j :t'M  
 %= j flif\$ sfd ug]; do M -b]gs== 306f, j flif\$ == lbg\_  
 ^= sh kFl nufgl M                    ?=  
   -s\_ l:y/ kFl ?=  
   -v\_ rfn'kFl ?=  
   -u\_ sh kFl ?=  
 &= lj Qlo ; :yfaf6 COf ; xof]j ?=  
   -s\_ l:y/ kFl df ?=  
   -v\_ rfn'kFl df ?=  
 \*= nufgl sf]kl]tkm M  
   -s\_ sh kFl nufgl df ===== kl]tzt  
   -v\_ :j nufut Olsj 6ldf ===== kl]tzt  
 (= kf/lj Gb' -a\$ Oeg kj f066\_  
   -s\_ kl]tzt df  
   -v\_ dNodf  
 !=) = /f]huf/l  
   -s\_ k]o]f /f]huf/l  
   -v\_ ck]o]f /f]huf/l  
 !! = u] dg]krf                    ?=  
   -s\_ j flif\$ pTkfbg lj qmlaf6 ?=  
   -v\_ j flif\$ pTkfbg vr{?=  
 !@ = dNo clea]4

:sldsfl]jj/of

l:y/ kFl

!= h]uf l]q]km -/]k]l, j = lkm= j f ju6]6/df\_ k]r]nt b/  
 @ = lgd]f  
   -s\_ sf/vfgf 3/  
     l]q]km, lgd]f]sf]l]sl; d, ?]k]m]sf]l]sl; d  
   -v\_           sfo]f]no 3/  
     l]q]km, lgd]f]sf]l]sl; d, ?]k]m]sf]l]sl; d  
   -u\_           uf]fd

```

lgdf@sf]lsl; d, ?lkm^sf]lsl; d
-3_ 9n, kvf@, rNxf]e$! cflb
-a_ s, v, u, df lj B'tls/of cfj Zostf cg'; f/
-lgdf@sf]% kltzt yk_
3/ / hlufsf]l:y/ kFl ?= ===
#= dZlg/L, knf06, cfhf/ pks/of M
-e#f/, s/, nfut adf]hd / 9jfgl, h8fg tyf lj B'tls/of pBfu :yfkf xg]:yfg / lsl; d cg'; f/ a9ldf *
kltzt_
s_ v_ u_ 3_
$= knlg{/ tyf lkn6:r/
%= pBfudf nufgl ug{cl3sf]vr{
-sh kFl nufglsf]cgkftdf / ! k+z= ga9g]u/l Joj xfl/s vr{dfq_
^= pBfu ; -rfng xg cl3sf]vr{M
-j flif$ ptkfbg vr$]cgkftdf ! k+z= df ga9g]u/l Joj xfl/s vr{dfq_
sh l:y/ kFl (Total Fixed Capital) ?= =====

```

**rfn'kFl**

```

!= sRrfdn df]bft -k]h$6sf]k$[t cg'; f/ Joj xfl/s xg' kgI_
lbg =====
@= kZ]vgdf nflg]; do -sh j flif$ ptkfbg vr{df %xf; s$ /sd / Jofh afx$_.
lbg =====
#= tof/L ; fdg df]bft -sh j flif$ ptkfbg vr{df %xf; s$ /sd / Jofh afx$_.
lbg =====
$= pwf/f]f /xg]cj lw -sh j flif$ ptkfbg vr{df %xf; s$ /sd / Jofh afx$_.
lbg =====
sh rfn'kFl (Total Working Capital)
sh kFl nufgl (Total Investment)
-s_ sh l:y/ kFl M
-v_ sh rfn'kFl M

```

**j flif\$ ptkfbg vr{-k@f{ljj/of\_**

```

!= %xf; s$
-s_ sf/vfgf / c6o lgdf@f % k+z=
-v_ d]zg/L, knf6 cfhf/, pks/of !) k+z=
-u_ knlg{/ tyf lkn6:r/, eQsn @) k+z=
@= aldf -l:y/ kFl df hlufsf]/sd afx$_. ! kltzt
#= Jofh [bl3$fnlg Cof -l:y/ kFlsf]&% k+z= df_ ?= ===== sf]!^ k+z= n]
$= Joj :yfkf sd{/l tyf c6o ck]olf hgziQm
-s_

```

-v\_  
 -u\_  
 %= sfofho tyf cfo vr{  
 -clkm ; fdfg, d; ncb, 5kf0{ tf/ l6s6, dx; h b:t/, lj 1fkg, ; ef ; df/fx, hnkfg, edof tyf blgs eOf  
 ; d] ; ef/ ejgsf]dfq / cfo Joj :yfkq vr{dfq\_  
 ^= nyfk/lifof  
 -pBf]sf]lsl; d x]l Joj xfl/s kfl/>lds\_  
 sh l:y/ vr{(Total Fixed Cost)  
 &= sRrfdfn  
 -s\_  
 -v\_  
 -u\_  
 \*= sfdbf/, k]oIf hgziQm  
 -fo]td kfl/>lds tyf Hofnfdg g36f0{  
 -s\_  
 -v\_  
 -u\_  
 (= pTkfbg tyf cfo vr{-lj Bt, 06wg, kfgl, dl]zg/l dd{ ; ef/ j if{lbq leq vr{xg]; fdfg / cfo pTkfbg  
 vr{  
 != Joh [clksfnlg Cof -rfn' kflsf]%) k+z= df\_ ?= sf] k+z= n]  
 sh rn vr{(Total Variable Cost)  
 sh j flif\$ vr{?=  
 cfbfgl -pTkfbg tyf lj qnl lj t/of k]6k dNodf\_  
 u| dgfknf ?= =====  
 -s\_ j flif\$ cfbfgl ?= =====  
 -v\_ j flif\$ pTkfbg vr{ ?= =====  
 nufglsf]k|tkm  
 sh kflsf]nufglsf]k|tzt  
 :j nfutsf](Equity) k|tzt

**lgj ]ssf]gfd M**

**b:tvt M**

**7]fgf M**

**ldlt M**

>l % sf]; /sf/

### 3/ħ' tyf ; fgf pBfŭ ljeŭ -bt{ / 0hfht zfvŭ

ldlt M

**ljifo M** ===== **pBfŭsf]cgdlt kq .**

>l =====

pkoQm ; DaGwdf tkf0h]===== df ===== pBfŭ :yfkgy{cgdlt kŭktsf]nflu kž  
ug{ePsf]b/vf:t kž xBf cgdlt kŭfg ug[lg0f0fg; f/ of]cgdlt kq kŭfg ul/Psf]5 . lgDg lnltv zt{?  
clgj fo{?kdf kŭngf gePdf hg; S}avt klg cgdlt vf/ħ ug{; lsg]5 .

#### zt{?

!_	pBfŭsf]ls; d M	@_	pBfŭsf]j u{
#_	l:y/ kŭl M ?= ==		rfn' kŭl ? =====
\$_	pBfŭ /xg]:yfg M lhNnf	uf=	lj= ; =g= kf= ===== c~rn

%\_ pBfŭsf]p2ž0 / j flifš pTkfbg lfdtf M lz^6sf]cfwf/df  
pTkfbg ul/g]; fdg÷kl/df0f

!=

@=

^\_ :jls[t lz^6 ; Wof M

&\_ cfj Zos lj B't zIQm M

\*\_ cfj Zos kg]sf]f dfn M j flifš kl/df0f

( cgdlt kq kPsf]#% lbg leq kŭlnt sfgŭ adf]hd pBfŭ bt{ug{cfj ŭg ug{kqŭ .

!)\_ pBfŭsf ; a}sfdbf/ / sdf/lx? gkŭnl gful/s xg' kgŭ, t/ blf sfdbf/ / Joj:yfkssf kbsf nflu  
gkŭnl sdf/l gkŭ0{tflnd lbP/ blf hgziQm tof/ ug{cfj Zos k/]>d ljeŭsf]cgdlt lnP/ pQm ljeŭfun]  
tŭsl lbPsf]cj lw; Ddsf nflu dfq lj bžl gful/snf0{to:tf kbdf /fvg kf0gŭ .

!!\_ lj bžl nufgl tyf kŭlj lws ; DaGwl Pŭ, @)\$ ( df cgdlt lng' kg]elg tŭl]sPsf lj ifox?df o; ljeŭsf]kŭ{  
:jls[t kŭt ug{clgj fo{xgŭ .

!@\_ pBfŭsf]kg/]yfg, cfwlg]ss/of, lj lj lws/of jf lj :tf/ ugŭsf]nflu o; ljeŭsf]kŭ{:jls[t lng' clgj fo{  
xgŭ .

!#\_ c?nf0{kl/ dsf{gkg]u/l / jftj /of blift gxg]u/l pBfŭ ; ~rfng ug{kqŭ .

!\$\_ cgdlt kq kŭt u/]kl5 pBfŭ ; ~rfng geP; Dd k]oŭ #:# dlxgdf :yfkgy{ePsf]kŭlt kl]tj ŭg o;  
ljeŭsf]bt{ / 0hfht zfvdf k7fpg' kgŭ .

!%\_ pBfŭ rfn' eP kl5 o; ljeŭsf] tVof l zfvdf dfl; s sfo{kŭlt / pTkfbg lj j /of ; DaGwl kl]tj ŭg  
clgj fo{?kdf kž ug{kqŭ . l; hgn jf cŭo sf/0fn]aŭb /xŭsf]eP sf/of vhf0{; ŭgf ug{kqŭ . cŭoyf  
sfgŭ adf]hd sf/jxl xgŭ .

!^\_ pBfŭ :yfkf ug[sfo{^ dlxgf leq z? gu/đf / tkf0ŋ]kž ug{ePsf]sfo{ofŋgf adfŋhd =====  
 dlxgf leq pBfŭ :yfkf u/l ;-rfng gu/đf w/fŋl jfktsf]/sd hkmt u/l 0hfht vf/ŋ ul/g]5 . sg}  
 sf/0faz ; f]adfŋhd sfo{xg g; sđf o; ljefuaf6 Dofb yksf]:jLs[t lng'kgđ .

!& kđQ cgdlt cg; f/ sfo{gePsf]/ pknAw u/f0Psf]kl/jTo{lj bžl dbf tyf cŋo ; xlnotx?sf]b?kofŭ  
 ePsf]kf0Pdf cfž Jo= Pđ, @)\$ ( sf]bkrf @% adfŋhd sf/j fxl xgđ .

!\*\_ ljzŋ zt{  
 S\_  
 V\_  
 u\_

**afŭfy{M**

>l pBfŭ kžfzg bt{ / 0hfht zfvf, 3/ŋ' tyf ; fgf pBfŭ ljefu  
 >l tYofŋ 0sf0, 3/ŋ' tyf ; fgf pBfŭ ljefu  
 >l cfž kž zfvf, 3/ŋ' tyf ; fgf pBfŭ ljefu  
 >l s/ sf0fŋo, =====  
 >l 3/ŋ' tyf ; fgf pBfŭ sf0fŋo÷; ldt, =====

sfo{ofhgf]9fFf

cg' rL !#  
ldlt M

>l dxf-lgbz'slo"  
3/h' tyf ; fgf pBf] l j efu  
lqk'Zj /, sf7df08f):

lj ifo M sfo{ofhgf kZ u/\$f]

dxfl]o,

d]f]x]fdln] ===== df =====  
pBf] :yfk]f ug{c]gd]ltsf]nflu b/vf:t lbP cg' f/ Ohfht lbg]lg0f6 ePsf]x]Bf k|tflj t pBf]sf]=====  
dlxgdf ul/g]sfo{ofhgf kZ u/\$f]u/\$f 5÷5f):  
sfo{ofhgf cg' f/ p]Mnlvt ; do leq pBf] ; ~rfng gu/d]f w/f6] afktsf]/sd hkmt u/l c]gd]l kq  
vf/h u/]klg d]f]x]fd]d]h/l 5 .

k]y]d # dlxgdf ul/g]sfo{

!=

@=

#=

b]f]f]# dlxgdf ul/g]sfo{

!=

@=

#=

t]f]f]# dlxgdf ul/g]sfo{

!=

@=

#=

r]y]f]# dlxgdf ul/g]sfo{

!=

@=

#=

lgj]ss]gfd M

b:tv]t M

7]f]gf M

ldlt M

gf6 M cfj Zostf cg' f/ c? cj lw -q6]f] ; s\_ yk ug{ ; lsg].

>l % sf]; /sf/  
pBfŷ dGqfno

3/ŷ' tyf ; fgf pBfŷ lj efu

**3/ŷ' tyf ; fgf pBfŷ sfoffo, =====**

pBfŷ /x\$]:y nsf]g\$; f

**pBfŷ lg/Llf0f kn/fd**

**cj lw =====**

pBfŷ ; ~rfng ldt M  
pBfŷsf]gfd M  
pBfŷklt sf]gfd M  
/hi6/ ldt / g=M

c-rn M  
lhNnf M  
g= kf=uf= lj = ; = M  
j 8f M

kFl M  
:yl/ kFl ?= M  
rfn' kFl ?= M  
; f0gaf\$ {ePsf}gePsf]M

kφŷ u/\$f]lj B't zIQm M  
j flif\$ pTkfbg lfdtf M

Ans g=M

:sddf ePsf]džlg cŷf/					xfn dŷbf džlg cŷf/				sRrf kbŷy{ j flif\$ lj j /0f			pTkfbg lj j /0f			s]knot	
lj j /0f	pTkfbg lfdtf	; Wof	dNo	lj B't \ ls=jf=	lj j /0f	pTkfbg lfdtf	; Wof	lj B't \ s=jf=	lj j /0f	vkt kl/dfor	afl	j :tsf] gfd	kl/dfor	laqil		afl

;ljwf pkef] u/\$f}gu/\$f]

u/\$f] √	gu/\$f] x		
cfos/	laqms/	e+f/	cGt zNs

sfdbf/sf]lj j /0f / ; Wof

sh /f]huf/ ; Wof M

b f	cw f	cb f	g kfnl	lj b z	hDdf

!= 0hfht=-btf{x} pl|n|vt zt{x? kfngf eP gePsf]af/]M

sd{f/l

k z ; lgs	k l j lws	hDdf

@= pBf]l|sf]egf0{M

#= sf/vfgf :yn ; DaGwdf M

-s\_ gl|h j f ef8df M

-v\_ sf/vfgf e|g gof{k/fgf]M

-u\_ k/fgf]eP klxnf sg sfddf ; f]ejg k|f]u ePsf]lyof]M

\$= lg/l|fssf]dGtJo M

%= d|z|g c|f]f/ ; DaGwdf M

-s\_ vl/b ldt M

-v\_ 0GEj f0; gDj / M

-u\_ d|z|g lgdf{f ePsf]dhs M

-3\_ vl/b dNo M

-a\_ cGo M

lg/l|f0f ldt M

lg/l|fssf]gfd / kb M

lg/l|fssf]b:tvf M

# pBfj btffjlgj dg krf/d -v\_

>l dxf-lgbzsho,"  
3/h' tyf ; fgf pBfj lje fu,  
lqk/zj /, sf7df08fj-gkfn

## dxfo,

lgdg lnvt lj j/of adffhdsf]pBfj :ykgf ug{of]lgj dg u/\$f]5' ÷u/\$f 5f} kž ul/Psf]lj j/of 7ls 5 .  
emf 7x/df kflnt sfgg adffhd ; xff aemppff .

!= pBfj]sf]gfd M

@= p2fo M

#= pBfj /xg]:yfg M

-s\_ c-rn M

-v\_ lhNnf M

-u\_ gu/÷ufpff

-3\_ jf8{g÷:ls g=M

\$= pBfj]sf]:t/ M - Ö IrGx nufpg]

-s\_ 3/h' - \_ -v\_ ; fgf - \_

%= pBfj]sf]sfggl ?k -knd{ M - Ö IrGx nufpg]

-s\_ lghl - \_ -v\_ ; femff/l - \_ -u\_ kf= ln= - \_ -3\_ klAns ln= sDkgl - \_

^= pBfj]sf]ju{M - Ö IrGx nufpg]

-s\_ pTkfbgdhs - \_ -v\_ phf@hs - \_ -u\_ sf]f tyf jgho - \_ -3\_ vlgh -

-a\_ ko6g - \_ -r\_ ; jf - \_ -5\_ lgdff - \_

&= kfl nufgl M

-s\_ l:y/ kfl dNo sIkrot

hdlg M

ejg M

d]zg cfhf/ M

knlg{/ lkn6:r/ M

c6o M

hDdf M

-v\_ rfn' kfl M

-u\_ sh kfl M

&= kfl tyf lfdtf a[4 eP -kfl a[4sf]nflu\_

l:y/ kfl

hdlg

ejg d]lg cfhf/

c6o

hDdf

; fljs

k|tflj t

sh kfl ?=

!\_ l:y/ kfl ?=

@\_ rfn' kfl ?=

\*= pBf[af6 xg]pTkfbg÷; ]fsf]lj j /0f

j :t' pTkfbg÷; ]f 0sf0

j flif\$ lfdtf

dNo

!\_

@\_

#\_

\$\_

\*=

pBf[af6 xg]pTkfbg÷; ]fsf]lj j /0f -j flif\$ -lfdtf a[4sf]nflu\_

: flj s

k|tfljt

j :t'; ]f 0sf0  
j flif\$ lfdtf

j flif\$ lfdtf

j :t'; ]f 0sf0

!=

!=

@=

@=

#=

#=

\$=

\$=

\*@

kfl a[4÷lfdtf a[4sf]sf/0f

!=

@=

#=

\$=

(= sRrf kbfsf]lj j /0f

j flif\$ kl/df0f

dNo

!\_

@\_

#\_

\$\_

%\_

!)= dlz g pks/0f

qm; ÷	lj j /0f	; Wof	k t 0sf0{ dNo	hDdf dNo	lj B't zIQm -ls-j f=	>fj
!=						
@=						
		hDdf				

!!= hgziQmM kflj lws M

ckflj lws M

cGo M

hDdf ; Wof

M

!@= lgj]ssf]k'f gfd / 7]fgf  
afh\$]gfd

afasf]gfd

!\_

@\_

#\_

lgj hsssf]kqfrf/sf]7ufgf M

lhNnf M

g= kf=:uf= lj= ; = M-

j 8f

g=M-

Ans g=M

krfj g=M

^ofS; g=M

!#=- ; Dk& JolQmsf]gfd 7ufgf eP krfj g=M; d]j

!\$= zt{x? krfj af/]M-

!= ; fW ; lwof/ / 5/ l5d\$nf0{j fwf gk%of0 pBfj ; -rfng ug5'.

@= pBfj ; -rfng ubf{j ftj /of kbf0f xg lbg]5g .

#= sfof{on]dfu u/\$f]lj j /of / tYof{x? dfu\$]j vt pknAw u/fpg]5'.

\$= pBfj btf{ubf{ls6fg ul/Ps}:yfgdf pBfj ; -rfng ug5'.

%= pBfj btf{ubf{ls6fg ul/Psf]p2]o lj k/Lt sf d ug]5g .

^= c6o lgsfoaf6 ; d]j cgdlt lng' kg]eP cgdlt ln0{sfo{; -rfng ug5'.

&= pBfj ; -rfng ubf{afndhb/ kbfj ug]5g .

\*= o; }gdfaf6 o; cl3 csf]pBfj btf{e}; s\$]b]vPdf o; pBf]sf]gfd kl/j t6 ul/g5 .

!%= pBfj /xg]:yfgsf]nf\$zjg

ldlt M

lgj hsssf]; xl M-

cf]fsf]5fk M-

bfofF j f6f

--	--

gf6 M !\_ sg}dxndf lj j /of gc6fPdf 5\$}sfuhdf n]v ; mUg ug{xrf]f .

@\_ of]lgj h; fy lgDg sfuhftx? ; mUg ug{xkg5 .

s\_ ; Dal6wt JolQmsf]gful/stfsf]kdf]0ft kl]tlnk .

v\_ kf= ln= j f klAns ln= sf]xsdf k6w kq, lgodfj nl, sDkgl btf\$]kdf]0f kqs]kdf]0ft kl]tlnk .

u\_ cgdlt lng' kg]j f IEE/EIA u/fpg' kg]pBf]sf]xsdf cgdlt kq j f IEE/EIA l:j s[t kq / l:sd ; d]j k} ug{xkg5 .

3\_ ; fe]bf/L kmd{btf\$]nflu ; fe]bf/L salnotgdf .

cg' PL !^

>l % sf] ; /sf/  
pBf]u d6qfno  
3/h' tyf ; fgf pBf]u lj efu  
3/h' tyf ; fgf pBf]u sfofhoo÷; ldltsf]sfofhoo

kfkmg=3=p=lj =

**kdfof kq**

>l ===== kmd{ ; Dat\@) = ; fn == dlxgf == ut]/fh = df kf0e0 kmd{/lhi6zg P0, @)!\$  
adfl]hd /lhi6/ u/l of]kdfof-kq lb0Psf]5 .

kfk06/sf]gfd M

7u]fgf M

kmdsf]7u]fgf M

kFL ? M

l:y/M ==

rfn' kFL ?= ==

p2Zoo M

j flif\$ pTkfbg lfdtf M

lj B't zIQm-lsnf]f6\_ M

of]pBf]u cfBf]us Joj ; fo P0, @)\$ ( sf] bknf == / ; fxl P0sf] bknf == cg' f/ 3/h'; fgf  
pBf]u c6tu\$ ; fxl P0sf] bknf !) adfl]hd btf{u/Psf]5 .

ldlt M=====

; xl M-

kb M-

**gjls/of u/\$f]kdfof**

gjls/of ug]sfofhosf]gfd	gjls/of u/\$f]cj lw	gjls/of b:tsf]ef]/ g- ldt	b:tvtt

gf0 M-of]kdfofkq cfiff9 d; f6t ; Ddnf0{axfn x65 . cfiff9 d; f6t cuf]8 ; fnsf]! k6s nflg]gjls/of b:t' kf0e0  
kmd{/lhi6zg P0 lgod cg' f/ lt/L ; Dal6wt 3/h' tyf ; fgf pBf]u lj efu jf c6tu\$ sfofhodf gjls/of  
u/fpg' k5{. of]kdfofkqdf n]vPsf]p2Zoo afx\$sf]sfd ug{x60 . gjls/of u/fpg NofpBf of]kdfof kq ; fy}  
ln0 cfp' k5{. olx kdfof kqdf ; Dal6wt sfofhoaf6 gjls/of ePsf]lg; ; f kfp]5 . Dofb leq gjls/of  
gePdf pBf]u vf/h xg ; Sg\$ .

**;ljwf tyf ; xlnotx? M**

s\_ cfBf]us Joj ; fo P0, @)\$ ( sf] bknf !% / !^ cg' f/ kfp] ; ljwf tyf ; xlnot pknAw xg\$ .

**pBf]un]kngf ug{kq]zt\$? M**

!= pBf]u ; rfn] ug{cfj Zos kg] ; Dk0f{sRrf kb]y{pBf]un]:j o-0oj :yf ug{kq\$ .

@= pBf]usf] ; f0gaf\${/ kmdsf]kof8df /lhi6zg gDa/ clgj fo{?kdf /Vg' kg\$ .

#= gjf fnsnf0{pBf]usf]sfddf ; mlg u/fpg kf0g]50 .

\$= 5/ l5d\$ s; hf0{kl/ dsf{afwf gkg]u/l pBf]u ; -rfng ug{kq\$ .

%= /fql lz`6 ; #fng ug{kgIePdf kJ{:jls[t lnP/ dfq ; -rfng ug{; lsg\$ .  
^= pBfUnf0{cfj Zos kg[hgzlOm gkfnl gful/saf6}kl't{ug{kg\$ . ljbzl hgziOm ljgf pBfU ; -rfng  
xg g; Sg]ePdf >d ljeFu ; d]sf]k]{:jls[t lnP/ dfq sfddf nufpg ; lsg\$ .  
&= pBfU]sf]lj :tf/, lj lj lws/Of jf :t/ kl/j tG ubf{k]{:jls[t kl't ug{kg\$ .  
\*= pBfU btf{ePsf]^ dlxgf leq jf sfo{of]hgf cg; f/ cG Doib tfl]sPsf]f ; f]leq ; -rfng xg g; s]f  
Doib yk u/fpg' kg\$ .  
(= pBfU ; -rfng ubf{]ftfj /Of k]fif0f xg glbg]ul/ cfj Zos Joj :yf ug{kg\$ .  
!) tfl]sPsf] zt{? kfngf gePsf]f jf kbQ ; ljwf tyf ; xlnotx? b?kofU ePsf] kfOPdf cfBf]us  
Joj ; fo Pq, @)\$ ( sf]bkif @% cg; f/ sfo]fxl xg\$ .  
!!= pBfU]sf]j flif\$ k]lt lj j /Of cfly\$ j if{Joltt ePsf]!% lbg leq lgoldt ?kdf kZ ug{kg\$ . ; fy}  
lj efua6 dfu ePsf pBfU; u ; DalGwt lj j /Ofx? oyf ; dodf pknAw u/fpg' kg\$ .  
!@= pBfU ; -rfng ubf{pBfUdf e0/x\$]sf]sf] sf/jfxlnf0{dh ; 8saf6 gb]vg]Joj :yf ldnfpg kg].  
!#= k]Int sfGg adf]hdsf]l/t k]of0{pBfU a6b u/]f To; /l a6b u/]f] ; ft lbg leq ; f]sf]hfgsf/l  
lj efunf0{; d] lbg' kg\$ .  
!\$= pBfU btf{kdf0fkqdf p]n]vt p2]o lj kl/t sfo{ug{kf0g]5G .  
!%= o; }gfda6 o; cl3 csf]pBfU btf{e}; s\$]b]vPdf o; pBfU]sf]gfd kl/j tG ug{kg\$ .  
!^= dfly p]n]y eP cg; f/sf zt{? kfngf gu/]f jf k]lt lj j /Of k]t gePdf pBfUn]kfg]; ljwf tyf  
; xlnotx? pknAw u/f0g]5G .  
!&= pkeQmf ; Af0f Pq @)%\$ cg; f/ sfo{ug{kg]5 .  
!\*= ljz] zt{  
s\_  
v\_  
u\_

>l % sf]; /sf/

pBfũ d6qfno

### 3/ħ' tyf ; fgf pBfũ lj efu

k= ; ≠M

r= g≠M

ldlt M

**lj ifo M ~~klkm~~ bt{ul/Psf}kq af/.**

>l =====

tkf0ĥ]l:y/ kĤl ?= ===== / rfn' kĤl ?= ===== ; dĥ sh kĤl ?= ===== nufgl ul/ cĥbĤhl j flifĥ  
?=- ===== a/fa/sf] ===== pĤkfbg ug[p2Ĥon] sĤdbf/ ===== ĥjfg /flv ===== cĤfn =====  
lhĤnf ===== g-kf÷uf=j=; = j 8f g≠===== df pBfũ :yfkgf ug[u/l ===== gĤdsf]kĤkm /lĥi6ĥg  
u/l kĤpFelg lbg' ePsf]lgj ĥg pk/ sfo{fxl xĤf ldt ===== sf]lg0fĥfg; f/ lg0g lnvt ztĥ? kĤngf  
ug{kq[u/l /lĥi6ĥg u/l lbg]elg lg0fĥ ePsf]xĤf tkf0; dĥsf]gĤddf /lĥi6ĥg ePsf]kĤkm g≠===== sf]  
; Ssn kĤf0f kq o; }; fy ; Ĥlg u/l k7Psf]Joxf]f ĥgsgf/ u/f0Psf]5 .

pBfũn]kĤpg]; lj wf tyf ; xlnotx? cĤBf]us Joj ; fo Pĥ, @)\$ ( sf]bkĤf !% / !^ cg' f/ xĥĤ .

### **pBfũn]kĤngf ug{kq]ztĥ? M**

- ! = pBfũ ; Ĥfng ug{cfj Zos kg]; Dk0f{sRrf kbĤy{pBfũn]:j o÷oj :yf ug{kqĤ .
- @ = pBfũsf]; f0gafĤ{/ kĤdĤf]k0f8df /lĥi6ĥg g0a/ clgj fo{?kdf /fv' kgĤ .
- # = gfj fnsnf0{pBfũsf]sĤddf ; Ĥlg u/fpg kĤ0g]5ĥ .
- \$ = 5/ l5dĤ s; ĥf0{kl/ dsf{afwf gkg[u/l pBfũ ; -rfng ug{kqĤ .
- % = /qL lz^6 ; Ĥfng ug{kq]ePdf kĥ{:jls[t lnP/ dfq ; -rfng ug{; lsgĤ .
- ^ = pBfũnf0{cfj Zos kg]ĥgzl0m gĤfnl gful/saf6}kĤt{ug{kqĤ . lj bĥl ĥgzl0m lj gf pBfũ ; -rfng  
xĥ g; Sg]ePdf >d lj efu ; dĥsf]kĥ{:jls[t lnP/ dfq sĤddf nufpg ; lsgĤ .
- & = pBfũsf]lj :tf/, lj lj lws/of jf :t/ kl/j tĥ ubf{kĥ{:jls[t kĤt ug{kqĤ .
- \* = pBfũ bt{ePsf]^ dlxgf leq jf sfo{ofĥgf cg' f/ cĥ0 Ĥofb tĤ]sPsfĤf ; f]leq ; -rfng xĥ g; sĤf  
Ĥofb yk u/fpg' kgĤ .
- ( = pBfũ ; -rfng ubf{j ftj /of kĤf0f xĥ g]bg]ul/ cfj Zos Joj :yf ug{kqĤ .
- !) = tĤ]sPsf] ztĥ? kĤngf gePsfĤf jf kĤ0 ; lj wf tyf ; xlnotx? b?kofũ ePsf] kĤ0Pdf cĤBf]us  
Joj ; fo Pĥ, @)\$ ( sf]bkĤf @% cg' f/ sfo{fxl ul/gĤ .
- !! = pBfũsf]j flifĥ kĤlt lj j /of cĤlyĥ j if{Joltt ePsf]!% lbg leq lgoldt ?kdf kĥ ug{kqĤ . ; fy]  
lj efuaf6 dfu ePsf pBfũ; Ĥ ; Ĥalĥwt lj j /ofx? oyf ; Ĥodf pknĤw u/fpg' kgĤ .
- !@ = pBfũ ; -rfng ubf{pBfũdf e0/xĤf]sĤ sf/j fxlĤf0{dĥ ; 8saf6 gb]vg]Joj :yf ldnfpg kg].
- !# = kĤInt sfgĥ adĤ]Ĥdsf]l/t kĤof0{pBfũ aĤb u/Ĥf To; /l aĤb u/Ĥf]; ft lbg leq ; f]sf]ĥgsgf/l  
lj efunf0; dĥ lbg' kgĤ .
- !\$ = pBfũ bt{kĤf0fkqdf pĤn]vt p2Ĥo lj kl/t sfo{ug{kf0g]5ĥ .
- !% = o; }gĤdaf6 o; cl3 csf]pBfũ bt{e}; sĤf]b]vPdf o; pBfũsf]gĤd kl/j tĥ ug{kqĤ .
- !^ = dĤly pĤn]y eP cg' f/sf ztĥ? kĤngf gu/Ĥf jf kĤlt lj j /of kĤt gePdf pBfũn]kĤpg]; lj wf tyf  
; xlnotx? pknĤw u/f0g]5ĥ .
- !& = pkeĤmf ; Ĥf0f Pĥ @)\$ cg' f/ sfo{ug{kq]5 .

!&= ljzif zt{

s\_

v\_

u\_

afififif

!\_ >l >d sfoffo, =====

@\_ >l laqms/ tyf cgtmNs sfoffo, =====

#\_ >l s/ sfoffo, =====

\$\_ >l 3/h' tyf ; fgf pBfif sfoffo, ===== . M- k|tt pBfifsf]; Ssn krf0n o; }; fy ; nlg 5 .

%\_ =====

cg' l !\*

>l % sf] ; /sf/  
pBf] d6qfno  
3/h' tyf ; fgf pBf] lj efu

; fkm b= k+ k= g+

**kdf of kq**

>l ===== gfdsf] ; fe]bf/L kmd{ o; lj efudf g+ =====df ldt ===== df  
; fe]bf/L Pq, @)@ cg' f/ btf{ePsf]h]of]kdf ofkq lb0Psf]5 .

; fe]bf/x?sf]gfd M

7]fgf M

kmdsf]7]fgf M

kfl ? M

l:y/M =====

rfn' kfl ?= =====

p2]o M

j flif\$ pTkfbg lfdtf M

lj B't zIQm-lsnf]f6\_ M

of] pBf] cfB]us Joj ; fo Pq, @)\$ ( sf] bknf ===== / ; fxl Pqsf] bknf ===== cg' f/ 3/h'; fgf  
pBf] cftuf ; fxl Pqsf] bknf !) adf]hd btf{ul/Psf]5 .

ldt M=====

; xl-

kbM-

**gjlS/of u/\$f]kdf of**

gjlS/of ug]sf ofhosf]gfd	gjlS/of u/\$f]cj lw	gjlS/of b:t\$]ef] / g+ ldt	b:tv

gf M-of]kdf ofkq cfiff9 d; f6t ; Ddnf0{axfn x65 . cfiff9 d; f6t cuf]8 ; fnsf]! k6s nflg]gjlS/of b:t/ k]0e  
kmd{/lhi6zg Pq lgod cg' f/ lt/L ; Dal6wt 3/h' tyf ; fgf pBf] lj efu jf cftuf sf ofhodf gjlS/of  
u/fpg' k5{. of]kdf ofkqdf n]vPsf]p2]o afx\$sf]sfd ug{x6q . gjlS/of u/fpg NofpB] of]kdf of kq ; fy}  
ln0 c]pg' k5{. olx kdf of kqdf ; Dal6wt sf ofhoaf6 gjlS/of ePsf]lg.; f k]pg]5 . Dofb leq gjlS/of  
gePdf pBf] vf/h xg ; Sg\$ .

; ljwf tyf ; xlnotx? M

s\_ cfB]us Joj ; fo Pq, @)\$ ( sf] bknf !% / !^ cg' f/ k]pg] ; lj wf tyf ; xlnot pknAw xg\$ .

**pBf]n]kngf ug{k]g]zt\$? M**

! = pBf] ; #fng ug{cfj Zos kg] ; DkOf{sRrf kb]y{pBf]n] ; j o+oj :yf ug{k]g\$ .

@ = pBf]usf] ; f0gaf\${/ kmdsf]kof8df /lhi6zg gDa/ clgj fo{?kdf /Vg' kg\$ .

#= gfjfnfnf0{pBf]usf]sfddf ; mlg u/fpg kf0g]5g} .  
\$= 5/ 15d\$ s; hf0{kl/ dsf{afwf gkg[u/l pBf] ; -rfng ug{kg\$ .  
%= /fql lz^6 ; #fng ug{kg[ePdf k] { :jls[t lnP/ dfq ; -rfng ug{ ; lsg\$ .  
^= pBf]unf0{cfj Zos kg[hgzlQm gkfnl gful/saf6}kl't{ug{kg\$ . lj bzl hgziQm lj gf pBf] ; -rfng xg g; Sg]ePdf >d lj efu ; d]sf]k] { :jls[t lnP/ dfq sfddf nufpg ; lsg\$ .  
&= pBf]usf]lj :tf/, lj lj lws/of jf :t/ kl/j t6 ubf{k] { :jls[t kkt ug{kg\$ .  
\*= pBf] btfePsf]^ dlxgf leq jf sfo{ofhgf cg; f/ c6o Dofb t]sPsf]f ; f]leq ; -rfng xg g; s]f Dofb yk u/fpg' kg\$ .  
(= pBf] ; -rfng ubf{jftfj /of k]f0f xg glbg]ul/ cfj Zos Joj :yf ug{kg\$ .  
!) t]sPsf] zt{? kfngf gePsf]f jf k]Q ; lj wf tyf ; xlnotx? b?kofi ePsf] kf0Pdf cfBf]us Joj ; fo P6, @)\$ ( sf]bkf @% cg; f/ sfo{fxl ul/g\$ .  
!!= pBf]usf]jflif\$ k]lt lj j /of cfly\$ jif{Joltt ePsf]!% lbg leq lgoldt ?kdf k] ug{kg\$ . ; fy} lj efuaf6 dfu ePsf pBf] ; # ; Dal6wt lj j /ofx? oyf ; dodf pknAw u/fpg' kg\$ .  
!@= pBf] ; -rfng ubf{pBf]df e0/x\$]sf]sf] sf/jfxlnf0{dh ; 8saf6 gb]vg]Joj :yf ldnfpg kg].  
!#= k]Int sfg6 adf]hdsf]l/t k]of0{pBf] a6b u/]f To; /l a6b u/\$f] ; ft lbg leq ; f]sf]hfgsf/l lj efunf0{ ; d] lbg' kg\$ .  
!\$= pBf] btfePsf]kf]kf] p]n]vt p2]o lj kl/t sfo{ug{kf0g]5g} .  
!%= o; }gdfaf6 o; cl3 csf]pBf] btfe}; s\$]b]vPdf o; pBf]usf]gfd kl/j t6 ug{kg\$ .  
!^= dfly p]n]y eP cg; f/sf zt{? kfngf gu/]f jf k]lt lj j /of kkt gePdf pBf]n]k]fpg]; lj wf tyf ; xlnotx? pknAw u/f0g]5g} .  
!&= pke]mf ; Af0f P6 @)%\$ cg; f/ sfo{ug{kf]5 .  
!\*= ljz] zt{  
S\_  
V\_  
u

>l % sf]; /sf/  
pBfũ dġqfno

### 3/h' tyf ; fgf pBfũ lj efu

k= ; #M  
r= g#M

ldlt M

**lj ifo M ; f= km bt{ul/Psf]kq af/].**

>l =====

tkf0ġ]:y/ kĤL ?= ===== / rfn'kĤL ?= ===== ; dġ sh kĤL ?= ===== nufgl ul/ cġbĤL j flifġ  
?= ===== a/fa/sf] ===== pĤkfbg ug]p2Ĥon] sġdbf/ ===== hj fg /flv ===== cĤfn ==  
lhNnf ===== g-kf=uf-lj =; = j8f g# ===== df pBfũ :yfkgf ug] u/L ===== gġdsf] ; f-k#  
/lhi6ġg u/L kfpFelg lbg' ePsf]lg] lbg pk/ sfo]fxl xĤf ldlt ===== sf]lg0f0fg' f/ lgDg lnlvT  
ztġ? kġngf ug]kg]u/L /lhi6ġg u/L lbg]elg lg0f0 ePsf]xĤf tkf0{; dġsf]gġddf /lhi6ġg ePsf] ; f-k#  
g# ===== sf] ; Ssn kġf0f kq o; }; fy ; #lg u/L k7fPsf]Joxf]f hfgsf/L u/f0Psf]5 .

pBfũn]kġpg]; lj wf tyf ; xlnotx? cĤBfũus Joj ; fo Pġ, @)\$( sf]bġmf !% / !^ cg' f/ xġġ .

#### **pBfũn]kġngf ug]kg]ztġ? M**

- ! = pBfũ ; #fng ug]cfj Zos kg] ; Dk0f{sRrf kbŷy{pBfũn]:j o-#oj :yf ug]kgġ .
- @ = pBfũsf] ; f0gafġ{/ kmdġf]k0f8df /lhi6ġg gDa/ clġj fo{?kdf /fv' kgġ .
- # = ġfj fnsnf0{pBfũsf]sġddf ; #lg u/fpg kġ0g]5ġ .
- \$ = 5/ l5dġ s; ġf0{kl/ dsf]afwf gkg]u/L pBfũ ; -rfng ug]kgġ .
- % = /fql lz'6 ; #fng ug]kg]ePdf kġ{:jls[t lnP/ dfq ; -rfng ug] ; lsgġ .
- ^ = pBfũnf0{cfj Zos kg]hgzl0m ġkġnl ġul/saf6}kġt{ug]kgġ . lj bġl hgzl0m lj ġf pBfũ ; -rfng  
xġ g; Sġ]ePdf >d lj efu ; dġsf]kġ{:jls[t lnP/ dfq sġddf nufpg ; lsgġ .
- & = pBfũsf]lj :tf/, lj lj lws/of jf :t/ kl/j tġ ubf{kġ{:jls[t kġt ug]kgġ .
- \* = pBfũ bt{ePsf]^ dlxġ leq jf sfo{of]ġf cg' f/ cġo Doŷb tġ]sPsf]ġf ; f]leq ; -rfng xġ g; sġf  
Doŷb yk u/fpg' kgġ .
- ( = pBfũ ; -rfng ubf{j ftj /of kġf0f xġ ġlbg]ul/ cfj Zos Joj :yf ug]kgġ .
- !) = tġ]sPsf]ztġ? kġngf ġePsf]ġf jf kġ0 ; lj wf tyf ; xlnotx? b?kofũ ePsf] kġ0Pdf cĤBfũus  
Joj ; fo Pġ, @)\$( sf]bġmf @% cg' f/ sfo]fxl ul/gġ .
- !! = pBfũsf]j flifġ kġlt lj j /of cġlyġ j if{Joltt ePsf]!% lbg leq lgoldt ?kdf kġ ug]kgġ . ; fy)  
lj efuaf6 dfu ePsf pBfũ; # ; Dalġwt lj j /ofx? oŷf ; dodf pġnAw u/fpg' kgġ .
- !@ = pBfũ ; -rfng ubf{pBfũdf e0/xġf]sġd sf]j fxl nf0{dh ; 8saf6 ġb]vg]Joj :yf ldnfpg kg].
- !# = kġInt sġġ ad]ġhdsf]l/t kġof0{pBfũ aġb u/ġf To; /L aġb u/ġf]; ft lbg leq ; f]sf]hfgsf/L  
lj efunf0{; dġ lbg' kgġ .
- !\$ = pBfũ bt{kġf0fkqdf pġn]lvT p2Ĥo lj kl/t sfo{ug]kġ0g]5ġ .
- !% = o; }ġdaf6 o; cl3 csf]pBfũ bt{e}; sġf]b]lvPdf o; pBfũsf]ġfd kl/j tġ ug]kgġ .
- !^ = dġly pġn]y eP cg' f/sf ztġ? kġngf ġu/ġf jf kġlt lj j /of kġt ġePdf pBfũn]kġpg]; lj wf tyf  
; xlnotx? pġnAw u/f0g]5ġ .

!&= ljzj zt{

S\_

V\_

u\_

afjfyM

!\_ >l >d sfoffo, =====

@\_ >l laqms/ tyf cGtMNs sfoffo, =====

#\_ >l s/ sfoffo, =====

\$\_ >l 3/h' tyf ; fgf pBfu sfoffo, ===== . M- k|t't pBfu[sf]; Ssn krf0n o; }; fy ; ælg 5 .

%\_ =====

cg' P! @)

>l % sf]; /sf/  
pBf]u d6qfno  
3/h' tyf ; fgf pBf]u lj efu

p= b= k+ k= g+

**kdf0f kq**

>l ===== -k[ ln= cf? Jo= Pq, @)\$ ( adf]hd @)%= ; fn == dlxgf =====  
ut]/fh == df btf{ePsf]xbgn]of]kdf0fkq lb0Psf]5 .

sDkglSf]gfd M-  
pBf]usf]7]f]gf M-  
pBf]usf]:t/ M-  
pBf]usf]j u{M-  
kFl nufgl Ml:y/M == rfn' kFl ?= == sh =====  
pBf]usf]p2]o M-  
j flif\$ pTkfbg lfdtf M-  
lj B't zIQm-lsnf]f6\_ M-

of]pBf]u cf]Bf]us Joj ; fo Pq, @)\$ ( sf]bkrf ===== / bkrf ===== cg' f/ ul/Psf]5 .

ldt M=====

; xLM-  
kbM-

kyd ; #fnsx?sf]gfd / 7]f]gf M-

clws[ kFl M  
hf/L kFl M  
sDkglSf]dVo p2]o M

**;ljwf tyf ;xlnotx? M**

s\_ cf]Bf]us Joj ; fo Pq, @)\$ ( sf]bkrf !% cg' f/ kfgp]; ljwf tyf ; xlnot pknAw xg\$ .

**pBf]un]kfn]g ug{k]z]t? M**

- != sRrf kb]y{:j o+oj :yf ug{k]g\$ .
- @= ; f0gaf\${/ sDkglSf]kof8df /lhi6]zg gDa/ clgj fo{?kdf /fVg' kg\$ .
- #= gfj fnsnf0{pBf]usf]sfddf ; mlg u/fpg kf0g]5g\$ .
- \$= s; h]f0{kl/ dsf{afwf gkg]u/L pBf]u ; ~rfng ug{k]g\$ .
- %= :j]s[t lnP/ dfq /fql lz^6 ; #fng ug{; lsg\$ .
- ^= pBf]unf0{c]j Zos kg]hgziQm g]kfnl gful/saf6}kl't{ug{k]g\$ . lj b]zl hgziQm lj gf pBf]u ; ~rfng xg g; Sg]ePdf >d lj efu ; d]sf]k]j{:j]s[t lnP/ dfq sfddf nufpg ; lsg\$ .
- &= pBf]usf]lj :tf/, lj lj lws/of jf :t/ kl/j t6 ubf{k]j{:j]s[t kl't ug{k]g\$ .
- \*= pBf]u btf{ePsf]^ dlxgf leq jf sfo{of]hg cg' f/ c6o Dofb t]sPsf]df ; f]leq ; ~rfng xg g; s]df Dofb yk u/fpg' kg\$ .

(= pBfŭ ; ~rfng ubf{jftfj/0f kŭf0f xg gfbg]ul/ cfj Zos Joj :yf ug{kgŭ .  
!) tfl]sPsf] ztŭ? kfngf gePsfŭf jf kŭQ ; ljwf tyf ; xlnotx? b?kofŭ ePsf] kfOPdf cfBfŭus  
Joj ; fo Pŭ, @)\$ ( sf]bkrf @% cg' f/ sfo]fxl ul/gŭ .  
!!= pBfŭsf] jflifŭ kŭlt lj j/0f cflyŭ j if{Joltt ePsf] !% lbg leq lgoldt ?kdf kŭ ug{kgŭ . ; fy}  
ljefuaf6 dfu ePsf pBfŭ; ŭ ; Dalŭwt lj j/0fx? oyf ; dodf pknAw u/fpg' kgŭ .  
!@= pBfŭ ; ~rfng ubf{pBfŭdf e0/xŭf]sfd sf/jfxlnf0{dh ; 8saf6 gbl]vg]Joj :yf ldnfpg kgŭ.  
!#= kŭInt sfgŭ adfllhdsf]l/t kŭof0{pBfŭ aŭb u/ŭf To; /l aŭb u/ŭf] ; ft lbg leq ; f]sf]hfgsf/L  
ljefunf0{; dŭ lbg' kgŭ .  
!\$= o; }gfdaf6 o; cl3 csf]pBfŭ btf{e}; sŭf]b]VPdf o; pBfŭsf]gfd kl/j tŭ ug{kgŭ .  
!%= sDkgl /lhi6ŭ/sf]sfofhoaf6 tfl]sPsf ; Dkof{ztŭ? kfngf ug{kgŭ .  
!^= dfly plnŭy eP cg' f/sf ztŭ? kfngf gu/ŭf jf kŭlt lj j/0f kŭt gePdf pBfŭn]kfpq]; ljwf tyf  
; xlnotx? pknAw u/f0g]5ŭ .  
!&= pkeŭrf ; Af0f Pŭ @)%\$ cg' f/ sfo{ug{kgŭ]5 .  
!\*= **ljzŭ zt{**  
S\_  
V\_  
u

cg' P! @!

>l % sf]; /sf/

pBf] dGqfno

### 3/ħ' tyf ; fgf pBf] l] efu

k= ; #M

r= g#M

ldlt M

l] ifo M -k]\_ ln= btf{ul/Psf]af/}

>l =====

tkf0{; d]n]l:y/ kFl ?= ===== / rfn' kFl ?= ===== ; d] sh kFl ?= ===== nufgl ul/ cGbfhl  
j flif\$ ?= ===== a/fa/sf] ===== p]kfbg ug]p2]on] sfdbf/ ===== hjfg /flv ===== c#n  
===== lhlnf ===== g-kf=:uf-lj=: = j 8f g#===== df pBf] :yfkf ug]u/l ===== gfdsf]-k]\_ ln=  
/lhi6]zg u/l kfpFelg lbg' ePsf]lg]bg pk/ sfo]fxl xBf ldt ===== sf]lg0f6fg; f/ lg0g ln]vt  
zt? kngf ug{kg]u/l /lhi6]zg u/l lbg]elg lg0f6 ePsf]xBf tkf0{; d]sf]gddf /lhi6]zg ePsf]k]-  
ln= g#===== sf]; Ssn k]f0f kq o; }; fy ; mlg u/l k7Psf]Joxf]f hfgsf/L u/f0Psf]5 .

pBf]un]kfpq]; l] wf tyf ; xlnotx? cfBf]us Joj ; fo Pq, @)\$ ( sf]bkf !% / !^ cg' f/ xg\$ .

#### pBf]un]kngf ug{kg]zt? M

- != pBf] ; #fng ug{cfj Zos kg] ; Dk0f{sRrf kb]y{pBf]un]:j o-#oj :yf ug{kg\$ .
- @= pBf]usf] ; f0gaf\${/ kmd\$]kof8df /lhi6]zg gDa/ clgj fo{?kdf /Vg' kg\$ .
- #= gfj fnsnf0{pBf]usf]sddf ; mlg u/fpg kf0g]5g .
- \$= 5/ l5d\$ s; ħf0{kl/ dsf{afwf gkg]u/l pBf] ; -rfng ug{kg\$ .
- %= /qL lz^6 ; #fng ug{kg]ePdf k] {; j]ls[t lnP/ dfq ; -rfng ug{; lsg\$ .
- ^= pBf]unf0{cfj Zos kg]hgzi0m g]kfnl gful/saf6}kl't{ug{kg\$ . l] b]zl hgzi0m l] gf pBf] ; -rfng  
xg g; Sg]ePdf >d l] efu ; d]sf]k] {; j]ls[t lnP/ dfq sddf nufpg ; lsg\$ .
- &= pBf]usf]l] :tf/, l] l] lws/0f jf :t/ kl/j tG ubf{k] {; j]ls[t kl't ug{kg\$ .
- \*= pBf] btf{ePsf]^ dlxgf leq jf sfo{of]hgf cg' f/ cG0 Do]b t]sPsf]df ; f]leq ; -rfng xg g; s]df  
Do]b yk u/fpg' kg\$ .
- (= pBf] ; -rfng ubf{jftfj /0f k]f0f xg glbg]ul/ cfj Zos Joj :yf ug{kg\$ .
- !) t]sPsf]zt? kngf gePsf]df jf k]Q ; l] wf tyf ; xlnotx? b?kof] ePsf] kf0Pdf cfBf]us  
Joj ; fo Pq, @)\$ ( sf]bkf @% cg' f/ sfo]fxl ul/g\$ .
- !!= pBf]usf]j flif\$ k]lt l] j /0f cfly\$ j if{Joltt ePsf]!% lbg leq lgoldt ?kdf k]z ug{kg\$ . ; fy)  
l] efuaf6 dfu ePsf pBf] ; # ; DalGwt l] j /0fx? oyf ; dodf pknAw u/fpg' kg\$ .
- !@= pBf] ; -rfng ubf{pBf]df e0/x\$]sf]sf] sf/jfxlnf0{dh ; 8saf6 gb]vg]Joj :yf ldnfpg kg].
- !#= k]Int sfgg adf]hdsf]l/t k]of0{pBf] aG]b u/]f To; /L aG]b u/]f]; ft lbg leq ; f]sf]hfgsf/L  
l] efunf0{; d] lbg' kg\$ .
- !\$= pBf] btf{k]f0fkqdf p]n]lvt p2]o l] kl/t sfo{ug{kf0g]5g} .
- !%= o; }gdfaf6 o; cl3 csf]pBf] btf{e}; s\$]b]vPdf o; pBf]usf]gfd kl/j tG ug{kg\$ .

!^= dfly plnly eP cg; f/sf zt{? kfngf gu/df jf kplt ljj/0f kkt gePdf pBfln]kfpq]; l;wf tyf  
; xlnotx? pknAw u/f0g]5g .

!&= pkeDmf ; Af0f Pq @)%\$ cg; f/ sfo{ug{kgI5 .

!\*= ljzj zt{

S\_

V\_

u\_

aflyM

!\_ >l >d sfofho, =====

@\_ >l laqls/ tyf cgtMNs sfofho, =====

#\_ >l s/ sfofho, =====

\$\_ >l 3/h' tyf ; fgf pBfl sfofho, ===== . M- k|tt pBflsf]; Ssn kn0n o; }; fy ; mlg 5 .

%\_ =====

cg' fl @@ -s\_

3/ħ' tyf ; fgf pBfū ljefu  
j flif\$ kψlt lj j /0f  
cf= j= @)^=; @)^=  
-j :t' p'kfbg ug pBfūsf]nflu\_

!= pBfūsf]gfd M  
@= pBfūsf]7ūfgf M  
#= pBfūL÷; feūf/sf]gfd M  
rfn÷aGb

l:y/ kfl M  
rfn' kfl M  
z? ; ~rfng ldt M

\$= 7ūfgf M  
k(0e)÷; fenūf/L÷k f= ln÷= klAns sDkgL M  
%= 6ūknūg M  
^ofS; g=M

; f0gaf\$ {ePsf]gePsf]M

j flif\$ p'kfbg lj j /0f			sRrf kbry{vkt lj j /0f			sRrf kbry\$ f] >f]		dlzg cūf/sf]lj j /0f / pkoū ePsf]j Bt\			/fūf/ ; Vof		s knot
j :t'	kl/dfof	dNo	sRrf kbry\$ f] gfd	kl/dfof	dNo	:j bž	lj bž	gfd	; Vof	ls=j f=	dlxf	k?if	

pBfūnf0{k/\$f ; d:ofx? M  
pBfūkltsf]gfd M

s\_

v\_  
b:tv t M

u\_  
ldt M

b|6Ao M of]knf/fd pBfū gjls/0f ug{cfpBf clgj fo{?kdf ; dfj ž ug{k g\$ .

cg' tL @@ -v\_

3/h' tyf ; fgf pBfj l j efu  
j flif\$ klt lj j /Of  
cf= j= @)^=:@)^=  
-j: t' pTkfbg ug{afx\$ pBfj]nflu\_

!= pBfj]sf]gfd M  
@= pBfj]sf]7jfgf M  
#= pBfj]l=; fe]p/sf]gfd M  
rfn=aab

l:y/ kFL M  
rfn' kFL M  
z? ;~rfng dit M

\$= 7jfgf M  
k]0e7; fe]f/l=k l= ln=klAns sDkgL M  
%= 6]knfj M  
^ofS; g=M

; f0gaf\$ {ePsf]\_gePsf]M

l; =g+ ; ]fsf]lsl; d	k]Q; ]fsf] 0sf0{		dl]zg cf]f/sf] lj j /Of	/f]huf/ ; Vof		s]krot
	; Vof	d]lo		k?if	dlxnf	

pBfj]nf0{k/]sf ; d: ofx? M  
pBfj]klt]sf]gfd M

s\_

v\_

b: tvt M

u\_

ldlt M

b]6]lo M of]knf/fd pBfj] gj]ls/Of ug{cfp]f clgj fo{?kdf ; dfj z ug{k]g\$ .

**cfBflus Joj ; fo Pj, @)\$( -dh Pj\_ sf]bkn !% sf]v08 -v\_ / -u\_ ; u ; DalGwt  
/li6a klyldstf kkt pBflx?sf]lj j /of**

- != cfwgs lrgl tyf vfB; f/l pBfl .
- @= :yfglo t]halh kzf]wg ug]cfwgs t] pBfl .
- #= Pslst 8]l -kz' kfg ; d]\_ pBfl .
- \$= kmknth tyf t/sf/l alp alhg pTkfbg ug]pBfl .
- %= lrof, skn v]l tyf kzf]wg ug]pBfl .
- ^= kmknth kzf]wg ug]pBfl .
- &= h8la6l v]l tyf kzf]wg ug]pBfl .
- \*= a]lknB / :jf:Yos/ vfgf pTkfbg ug]pBfl .
- (= ; tl, pmgl tyf /z]d wfuf]tyf logdf cfwfl/t sk8f pBfl .
- !)= 5fnf kzf]wg / 5fnfsf j :t' pTkfbg ug]pBfl .
- !!= Joj ; flos Pj +kzfut Hofj n, cf]hf/ pBfl .
- !@= :n6, 9E] Pj +; d]6sf Ansx? agfpg]pBfl .
- !#= sfuh pBfl -n]g] 5fkg]Pj +6oh lk6\_ .
- !\$= z]f]fs ; fdfull pTkfbg ug]Pj -d; n6b pBfl .
- !%= cf]flw pTkfbg pBfl .
- !^= :jf:Yo pks/of / cf]hf/ pBfl .
- !&= 0]6hlgol/E pBfl -s]f Pj -cfBflus d]zlg cf]hf/ pTkfbg ug] ; d]\_ .
- !\*= sl6gfzs cf]flw pBfl .
- !(= /; folgs dnvfb pTkfbg -An]8<sup>a</sup> / ld>of afx\$\_ pBfl .
- @)= 06wg art ug] ; fwg pTkfbg ug]pBfl .
- @!= kb]f]of /f\$g] ; fwg pTkfbg ug]pBfl .
- @@= kmf] / d]hf j f v] uPsf]j :t' kzf]wg ug]pBfl .
- @#= hnlj Bt pTkfbg Pj +j t/of .
- @\$= xf6]h, l/; f6{.
- @%= ; 8s, kh, 6g]h, /fk j ] ^nf0f la]h, /lj ] 6ala; tyf clk; Pj +cfj ; sDkn\$; cf]b .
- @^= vlgh kb]f]df cfwfl/t pBfl .
- @&= lj Bt k6v ?kdf k6f] ug]sli6s ; f6f, Snf]l/g, Pnldlgod :d]6/ cf]b pBfl .
- @\*= c:ktn gl; f] xf6] .
- @(= sDko6/ ; ^6j6/ pBfl .
- #)= lgsfzldhs s]f]h6o pBfl .
- #!= kl; hg j :tx? .

cg', P! @\$

-cfBflus Joj ; fo Pq, @)\$( sf]bkr! !# sf]v08 -r\_ ; u ; DalQwt\_  
clt clj sl; t, clj sl; t, cNk lj sl; t Pj +; fdfo lj sl; t lq?sf]; P!

cf] Jo= Pq, @)\$( n]; lj wfsf]kpf]hgsf]nflu bxfosf lhNfx?nf0{bxf}o adflhd lj leqg lq?df  
j lu&/of u/\$f]5 M

clt clj sl; t lq

!=	bfrhf	@=	aemf <sup>a</sup>	#=	afh/f	\$=	xDnf
%=	hDnf	^=	du'	&=	sfnlstf	*=	8mfk
(=	d'tf <sup>a</sup>	!)=	dgf <sup>a</sup>	!!=	; fhvDa"	!@=	vjf; ef
!#=	vf <sup>a</sup>	!\$=	efhk/	!%=	c5fd	!^=	bh <sup>y</sup>
!&=	hfh/sf	!*=	?sd	!(=	cfyn9Ef	@)=	Doflbl
@!=	txyd	@@=	/fd <sup>fk</sup>				

clj sl; t lq

!=	tf(nh <sup>a</sup>	@=	/mfk	#=	a <sup>8</sup> l	\$=	/; jf
%=	uNdl	^=	kj <sup>t</sup>	&=	88hw/f	*=	ko7fg
(=	8f <sup>l</sup>	!)=	; Nofg	!!=	kfFy/	!@=	j fln <sup>a</sup>
!#=	l; GwkNrf <sup>\$</sup>						

cNk lj sl; t lq

!=	shfnl	@=	; v <sup>t</sup>	#=	c3f <sup>v</sup> fFl	\$=	kNkf
%=	:of <sup>hf</sup>	^=	wflb <sup>a</sup>	&=	ndh <sup>a</sup>	*=	tgxF
(=	uf]vf	!)=	l; Gwhl	!!=	pbok/	!@=	wgs <sup>df</sup>
!#=	Onfd	!\$=	s-rgk/	!%=	j lb <sup>of</sup>	!^=	bf <sup>a</sup>
!&=	gj fsf	!*=	sfe <sup>knf</sup> -rf <sup>\$</sup>	!(=	bf <sup>hv</sup>		

\* ++++++

3/h' tyf ; fgg pBfufnf0(lb0g); lj wf l; kfl/z ubf{; nlg ug{kgl}lj /of

3/h' / ; fgg pBfufx?n] kflnt Pq cg' f/ ; lj wf dfu u/lk15 bxf0 adfllnds] sfuhftx? ; nlg u/l ; Dalwt 3/h' tyf ; fgg pBfu sfofhon] kdfloft u/l dfu adfllnds] ; lj wf lbg ldlng] gldng] af/df :ki6 /fo ; lxt lj efudf k7fpg' kg5 .

- != pBfufsf]gfd, btf{ldlt, kfl lj j /of -l:y/, rfn' / sh\_, p2zo, jflif\$ ptkfbg lfdtf M
- pBfufsf]gfd M pBfu /xsf]:yfg M
- pBfufsf]gfd 7ufgf M pBfufsf]:t/ M
- btf{ldlt M pBfufsf]j u{M
- ; -rfng -Jofkl/s ptkfbg z? u/\$f] ldt M
- kfl lj j /of M l:y/ M rfn' M hDdf M
- jflif\$ ptkfbg lfdtf Mkl/df0f M dNo M
- p2zo M
- sfdbf/ ; wof M
- lfdtf M
- @= pBfu btf{ubf{e/\$f]lgj hg -v\_ kmf/fd
- #= :sld ePdf ; f]; d]sf]k|tlnk
- \$= btf{kdf0fkq k7f0Psf]hfgsf/l kqsf]k|tlnk
- %= pBfu btf{kdf0fkqsf]k|tlnk -CBfj lws glj s/of ePsf]
- ^= Ohfht lnPsf]eP Ohfht kqsf]k|tlnk
- &= lgj hg -s\_ kmf/fdsf]k|tlnk -Ohfht lnPsf]eP\_
- \*= tf]sPsf]cj lwdf ; -rfng gePsf]eP Dofb ykdf]kdf0f
- (= s/ jf dNo clea[4 s/ jf c6o /fh:j ; Dalwt sfofhoaf6 pBfufsf]z? ; -rfng ldt kdfloft ul/Psf]kdf0f
- !)= /ltk] \$sf]lg/lif0f k|tj hg / kmf/fd
- !!= ; -rfng kZrft\$df]; s jf r0fl; s jf jflif\$ k|t lj j /of
- !@= cfos/ jf c6o 5b sg Pqsf]sg bkmf cg' f/ dfu u/\$f]xf]
- !#= jftj /oflo zt? kfngf ePsf]5 e6g]kl60f0{
- !\$= pBfu ; #fng ubf{Ohfht tyf btf{kdf0fkqdf tf]sPsf zt{kfngf eP gePsf]kl60f0
- !%= vfB kzf]wg nufot c6o pBfufsf]xsdf ; Dalwt lgsfoaf6 tf]sPsf zt? kfngf eP gePsf]kl60f0

-; zfl]wt Pq]sf]bknf !% sf]v08 -u\_ ; u ; Dal6wt\_

/fli6a kfyldstf kkt pBfux?

- != s]if tyf jgh6o pBfux? .
- @= 0l6hlgol/É pBf] -s]if tyf cfBf]us d]zlg pTkfbg ug] .
- #= 06wg art ug]j f k]l]of sd ug] ; fwg pTkfbg ug]pBf] .
- \$= knf/ d]h k]z]vg ug]pBf] .
- %= ; 8s, kh, 6g]h, /f]k] ] ^nf0<sup>a</sup> lj h, 6kna; tyf 6kd lgdf]f u/l ; #fng ug]pBf] .
- ^= c:ktn / gl; É x]f] -sf7df8f]pk]osf aflx/ dfq\_ .
- &= cfoj ]bs, x]l]dof]k]lys / c6o k/Dk/fut cf]fwl pTkfbg ug]tyf ckfÉ tyf x]8hf]gl]sf]d2tsf nflu k]f] ul/g]a]z]fvL, sDd/k]l, Jxln lro/, :6] / / n7]L c]fb pTkfbg ug]pBf]ux? .
- \*= k]nk]h tyf t/sf/l e08f/sf nflu :y]lkt zlt e08f/ -sf]8 :6f]h\_ .

# kψlt lj j /0f kn/fd

3/η' tyf ; fgf pBfū sfoffo =====  
 dfl; s÷rfðfl; s÷j flif§

@)===== ; fn ===== dlxgfsf]===== sfo{kψlt lj j /0f

l; -g+	lj ifo	3/η' pBfū tkñ			; fgf pBfū tkñ			hDdf	s]knot
		kl= km#	; f= km#	sDkgl	kl= km#	; f= km#	sDkgl		
!=	pBfū btf{; Wof								
@=	btf§f]l:y/ kñL /sd ?=								
#=	gfd; f/L ; Wof								
\$=	7fpFf/L ; Wof								
%=	gjls/0f ; Wof								
^=	kñL a[4 ; Wof								
&=	kñL a[4sf]/sd ?=								
*	0hfht klþg ePsf]; Wof								
(=	IEE :jlst ePsf ; Wof								

**bi6Jo M** of]knf/fd e/l x/\$ dlxgfsf]# ut]leqdf lj efudf k7fpg'kgI. rfðfl; s tyf j flif§ kψlt Psdl7 x/\$  
 rfðfl; s jf j flif§ cj lw Joltt ePsf]!% lbg leqdf cf0 klg'kgI.

cg; Fl @\*

3/1' tyf ; fgf pBfj sfofho  
cfBfj us tYofl ljj /of

@)^= ; fn ===== dlxgfsf]

lhNnf M  
c-rn M

l; = g+	pBfj usf]		pBfj usf] gfd 7ψfgf	pBfj usf] p27o	pBfj usf] :t/	pBfj usf] julξ/0f	lsl; d			kfl nufgl			j flifξ ptkfbg lfdtf		/fhuf/	ls= j f6	slknot	
	btfg+	ldlt					kl= km#	; f= km#	klfn=	l:y/ kfl	rfn' kfl	sh kfl	kl/df0f	dNo				

**bj6Jo M** != of]ljj /of x/ξ dlxgf Joltt ePsf]# lbg leq lj efudf k7fpg' kgξ .

@= of] kmf/fd ebf{ pBfj usf] julξ/0f ldnfP/ h:t} ptkfbgdhssf] Ps 7fpθf, agh6o csf[ 7fpθf ul/ ug{ kgξ .



&= pBf]y :yn  
 \*= pBf]y :yn pBf]y :yfkf ug{kf0g]ul/ tf]sPsf]  
 (= c]t/f]6 1; dfgaf6 \* ls= ld= 6f9f  
 !=) pBf]n]k]f] ug[h]luf  
 !=) h]lufsf]nfknhf{/ ; Dem]f kqsf]k]t]lnk  
 !=) h]lufsf]g\$; f ; m]lg  
 !=) pBf]y 3gfal:taf6 slDtdf = ls= ld= 6f9f  
 xgkg]f ; f]  
 !=) pBf]y :ynsf]rf]lkm{/ ; f]w ; f]wof/ ; d]sf] ; xdt  
 ePsf] uf= lj= ; =g= kf= af6 ul/Psf] ; h]dg  
 drNsf  
 !=) pBf]n]cgdl]t lnPsf]  
 !=) pBf]y :yn dlb/f lgif]wt lf] 3f]f]off ePsf]  
 !=) pBf]y]sf] ; Da]wdf c]o lgsfosf] ; xdt lnPsf]

uf=j ; =	g=kf=	cf] lf]
5	5g	cfj Zos gePsf]
Æ	Æ	Æ
ef8fsf]	cf] lf]sf]	cf^g}
5	5g	cfj Zos gePsf]
Æ	Æ	Æ
Æ	Æ	Æ
Æ	Æ	Æ
Æ	Æ	Æ
Æ	Æ	Æ

pk/f]m Joxf]f 7ls 5 elg k]z ug]  
7ls 5 elg k]f]l]oft ug]

pk/f]m Joxf]f

### v\_ 3/]' tyf ; fgf pBf]y?nf0{/ ; lj wf l ; knl/z ubf]f]r]z Ini6

!= lgj ]]ssf]gfd, 7]ufgf M  
 @= pBf]y /xg]:yfg -lh]nf, g=kf=uf=j ; =, j 8f g=/ :yfg\_ M  
 #= pBf]y]sf]:t/ M 3/]' ; fgf  
 \$= pBf]n]k]f] ug[l]j B't zlQm M ===== lsnf] f6  
 %= pBf]y]sf]j u{ M s\_ p]k]f]gd]hs v\_ phf]d]hs u\_ s]if tyf jgh]o 3\_ vglh ^\_ ko]g r\_ ; ]f 5\_  
 lgdf]f  
 ^= sh k]l M ===== s\_ l:y/ k]l M ===== v\_ rfn'  
 k]l M =====

!\_ 3/ h]uf afx]sf]l:y/ k]l M =====

&= pBf]y]sf]p2]o M  
 \*= d]z]lg/l]sf]nflu lj b]z]l db] cfj Zos kg]gkg]M kg]eP cfj Zos /sd M =====  
 (= sRrf kb]y]f] >f] M  
 !=) sRrf kb]y]f]nflu lj b]z]l db] cfj Zos kg]gkg]M kg]eP cfj Zos /sd M =====  
 !=) pBf]y]sf]nflu cfj Zos s]dbf/ M :j b]z]l ===== lj b]z]l =====  
 ===== kf= =====  
 ===== k]z =====

!@= pBfj bt{kdfof kqsf]kl|tlnk ; mlg  
 !#= pBfj bt{ksf]kl|tlnk  
 !\$= pBfj cBj lws glj s/of ePsf]kdfof  
 !%= cgdlt -0hfht\_ kqsf]kl|tlnk ; mlg  
 !^= lgj dg s km/fdsf]kl|tlnk ; mlg  
 !&= pBfj bt{lgj dg v km/fdsf]kl|tlnk ; mlg  
 !\*= :slds]kl|tlnk ; mlg  
 !(= pBfj ; #fng ePb]vsf]dfl ; s÷rfdf] ; s÷j flif\$  
 k|lt lj j/of ; mlg  
 @)= pBfj lg/lifof kl|tj dg pBfj kzf ; g lgb]zsf,  
 @)%\$ cg' f/  
 @!= pBfj bt{ePsf]5 dlxgf leqdf ; #fng xgkgdf  
 ; f] dofb leq ; #fng xg g ; ls pBfj ; #fng  
 dofb yk ePsf]kdfof  
 @@= cgdlt lng' kg]pBfj]n] cgdlt kqdf pNn]vt  
 dofb leq ; #fng xg g ; s]df cgd]tsf] dofb  
 yk ePsf]kdfof  
 @#= s]b]o vfB cg' Gwfgzfnf=g]kn uof:t/ tyf  
 gktr] ljefu÷dNo clea[4s/ ljefu jf o:t}  
 cGo lgsfosf]k] { :j]ls[t lng' kgdf lnP/ dfq jf  
 uof:t/ kl/lifof u/fpg' kg] zt{ t]sPsfdf ; f]  
 cg' f/ ePsf]kdfof  
 @\$= s/ jf dNo clea[4 s/ jf cGo /fh:j ; DaGwl  
 sfofnoaf6 pBf]sf] z? ; #fng ldit kdfloft  
 ul/Psf]kdfof  
 @%= jftfj/of k]f]of / ; f# ; f#of/sf]ph/L ; DaGwdf  
 uf= lj= ; = jf ; DaGwt lgsfosf]kl|tsdf

5	5g	cfj Zos gePsf]
Æ	Æ	Æ
Æ	Æ	Æ
Æ	Æ	Æ
Æ	Æ	Æ
Æ	Æ	Æ
Æ	Æ	Æ
Æ	Æ	Æ
Æ	Æ	Æ
Æ	Æ	Æ
Æ	Æ	Æ
Æ	Æ	Æ
Æ	Æ	Æ
Æ	Æ	Æ
Æ	Æ	Æ
Æ	Æ	Æ

pk/fQm Joxf]f 7ls 5 elg k] ug]  
pk/fQm Joxf]f 7ls 5 elg kdfloft ug]

3/ከ' tyf ; fgf pBፊህ sfፊኸኦ : t/lo sfፊኸኦx?

ባጠፈ ; ህፊፍ	sfፊኸኦ	ከከከፍ	ፊከከከፍ ግ።
1	3/ከ' tyf ; fgf pBፊህ sfፊኸኦ	emkf	023-20028
2	3/ከ' tyf ; fgf pBፊህ sfፊኸኦ	df]፡፡	021-22662, 27964
3	3/ከ' tyf ; fgf pBፊህ sfፊኸኦ	; ግ; /L	025-20502
4	3/ከ' tyf ; fgf pBፊህ sfፊኸኦ	l; /fxf	033-60128
5	3/ከ' tyf ; fgf pBፊህ sfፊኸኦ	; kt/L	031-20218
6	3/ከ' tyf ; fgf pBፊህ sfፊኸኦ	dxፊፊ/L	044-20095
7	3/ከ' tyf ; fgf pBፊህ sfፊኸኦ	wglff	041-20167
8	3/ከ' tyf ; fgf pBፊህ sfፊኸኦ	; nfፊፊ	046-20186
9	3/ከ' tyf ; fgf pBፊህ sfፊኸኦ	sfe]	011-61154
10	3/ከ' tyf ; fgf pBፊህ sfፊኸኦ	sf7df8ፊ፡፡	01-232962
11	3/ከ' tyf ; fgf pBፊህ sfፊኸኦ	eQmk/	01-310884
12	3/ከ' tyf ; fgf pBፊህ sfፊኸኦ	nlntk/	01-523452
13	3/ከ' tyf ; fgf pBፊህ sfፊኸኦ	dsjfgk/	057-20437
14	3/ከ' tyf ; fgf pBፊህ sfፊኸኦ	af/f	053-50145
15	3/ከ' tyf ; fgf pBፊህ sfፊኸኦ	k; f{	051-21967
16	3/ከ' tyf ; fgf pBፊህ sfፊኸኦ	lrtjg	056-20136
17	3/ከ' tyf ; fgf pBፊህ sfፊኸኦ	/f፡፡x6	055-20172
18	3/ከ' tyf ; fgf pBፊህ sfፊኸኦ	gjn k/f; l	078-20169
19	3/ከ' tyf ; fgf pBፊህ sfፊኸኦ	slknj :t'	076-60065
20	3/ከ' tyf ; fgf pBፊህ sfፊኸኦ	?kፊፊ፡፡	071-20204
21	3/ከ' tyf ; fgf pBፊህ sfፊኸኦ	sf:sl	061-20204
22	3/ከ' tyf ; fgf pBፊህ sfፊኸኦ	kፊፊ፡፡	075-20232
23	3/ከ' tyf ; fgf pBፊህ sfፊኸኦ	bf፡፡	082-60004
24	3/ከ' tyf ; fgf pBፊህ sfፊኸኦ	af፡፡]	081-20314
25	3/ከ' tyf ; fgf pBፊህ sfፊኸኦ	albፊ፡፡	084-20106
26	3/ከ' tyf ; fgf pBፊህ sfፊኸኦ	s፡፡ፊ፡፡	091-21306
27	3/ከ' tyf ; fgf pBፊህ sfፊኸኦ	s፡፡ግ፡፡	099-21307

cg; lr #)

o; ljefu tyf cGtu{ 3/h' tyf ; fgf pBfu klzlf0f s{hoaf6 pknAw xg]; Jfx?

; Jfx?	; Dks{ug{kg{zfvf÷ lgsfo
pBfusf]btff{ kFla[4, gfd; f/L, 7f{; f/L, Ohfht tyf ; ljwf ; DaGwdf	btff{/ Ohfht tyf; ljwf zfvf, -ljefu_ lqk'Jj /
cfBfus :sld, klj lws ; Jf tyf cfBfus k/fdz{	cfBfus kj46 / jftj/0f tyf cfBfus cgludg zfvf

gf{ MlhNnf l:yt sf0f{hoaf6 pknAw xg]; Jfx?sf]nflu ; DalGwt lhNnfd ; Dks{/Av'kg}5 .

pBfj kzf; g bt{ / Ohfht Ohfht zfvf

l; -g+	pknAw xg]; jfx?	; nlg ug{kg]sfuhftx?	nflg]; do	w/f;l /sd	; Dks{ug{kg]sd{f/l
!=	cf; Jo= Pj= @)\$( sf] cg'; lr ! sf]b]6Jo @ / cg'; lr @ cg'; f/ cgdl kbf] ug]	s_ g]kfnl gful/stfsf]kdf0fkqsf]k tlnk v_ sDkgl ePdf sDkgl bt{; Da6wl sfuhftx? u_ Ohfht -s_ km/fd 3_ :sld a_ jftfj/Of ; A f0f lgodfj nl @)%\$ sf]cg'; lr ! j f @ cg'; f/ IEE jf EIA ug{kg]ePdf IEE jf EIA k tj]bg r_ c6o lgsfosf] l; km/l; -cfjZos ePdf / ; /hldg dr]lsf	s_ sfhuft ; lxtsf] lgj]bg k kt e0 IEE k tj]bg :jls]t ePsf] # lbg leq EIA cfjZos kg] pBf]usf] xsdf :jls]t EIA k kt ePsf]# lbgleq .	s_ :yl/ kFl ?= % nfv ; Dd ?= !,))) v_ " ! " ?= @,))) u_ " @% " ?= \$,))) 3_ " %) " ?= &,))) a_ " ! s/18 " ?= !,))) r_ " ! s/fB e6bf dfyl ?= @,)))	bt{/ Ohfht zfv]sf zf-c= / gf= ;
@	l; -g+! cg'; f/ cgdl kbf] ePsf pBf]x?sf] s_ kFl a[4 v_ lfdtf a[4 u_ p2]o yk 3_ 7f]f; f/l a_ gid; f/l	s_ pBf] bt{ kdf0f kq v_ pBf]usf]thgf]ds; zfl]wt :sld u_ ; zfl]wt Ohfht -s_ km/fd 3_ ; Dal6wt s/ sf0f]hosf]k tlqmf -7fp; f/l / gfd; f/l]nfludf_ a_ xs 5f]Bkq -gfd; f/l]nfl_ r_ jf; ; dg= @)%\$ cg'; f/ IEE :jls]t ge0{bt{ ePsf]pBf]usf]xsdf jf; ; dg= sf]klqmf k/f u/l IEE/TOR k tj]bg kzf ug{kg] IEE :jls]t ePsf pBf]usf]xsdf ; zfl]wt IEE kzf ug{kg]	IEE k tj]bg :jls]t ug{ kg] pBf]usf]xsdf ; f]:jls]t ePsf] # lbg ; zfl]wt IEE kzf ug{ kg]f ; zfl]wt IEE :jls]t ePsf]# lbgleq / c6osf]xsdf sfhuft ; lxtsf] lgj]bg k kt ePsf]# lbgleq .	s_ pkoQmf; f/ km/s /sd hDdf ug{kg].	"
#	jftfj/Of ; A f0f lgodfj nl @)%\$ cg'; f/ kf/]Des jftfj/Oflo kl/]f0f IEE ug{ kg] k tj]x? :jls]t / pBf] bt{	s_ gful/stfsf]kdf0f kqsf]k tlnk v_ sDkgl ePdf kdf0fkq / k]6wkq lgodfj nlsf] k tlnk -k =n= sf]clwst k]l e6bf pBf]usf] sh k]l a9l xg' xb] tyf k =n= sf]p2]odf p]n]y gePsf]p2]osf]pBf] k =n= sf]gfdaf6 vf]lg kf0g]5g] u_ :sld 3_ b/vf:t km/d jf lgj]bg a_ kf/]Des jftfj/Oflo kl/]f0fsf]sfo{ 'lr r_ kf/]Des jftfj/Oflo kl/]f0f k tj]bg IEE/TOR k tj]bg tof/ kfg]f]lj]j/Of / z]fs of]otfsf]kdf0fkq	S _IEE ; ldltaf6 ljgf s]kmotl; km/l; ePsf k tj] % lbgleq , v_ IEE ; ldltaf6 s]kmot hgf0{ kf; ePsf k tj] s]kmot k/f ePsf]ldltn] % lbgleq .	gnflg]	"

	<p>5_ jftfj/0f ; #f0f lgodfjnl @)%\$ sf]lgod &amp; -@_ adf]hd b}fosf sfuhft M != uf-lj =; =, g=kf= / ; Dalgwt lgsfodf pBf]u :yfkf ug] !% lbg] ; r'gf 6fF drNsf @= pBf]u :yfkf ug] /fli60 b]gs klqsfdf k\$flzt !% lbg] ; fj h]gs ; r'gf -/fo ; emfj gk/}sf] ; Dj lGwt lgsfosf]l ; kmfl/ ; _ #= rf}kml{ ; lwof/ vh}sf] ; hldg drNsf / uf-lj =; =-g=kf=sf]l ; kmfl/ ;</p>			
--	--	--	--	--

\$	<p>S_ jftfj/0f ; Af0f lgodfjnl @)%\$ cg'; f/ EIA ug{ kgI pBfj ; DaGwl kf/IDes sfo{?</p> <p>V_ :jls{ EIA btf{ ; DaGwl sfo{</p>	<p>S_ jftfj/0f ; Af0f lgodfjnl @)%\$ cg'; f/sf sfuhft v_ l; =g+! sf]s,v,u,3 / r cg'; f/sf]sfuhft</p>	<p>s_dGqfnodf sf/jfxlsf] nflu # lbgleq k7fpg]. v_ ef]nkll6</p>	gnflg]		
%=	<p>IEE :jls{ ePsf pBfjux?sf] s_ kFl a[4 v_ lfdtf a[4 u_ p2Zo yk 3_ 7fB; f/l a_ gfd; f/l ugI sfo{</p>	<p>s_ thgfids ; zflwt :sld v_ ; zflwt -v_ kmf/fd u_ ; zflwt IEE kltjbg 3_ xs 5fBkq gfd; f/lsf]nflu a_ ljeudf kmf0h k7fpbf+klg dfly pln]vt sfuhft / ljj/0f k7f u/l /fo ; fy kmf0h k7fpg' kgI 5 .</p> <p>r_ l; =g+ !,@,# / % sf]nflu :yfglo lj sfosf]l; kmf/; ; lxtsf] ; lwof/ vhsf]; hdlg dr]nsf</p>	<p>s_ ; Dk0f{sfuhft k{kt e0{ ; zflwt IEE kltjbg :jls{ ePsf] ldltn] % lbg leq</p>	gnflg]	"	"
^	<p>EIA :jls{ ePsf pBfjux?sf] s_ kFl a[4 v_ lfdtf a[4 u_ p2Zo yk 3_ 7fB; f/l a_ gfd; f/l ugI sfo{</p>	<p>S_ b/vf:t jf lgjbg v_ ; zflwt :sld u_ ; zflwt -v_ kmf/fd 3_ pBf]jsf]k\$[t / p2Zo cg'; f/ ; zflwt EIA kltjbg+; Djlgwt lgsfoaf6 :jls{ u/f0{kz ug{ kgI.</p> <p>8_ ; DalGwt lgsfosf]:jls{tl jf l; kmf/;</p>	<p>s_ ; Dk0f{ sfuhft k{kt ePsf]ldltn]# lbg leq</p>	gnflg]	"	"

pknjw xg]; ]fx?	cfjZos sfuhft	nflg]; do	nflg]/fhZj	s]knot
& cf0=0=0k tj]bg cfjZos gkgI gof+ pBf]ux? lhlnf l:yt sfofxox?nf0{ k]ofof]ht l:y/ kml ecbf dfly sf]pBf]u btf{.	!= lgj]bg kmf/fd -v_ @=gkfnl gfu/lstfsf]k tlnkl #= lgj]bg b:t/ ?=-%.- \$-k n=sf]ksdf sDkgl /lhi6k/ sfof]oj f6 k kt sfuhftsf k tlnklx? %= c6o lgsfosf]; xdtl kq . cfjZostf cg'; f/	s_ ; DkOf{ sfuhft k kt ePsf] ldltn]# lbg leq	tfnlsf cg'; f/	
*= cf0=0=0k tj]bg cfjZos gkgI btf{e} ; s]f k/fgf pBf]ux?sf] s_ kml a[4 v_ lfdtf a[4 u_ p2]o yk 3_ 7fp+f/l a_ gfd; f/l ug]sfo{	!= lgj]bg kmf/fd -v_ @= b:t/ ?=-%.- #= s/ sfof]osf]k tlqmf 7fp+f/l / gfd; f/l]nflu dfq \$= ; /lhldg dr]l]sf -cfjZostf cg'; f/_ %= 5f]kq -gfd; f/l]nflu dfq_	s_ ; DkOf{ sfuhft k kt ePsf] ldltn]# lbg leq		
(= Ohfht lng' kg]pBf]ux? btf{ -lhlnfnf0{k]ofof]ht l:y/ kml ecbf dflysf_	!= Ohfht lnbf k kt ePsf sfuhftsf k tlnklx?	b0{ lbg leq		

!= sfuhft b?:t k]z xg cfPdf dfq pk/f]m cjwldf sfd ; Dk6g xg ; Sg]5 .

@= l; -g=# cg'; f/sf]pBf]u btf{ubf{IEE k|tj]bg :jls] ePsf]xg' kg]5 .

#= sg]sf/0fa; pko]mfq'; f/ ; ]f lbg g; lsg]ePdf ; Dal6wt klfnf0{To; sf]lnlvt hfgsf/l lb0g]5 .

/fhZj b:t/ tfnlsf, kfk/; f-kmbtf{b:t/

sh khl nufgl	kf-km	; f-km	khl nufgl	kf-km	; f-km
?=@,))) - ; Dd	?= ^).-	?=%).-	?=%,))) - ; Dd	?=! (%).-	?=! \$)) -
?=%,))) - ; Dd	?=!@).-	?=!)) -	?=! ,))) - ; Dd	?=# () -	?=# )) -
?=! ,))) - ; Dd	?=#)) -	?=@%).-	?=% ,))) - ; Dd	?=% *% -	?=\$%)) -
?=# ,))) - ; Dd	?=! !&).-	?=*%).-	?=% ,))) - efbf dfly	?=&*)) -	?=^%)) -

gf M kf-ln=sf]xsf lgj bg b:t/ ?=%.- df .  
/sd aemg] ; do M !\$M)

**bj6AolM** cfo lgsfosf] ; xdl t jf /fo cfj Zos kg l jz]f ksf/sf lj :t l j j /of cfj Zos kg / gofFk s[tsf -o ; k j {k/Dk/f j l ; g ; s s f \_ pBf u x?sf]xsfdf ; f]sf]sf/Of dfly p l n]vt ; dodf sfo{ ; Dkfbg xg g ; s s f j f ; f x l lbg ; f]sf]hfgsf/L ; Dalwt klfnf0{lbo g]5 .

# jftfj /of tyf cfbflus cgludg zfvf

pknlw xg]; jfx?	cfj Zos sfuhft ÷ Approach ug[t]/sf	; fdfgotof nflg]; do	nflg]/fh/zj
!= IEE/EIA ug{ kgI ju{f k/\$f pBflux?sf] IEE/EIA kl[tj h[ g Pj + kl/of/hgf k{tfj cWbog u/L klj lws k/fdz{ lbg] / clVtof/ leqsf] kl[tj h[ g :jLs[L ; Dj Gwl sfo{ugI.	pBflusf]:sd, TOR, IEE kl[tj h[ g cfbf	# lbg	gnflg]
@= pBfluj f6 pTkfbgsf] qmddf pI; hg xg]kmf]/sf] dfk08 ; Dj Gwl sfo{ugI.	pBfluj lgl/lf0f IEE kl[tj h[ g Lab report, ; DaGwt Standard, cfk+j fBsf]lg0f0 cfbf	& lbg b\l ! dlxgf	gnflg]
#= pBfluj f6 lg:sg] kmf]/ kbfy{ llof; , kfglsf] pI; hg]sf] dfk08 kfgnf eP gePsf]lg/lf0f u/L dfk08sf]kfgnf u/fpg].	pBfluj lgl/lf0f IEE kl[tj h[ g Lab report, ; DaGwt Standard, cfk+j fBsf]lg0f0 cfbf	gllt lgod cg; f/	gnflg]
\$= jftfj /of kblf0f kdf0f-kq hf/L ug{pBflusf]lg/lf0f ugI lgwf/t dfk08 cg; f/ pBfluj ; fng ePsf pBflunf0{kdf0f kq hf/L ug{; kmf]/z ugI.	pBfluj lgl/lf0f IEE kl[tj h[ g ; DaGwt Standard, cfk+j fBsf]lg0f0 cfbf	pBfluj lgl/lf0f ugI hfg gkI eP # lbg leqdf, pBfludf hfg' kgI eP !% lbg	gnflg]
%= IEE/EIA u/\$f pBflux? / jftfj /oflo kdf0f-kq kkt u/\$f pBflux?sf] k{f lgwf/t zt{ Pj +dfk08 kfg u/] gu/\$f] Plsg u/L cfj Zos sf/jfxl ug{; kmf]/z ugI.	pBfluj lgl/lf0f IEE kl[tj h[ g Lab report, ; DaGwt Standard, cfk+j fBsf]lg0f0 cfbf	lg/lf0fdf hfg' kgI eP !% lbg tyf gkgI eP # lbg	gnflg]
^= jftfj /of kblf0f ; Dj Gwl sbj}ph/L k/df cfj Zostfg; f/ pBflusf]:ynut lg/lf0f u/L /o ; lxt kl[tj h[ g lbg]/ cfj Zos sf/jfxl ug{; kmf]/z ugI.	ph/lsf]lsl; d, pBflusf]lsl; d, Location cfbf	lg/lf0fdf hfg' kgI eP !% lbg tyf gkgI eP # lbg	gnflg]
&= cfjlo-Pg cg; f/ pBflun] kkt ugI ; l]wf, hit{ kdf0f, sRrf kbfy{ l] ikmf]s kbfy{sf]l; kmf]/z cflbsf]nflu :ynut lg/lf0f ug{ kgI eP u/L klj lws /fo lbg].	:sld, jf; nft, lgl/lf0f kl[tj h[ g, vkt ljj /of cfbf	cfj Zos sfuhft k/f ePdf # lbg	gnflg]
*= kofj /of Joj :yfk g Pj +kblf0f G0g ugI klj lw ; Dj Gwl ; Pgf ; sng Pj + krf/ k] f/ ugI	jflif\$ sfoGmd cg; f/, l]leG ; f]sf] ; slnt ; Pgf	aflif\$ sfoGmd cg; f/	gnflg]
(= cfbflus kblf0f lgoGq0f ; Dj Gwl Pg, lgods] thdf Pj + kl/dfhg ug{ k/fdz{lbg].	l]leG ; 3 ; yfa6 kkt ; emj, cfbflus Joj ; fo Pg, jftfj /of ; Af0f lgodfanl cfbf	cfj Zostf cg; f/ !% lbg leq	gnflg]
!)= cfbflus kblf0f lgoGq0f ; Dj Gwdf hf0f /of l; hg] ugI.	l]leG uf]7L tyf krf/ ; fdfullaf6	cfj Zostf cg; f/ !% lbg b\l ! dlxgf leq	gnflg]
!!= cfbflus kblf0f lgoGq0f / jftfj /of ; Dj Gwdf c6o cfj Zos sfoX? ugI.	ph/L /o ; emj tyf c6o cfj Zos ; fdul	cfj Zostf cg; f/ & lbg b\l !% lbg leq	gnflg]

## kllj lws k/fdz{tyf kllj lw x:tfGt/Of

pknJw xg]; ]fx?	cfjZos sfuhft ÷ Approach ugI tl/sf	; fdfGtof nllg]; do	nllg]/fhZj
!= 3/h' tyf ; fgf pBfU :yfkGf ug{ rfxg] pBdl Joj ; folx?nf0{ cfBflus k/fdz{lbg}.	l; w;o; zlvdf ; Dks{ePsf JolQm :sld, tyf cGo kllj lws kl:tsf	tIsfn -! lbg_ b\l &	gnllg]
@= pBflusf] :yfkGsf] nflu kllt k tfjx?df cflyG kllj lws klfsf] cllbog lj Zn]fOf ugI.	pBflusf]l:sd tyf cGo sfuhft	# lbg	gnllg]
#= 3/h' tyf ; fgf pBflusf] :sld thGf ugI / dfhbf :sldx? cBflus ugI.	l:jsE jflifG sfogmd cg; f/	jflifG sfogmd cg; f/	gnllg]
\$= kllj lw x:tfGt/Of Pj +lj sf; ; Dj Gwl ; Rgf ; Sng / ; Dk]fOf ugI. kllj lw lj :tf/sf] nflu pkoQm kllj lwsf] vfhL u/L ; Dj 4 klfnf0{ pknJw u/fpg}.	l:jsE jflifG sfogmd cg; f/	jflifG sfogmd cg; f/ tyf cfjZostfg; f/ !% lbg b\l @ dlxgf ; Dd	gnllg]
% = bZdf dfhbf k/k/fut kllj lwsf] lj sf; , lj :tf/ / kl/dfhG ug{ Joj ; folnf0{; xofU k\ofpg}.	gllt lgodcg; f/ tyf dfu cg; f/	kllj lw x\l ! b\l @ dxlgf	gnllg]
^= pBflU lfdGf pkoQm kllj lwsf] klxrfG u/L pBdl Joj ; folx?nf0{ x:tfGt/Of ugI.	jflifG sfogmd cg; f/ tyf gllt lgodcg; f/	kllj lw x\l @ b\l ^ dxlgf	
&= 3/h' tyf ; fgf pBflusf] lfdGf x:tfGt/Of ePsf kllj lwsf] cgludg ugI / cfjZostfg; f/ ;o; sf]lj :tf/df ; xofU k\ofpg}.	pBflusf] lgl/lfOf, kllj lwsf] lj j /Of tyf 5nkm cfbL	cfjZostfg; f/ sDtldf ! dlxgf	
*= ?Uof pBflUx?sf]kg:yfkGsf]nflu cfjZos k/fdz{lbg}.	pBflusf] gfd, lsl; d,j u; pTkfbg lfdtf, ?Uoftsf]sf/Of kllj lw, j hf/ Joj :yfkG hgZQm cfbL sf]lj j /Ofx?	# lbg	gnllg]
(= :jR5 pTkfbg [Green Productivity] pTkfbstj / uOf:t/ Joj:yfkG ; Dj Gwl tfnld, uf]7L ; #fng ugI / o; laifosf] k f/ k  f/ ugI. lhNndf k/\$f kllj lws ; d:ofsf] ; dfwfg ugI.	l:jsE jflifG sfogmd cg; f/, uf]7L ; ]dGf/ cfbL	cfjZostf cg; f/ tyf jflifG sfogmd cg; f/ ugI	gnllg]
!)= 3/h' tyf ; fgf pBflU k]4Gsf nflu cGo cfjZos sfog(?) ugI.	cfjZostf cg; f/ lgl/lfOf, l:sd kl:tsf cfbL	dfu cg; f/ sfofG og ugI	gnllg]

### 3/ħ' tyf ; fgf pBfũ laefu ; lawf zfvf

pknJw xg]; ] fx?	cfj Zos sfuhft	; fdfġotof nflġ]; do	nflġ] /fhZj	s]kmo t
!=3/ħ' pBfũsf]cfos/ ; lawf l; kmfl/z ugI	!= pBfũ btf{kġfġof kq, @= pBfũ lġ/LIfof kmf/fd, #= kġlt kġtj ħġ, :sld \$= Dofb leq pBfũ ; #fng gePdf Dofb ykxf]kġfġof, %= ġlj s/of ePsf]kġfġof	# lbg		; Dj lġwt lhNnfj f6 cfj Zos sfuhft ; lxt l; kmfl/z e0{cfpg' kgI
@= ; fgf pBfũx?sf]cfos/ ; lawf	!= dflj l; -ġ= df pġn]vt sfuh kqx? @= Ohfht lng' kg]pBfũsf]xsdf Ohfht lnPsf]kġfġof, #= sġ]ġgsfosf]kġ {; jls[ġ l n0{ pBfũ ; #fng ug{kġI df ; f] lnPsf]kġfġof \$= pBfũ ; #fngnfo{tf]s]z tġ? k/f u/šf]kġfġof	Psáf/ ; ldltaf6 lġof6 e0{ cfPsf] % lbg leq		; Dj lġwt lhNnfj f6 cfj Zos sfuhft ; lxt l; kmfl/z e0{cfpg' kgI
#= lj bġzl sfdbf/ /fVġ]sfddf leiff / >d :jls[tsf]l; kmfl/z	lj bġzl sfdbf/ /fVġ' kg]cf]r Tosf] kġ6df0{	# lbg		cġo sfofġo; # ; dġj o ug{ kg]ePdf ; Dj lġwt sf]/fo kġkt ePk15 .
\$= uġ dġqfnojf6 cġdlt ln0 kġf/l ug{kġI sRrf kb fyšf]l; kmfl/z ; Dj ġwdf	!= o; eġbf clw sRrf kb fy{kġf/l u/šf]eP ; fšf]vkt laa/of @= :sld	# lbg		cġo zfvfj f6 /fo lng' kgI ePdf ; f]sf]ef]ġnkN6
% = pBfũsf]sRrf kb fy{vkt [Input Output Ratio]	!= pBfũ btf{kġfġof kq @= :sld	% lbg		cġo zfvfj f6 /fo lng' kgI ePdf ; f]sf]ef]ġnkN6
^= ; fgf pBfũsf]kġfġofs/of	!= pBfũ btf{kġfġof kqsf]kġltlnk @= lġj ħġ #= :sld jf b/vf:t kmf/d -v_	; fġl lbg		

### 3/ከ' tyf ; fgf pBfi sfofho sfofho

#### s\_ pBfi kzf; g

pknAw xg]; jfx?	; nlg ug{kgsfuhftx?	nllg]; do	w/f;l /sd	; nlg sdf/l
	s_ gful/stfsf]kpf0fkqsf]k tlnk v_ sDkgl ePdf sDkgl btf{; DaGwl sfuhftx? u_ Ohfht -s_ km/fd 3_ :sld a_ jftfj/of ; Af0f lgodfjnl @)%\$ sf]cg'; lr ! jf @ cg'; f/ IEE jf EIA ug{kgl ePdf IEE jf EIA k tj]bg r_ cGo lgsfosf] l; km/l; -cfjZos ePdf_ / ; /hldg drNsf	s_ sfofhoaf6 cgdlit kpf g ug{kgl efnkn6, cG0df & lbg leq .	s_ :yl/ kfl ?= % nfv ; Dd ?= !,))) v_ " ! ) " ?= @,))) u_ " @% " ?= \$,))) 3_ " %) " ?= &,))) a_ " ! s/18 " ?= !,))) r_ " ! s/f8 eGbf dfyl ?= @,)))	
@= l; -g+! cg'; f/ cgdlit kpf g ePsf pBfiux?sf] s_ kfl a[4 v_ lfdtf a[4 u_ p2]o yk 3_ 7f8; f/l a_ gfd; f/l	s_ pBfi btf{kdf0f kq v_ pBfi]sf]; zflwt :sld u_ ; zflwt Ohfht -s_ km/fd 3_ ; DaGwt s/ sfofhosf]k tlqmf -7fp; f/l / gfd; f/l]nfludfq_ a_ xs 5f8 kq -gfd; f/l]nflu_	v_ sfofhoaf6g} cgdlit kpf g ug{kgl efnkn6, cG0df & lbg leq .	s_ pkoQmf; f/ km/s /sd hDdf ug{kgl.	
#= jftfj/of ; Af0f lgodfjnl @)%\$ cg'; f/ kflDes jftfj/oflo kl/lf0f IEE ug{kgl k tj]x? :jls[tl sf] nflu l; km/l; ug]	s_ gful/stfsf]kpf0f kqsf]k tlnk v_ :sld u_ b/vf:t km/d jf lgj]bg 3 kflDes jftfj/oflo kl/lf0f]sfo{ lr a_ kflDes jftfj/oflo kl/lf0f k tj]bg r_ jftfj/of ; Af0f lgodfjnl @)%\$ sf]lgod & - @_ adf]hd b]fosf sfuhft M != uf=j=, = g=kf= / ; DaGwt lgsfodf pBfi :yfkgl ug]!% lbg]; r'gf 6fF drNsf @= pBfi :yfkgl ug]/li60 b]gs klqsdf ksf]zt !% lbg]; fj h]gs ; r'gf	! lbg leq	gnllg]	

	#= dflly -r_ sf]! / @ cg; f/ pBf]u :yfkqf ugI af/uf uf=lj =; =g=kf= sf]l; kmf/L; .			
\$= IEE :jlst ePsf pBf]ux?sf] s_ kFl a[4 v_ lfdtf a[4 u_ p2]o yk 3_ 7f]p; f/l a_ gfd; f/l	s_ b/vf:t jf lgj }bg v_ ; zfl]wt :sld u_ ; zfl]wt -v_ kmf/fd 3_ ; zfl]wt IEE k tj }bg 8_ ; DalGwt lgsfosf]:jlstl jf l; kmf/; r_ xs 5f} kq -gfd; f/l]sf]nflu_	s_ Ps lbg leq	gnflg]	
%= EIA :jlst ePsf pBf]ux?sf] s_ kFl a[4 v_ lfdtf a[4 u_ p2]o yk 3_ 7f]p; f/l a_ gfd; f/l	s_ b/vf:t jf lgj }bg v_ ; zfl]wt :sld u_ ; zfl]wt -v_ kmf/fd 3_ pBf]usf]k\$[t / p2]o cg; f/ ; zfl]wt EIA k tj }bg+ 8_ ; DalGwt lgsfosf]:jlstl jf l; kmf/; r_ xs 5f} kq -gfd; f/l]sf]nflu_	s_ Ps lbg leq	gnflg]	
^= cf0=0k tj }bg cfj Zos gkgI gof+ pBf]ux? lhNnf l:yt sfoffox?nf0{ k ofof]ht l:y/ khl ; Ddsf] pBf]u btf{.	!= lgj }bg kmf/fd -v_ @= gful/stfsf]k tlnkl #= lgj }bg b:t/ ?=%- \$=k ln=sf]sdf sDkgL /lhi6k/ sfoffojf6 k kt sfuhf]sf k tlnkl? %= cG0 lgsfosf]; xdtl kq . cfj Zostf cg; f/	Ps lbg leq	tfnl]sf cg; f/	
&= cf0=0k tj }bg cfj Zos gkgI btf{ e} ; s\$]f k/]fgf pBf]ux?sf] s_ khl a[4 v_ lfdtf a[4 u_ p2]o yk 3_ 7fp;f/l a_ gfd; f/l	!= lgj }bg kmf/fd -v_ @= b:t/ ?=%- #= s/ sfoffosf] k tlqmf 7fp;f/l / gfd; f/l]sf]nflu dfq \$= xs 5f} kq -gfd; f/l]sf]nflu_	Ps lbg leq		

/fhZj b:t/ tñlsf, kñkñ/; f-kñbtf(b:t/

kñl nufgl	kñkñ	; f-kñ	kñl nufgl	kñkñ	; f-kñ
?=@),,)))- ; Dd	?= ^).-	?=%).-	?=%),,)))- ; Dd	?=! (%).-	?= ! \$)).-
?=%),,)))- ; Dd	?=!@).-	?=!)).-	?=!),,)))- ; Dd	?#()).-	?#)).-
?=!),,)))- ; Dd	?#)).-	?=@%).-	?=%),,)))- ; Dd	?=%*%).-	?=\$%).-
?=#),,)))- ; Dd	?=!&).-	?=*%).-	; f]eGbf dfly	?=&*%).-	?=^%).-

pknJw xg]; j fx?	cfj Zos sfuhft	; fdfotof nflu]; do	nflu]/fhZj	; Dj lGwt sdf/f/L	s]kñot
* -s_ -3/ñ' pBf]usf]cfos/ ; lawf sf]nflu Ps4f/f pk ; ldltdf l; kñl/z ug]sfo{ -v_ 3/ñ' pBf]usf]cfos/ lbg]. s/ sfofñonf0{n]g].	!= pBf] bt{f{kdf0f kq, @= pBf] lg/Llf0f kñ/fd, #= kñlt kñtj ðg \$= dof b leq pBf] ; ñfng gePdf dofb yksf]kdf0f, %= l:sd	# lbg Ps áf/ pk ; lwltn]l; kñl/; u/\$f]lditn]# lbg leq			; DalGwt l] 1af6 lgl/lf0f u/L kñtj ðg kñt ePsf]xg' kg].
(= ; fgf pBf]ux?sf]cfos/ ; lawfsf]nflu Ps4f/f pk ; ldltdf l; kñl/L; ug]sfo{ ; fgf pBf]usf]cfos/ lbg]. s/ sfofñonf0{n]g].	!= dfly l; -gñ df pñn]vt sfuh kqx? @= Ohfht lng' kg]pBf]usf]xsdf Ohfht lnPsf]kdf0f, #= sg]lgsfosf]k] { : j ls[l ln0{ pBf] ; ñfng ug{k]df ; f] lnPsf]kdf0f \$= pBf] ; ñfngnf0{tf\$}f]zt{x? k/f u/\$f]kdf0f	% lbg Ps áf/ pk ; lwltn]l; kñl/; u/\$f]lditn]# lbg leq			; DalGwt l] 1af6 lgl/lf0f u/L kñtj ðg kñt ePsf]xg' kg].
!)= ux] dñqfnoj f6 cgdlt ln0 k]f/L ug{k]sRrf kb]f]sf]l; kñl/z	!= o; eGbf clw sRrf kb]f]{k]f/L u/\$f]eP ; f]f]vkt laa/0f @= :sld	# lbg			

; Dj Gwdf lj efudf l; knf/L; ugI sfo{	#= ; Dj lGwt lhNnf kzf; g sfoffhosf] l; knf/; \$= pBfU bt{kdfofkqsf]knf\$kl %= sfoffhosf]l; knf/; ; lxtsf] pBfU lgl/lfof kljtj bG				
!= pBfU]sf]sRrf kbfy{vkt [Input Output Ratio] lGwf{Of ; DaGwl lj efudf l; knf/L; ugI sfo{	!= pBfU bt{kdfof kq @= :sld #= lGwf{/t knf/fd	@ lbg			
!@= pBfU :yfkqf tyf ; #fng ; Dj Gwl klj lws tyf Joj :yfkq / jftfj /of ; Afof jf/] k/fdz{ ; ]f kbfg ugI	l; w)knf6df ; Dks{ugI	tIsfn -! lbg_	gnflg]		
!#= ; #fngdf /x\$ f pBfUx?sf] :ynut lgl/lfof tyf cgludg ugI/ cfjZostf cg'f/ klj lws tyf Joj :yfkq ; Dj Gwl /fo ; emj kbfg ugI	pBfU l tyf pBfU jf kl lglwx?n] zfvdf ; Dks{/fVg].	# lbg	gnflg]		
!\$= pBfU bt{Ohfht ; lawf cflb ; Dj Gwl k/\$f lGj bGx? dfly klj lws,jftfj /of tyf Joj :yfkq ; Dj Gwl /fo kbfg ugI	pBfU n] kZ u/\$f sfuhft h:t} pTkfbg xg] j :tsf] gfd, pTkfbg k\$of,d]zg cfnf/,sRrf kbfy{?sf] laa/of cflb ; dfj Z xg' kgI	! lbg	gnflg]	"	"

**v\_ tflnd**

	kl/ro	; DnlG ug{kg]sfuhft	5gf, lsl; d	nflg] /fhZj	lj ifo cj lw / :yfg	; Fgf kZfl; t xg] ldt
!= l; k lj sf; tflnd	lj leG lj ifosf] 5f6f] cj lw / nfd] cj lwsf] ; lk kbfg ugI . ; DkOf{ Joef/ sfoffhoaf6 Joxf]lg].	!= lGwf{/t lGj bG @= gknf gful/stfsf] kdfofkqsf] kl tlnik #= ; DaGwt uf=j= ; =g=kf=sf] l; knf/L; \$= cfjZostf cg'f/ z]lfs of]otfsf]kdfof kq	lnlvt÷ cftjftf{	gnflg]	; Fgdf pNny ul/g]	; fdfGotof aif6f ltk6s k\$zG ul/g] 5 . ->fj Of !% b]v efb !% ut]leq klxnf] k6ssf] ; Fgf sflt\$ !% b]v dfu{!% ut] leq bf]f] / df3 !%

@= pBdl lj sf; tflnd	3/ħ' tflnd kkt klzlfyl{ pBfl ; #fng u/l cfPsf / + pBfl ; #fng ug{ nfu\$fnf0{ lb0g] # xkt] Joj :yfk tflnd	!= lgwfl/t lgj ħg @= gkfnl gful/stfsf] kdf0fkqsf] kltlnk #= ; DaGwt uf=j =; =g=kf=sf] l; kmf/L; \$=cfj Zostf cg' f/ z]lfs of]otfsf]kdf0f kq	Inlvt÷ cġtjftf{ j f b j }	gnflg]	; Fgdf pNny ul/g]	b]v kmfVu0f !% ut] leq t}f]; Fgf_
#= ; xeflutf dhs l; k lj sf; tflnd	lj leġ lj ifodf cġo ; 3 ; #yfsf] ; xeflutfdf ; #fng xg] klzlf vrġf sfofnon] Joxfl/g]tflnd .	!= lgwfl/t k}tfj @= ; #y btfsf] kdf0f kqsf] kltlnk	,	gnflg]	k}tfj df pNny xg]	

**u= shf{kj}fx //**

<b>pknAw xg]; jf</b>	<b>; nlg ug[kg]sfuhft</b>	<b>; fdfġotof nflg]; do</b>	<b>nflg]/fh:j</b>
sfofnoaf6 tflnd kkt klzlfyl{?nf0{ Joj; fo ; #fng tyf lj :tf/ ug{shf{kj}fx xg s]lf lasf; a\$df l; kmf/; lbg].	!= ?= %- sf]l6s6 6f; l shf{dfu ug{ kgf\$ sf/of vhf]lgj ħg . @= gful/stf kdf0f kqsf]kltlnk . #= tflnd lnPsf]; Ssn kdf0f kq . \$= ; DalGwt uf=j =; =g=kf=sf]l; kmf/; . -lj gf lwtf]shf{dfu ul/g]eP ; DaGwt klzlfyl{sf]kdf0f kq cġoyf eP gePsf] af/]lzkmf/; kqdf k]6 pNny xg' kg]	!= cfj Zos ; k0f{sfuh kq ; lxtsf] lgj ħg kkt ePsf]ldltN]Ps xktf leq 3/ħ' tyf ; fgf pBfl sfh{kj}fx cġudg ; ldltdf k} ug] / ; f]; ldltsf]lg0f6 ePsf]# lbg	gnflg]

sg}sf/0fa; pkoQmg' f/ ; jf lbg g; lsg]ePdf ; DalGwt klfnf0{To; sf]Inlvt hfgsf/l lb0g]5 .

cg; 'L #!

>L 3/h' tyf ; fgf pBf] l j efu,  
lqk'lj /, sf7df8f}

ldlt M-

laifom- kdflofs/of af/.

g]kn ef/t j fl0fHo ; Gwlsf]k]f]n "v" sf]bknf # sf]k]f]hgsf]nflu kdflofs/of  
sfhuft pknJw u/f0 lbg' xg cg'fw 5 .

!\_ pBf]usf]gfd / 7]fgf  
@\_ pBf]usf]bt{gdj / / ldlt  
#\_ ; #fns÷Joj :yfkssf]gfd / 7]fgf  
\$\_ lgsf; L ug[a:tsf]lj j /of

j:tsf]gfd j flif\$ p]kfbg lfdtf xfn lgsf; L ug{nfu\$]kl/df0f dNo

S\_  
V\_  
U\_  
3\_  
a\_  
-

%\_ lgsf; L ul/g]e÷f/ lj Gb'  
^\_ o; clw lgsf; L u/\$]eP ; f]sf]lj j /of  
\_ j:tsf]gfd lgsf; L kl/df0f ldlt dNo

S\_  
V\_  
U\_  
3\_  
a\_  
-

&\_ cGo cfjZos lj j /of  
!\_ lgj }s cfk} pkl:yt xg}c]Vtof/j fnf pkl:yt xg]  
@\_ pBf] bt{sf]kdf0kqs]kl]tlnkl  
#\_ l:sd jf b/vf:t knf/fd v sf]kl]tlnkl

d]d]d]fly lbPsf]lj j /of l7s ; fF]kn/s k/]sfgg adf]nd ; xFif abrfpFif .

lgj }ssf]x:tf]f/

lj bzl nufgl tyf klj lw x: tfgt/of Pq @)\$( sf]cg' lr -Pqsf]bkrf # sf]pkbkrf  
\$ ; # ; Dj lGwt\_ lj bzl nufgl ug{glb0g]pBfux?sf]; rL

v08 s

- != 3/h' pBfU
- @= JoIQmut Joj ; fo -h:tf] skfn sf6g] >[f/ ugI l; nf0{ 6h]l/E, 8f0leE  
tflnd cfb] Joj ; fo\_
- #= xft xltof/ tyf v/ vhfgr pBfU
- \$= ufhl uqf af?b
- %= lj ls/of h6o kbry{-/l8of]PIS6e d6l/on; \_ ; Dj lwl pBfU
- ^= 3/ hluf vl/b lj qml Joj ; fo -lgdfqf pBfU j fx\$ \_
- &= rnlrq Joj ; fo -/fi6o tyf /fi6«efiffsf]
- \*= ; /lffTdds 5kf0{-; \$ol/6l lk|6E\_
- (= dbf tyf l; Ssf Joj ; fo

v08 v

- != vb] Joj ; fo -/6h lalhg] \_
- @= 6ken Ph]; l
- #= 6ksE Ph]; l
- \$= j f6/ ¥oflkaE
- %= kf]l 6ksE
- ^= c: j f/fx0f
- &= r/f6, lj 8l, dlb/f -( )Ü e6bf a9l lgsf; l ugIj fx\$ \_
- \*= cftl/s sl/o/ ; jf
- (= cf0lj s zIQm -P6f]ds 0ghl{
- !)= ko6s cfj f;
- !!= sv/f kfng,
- !@= df5f kfng,
- !#= df7l kfng
- !\$= k/fdz{; jf Joj ; fo Joj :yfkq, n]yf, 0[h]gl/#, sfggl h:tf Joj ; fox?\_
- !%= Jo6l kfn{
- !^= ef8fdf vfBfg s6fgl, lk; fgl / k]hfgl ug]sfo{
- !&= :yflgo Sof6l/E
- !\*= uf]dl0f ko6g

-@)%\*.%@! sf]/fhkqaf/f yk\_



3/h' tyf ; fgf pBfU laefu / cftuf sfofho tyf sfofmdx?sf]b/j Gbl laa/Of

laefu ÷sfofho	/fhkqlst						/fhkq cglst								>0fl lj lxcg		hDdf		sh hDdf	s]krot - nf]; }cf=df dfu u/\$f] eP ; f] ; d] p\Nn] ugI
	kyd		lätlo		t]lo		kyd		lätlo		t]lo		rty{		80é/	lkog ÷kfn]	k‡	kf=		
	k‡	kf=	k‡	kf=	k‡	kf=	k‡	kf=	k‡	kf=	k‡	kf=	k‡	kf=						
laefu :j]s] b/j Gbl ; Wof	!	-	@	@	&	%	!%	%	!	!	-	-	-	-	@	!@	#*	!%	%#	
3/h' tyf ; f-p-k-s]b  & sfofho :j]s] b/j Gbl ; Wof	-	-	-	@	-	@	\$	!#	!	!%	-	-	-	-	!	\$	(	##	\$@	
knfhln b/j Gbl	-	-	-	-	-	-	!	-	@	-	(	-	-	-	-	-	!@	-	!@	
c:yfol b/j Gbl s_ hg; Wof v_ xft]sfuh u_ tof/l kfzfs 3_ ; ]flds a_ 5fnf j :t'kj 4g	-	-	-	-	-	-	-	!	-	!	-	-	-	-	-	-	-	@	@	
	-	-	-	-	!	-	!	-	-	@	!	-	-	-	-	@	%	@	&	
	-	-	-	-	-	-	@	^	-	\$	-	!	-	-	!	\$	^	!@	!*	
	-	-	-	-	-	!	@	-	-	^	-	-	-	-	-	@	\$	&	!!	
	-	-	-	-	!	!	#	!	-	\$	-	-	-	-	!	@	^	&	!#	
																@!	#)	%!		

cg' lr#\$

k|/lDes jftj /oflo kl/lf0fsf]nflu k\$flzt !% lbg]; fj hlgS ; Rgf  
 =====lhNnf===== g=kf=:uf=lj=; = =====j 8f=:6f]hsf]=====  
 ls-g+ df=====p2]osf] pBf] :yfkf÷kAl, lfdtf  
 j [4÷p12]o yk÷kl/j tG ug{nfluPsf]xof pk/fQm p2]osf]pBf]n]to;  
 lf]sf]; fdlhs, cfly\$, ; f:s[ts e]ts, / /; folgs, h]j s klfd kfg{  
 ; Sg]køfj ; Dj Gwdf of]; Rgf k\$flzt ePsf]ldltn]!% lbgleq tkl; nsf]  
 :yfgdf lnlt /fo ; ømfj eP lbg'xg of]; Rgf k\$flzt ul/Psf]5 .  
 /fo ; ømfj lbg]:yfg k|tfks

gfd

7]fgf

b|6Jom- /fo ; ømfj lbg]lgsfodf sDtldf ; Dj lGwt uf=lj=; ÷g=kf= /  
 ; Dj lGwt lhNnf :tl/o 3/h' tyf ; fgf pBf] sfoffo÷; ldltsf]  
 sfoffo xg' kg]5 .